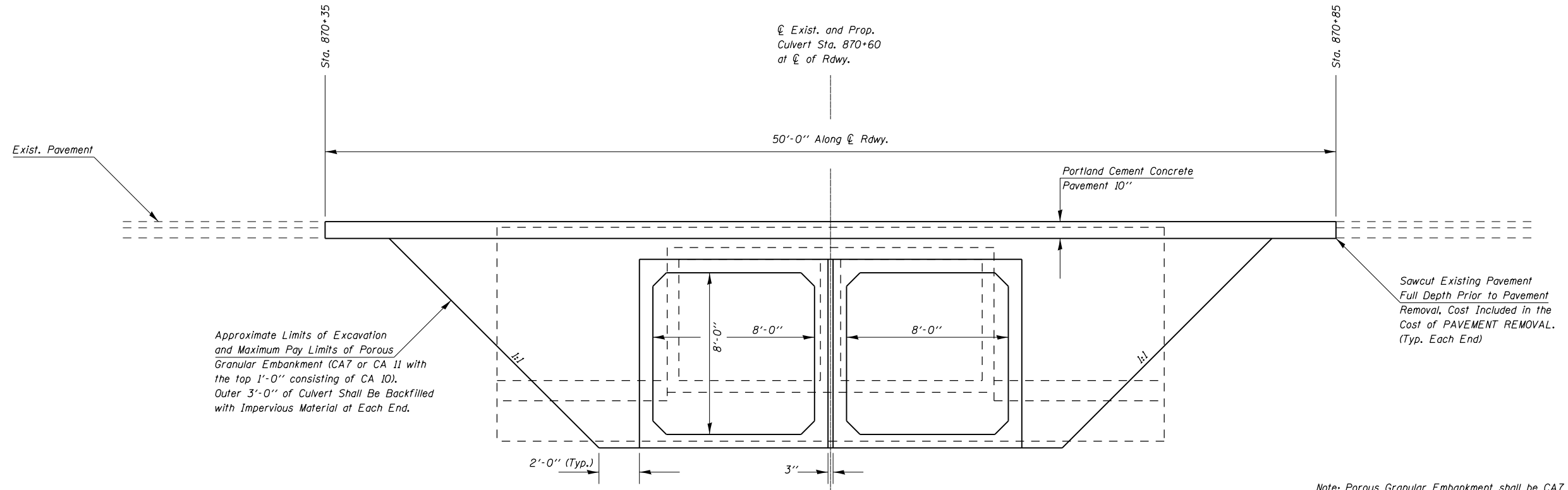
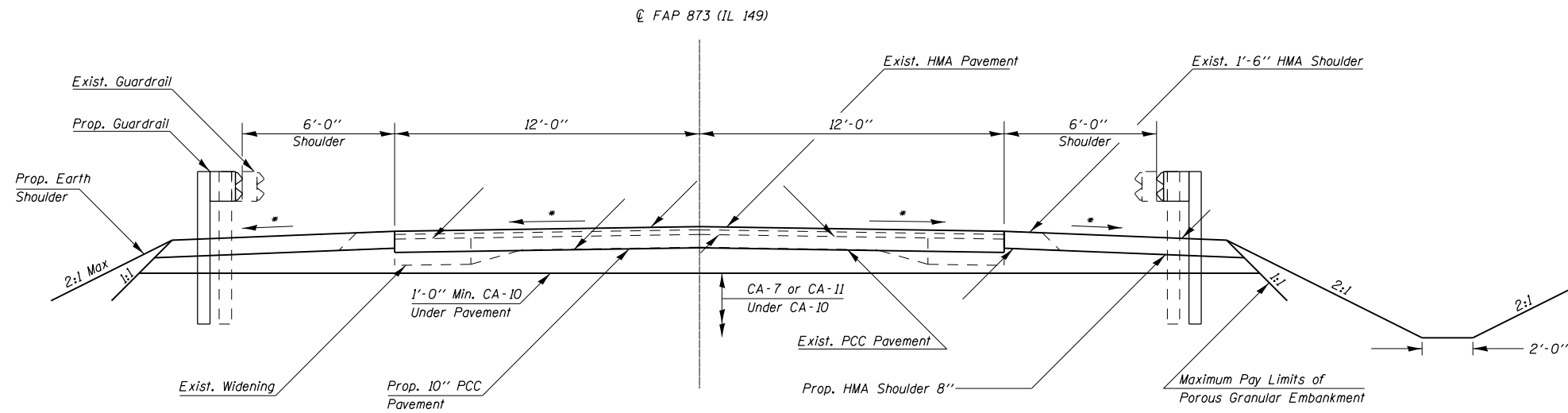


LIMITS OF POROUS GRANULAR EMBANKMENT



SECTION WITHIN PAVEMENT REMOVAL



* Match Existing Cross Slopes

FILE NAME =	USER NAME = \$USER*	DESIGNED -	REVISED -	STATE OF ILLINOIS DEPARTMENT OF TRANSPORTATION	LIMITS OF POROUS GRANULAR EMBANKMENT AT SN 028-7121 AND SECTION WITHIN PAVEMENT REMOVAL	F.A.P. RTE.	SECTION	COUNTY	TOTAL SHEETS	SHEET NO.	
		DRAWN -	REVISED -			873	107B-1	FRANKLIN	19	9	
		CHECKED -	REVISED -			CONTRACT NO. 78311					
		DATE -	REVISED -			ILLINOIS FED. AID PROJECT					
Default	PLOT DATE = 10/15/2013			SCALE:		SHEET	OF	SHEETS	STA.	TO STA.	