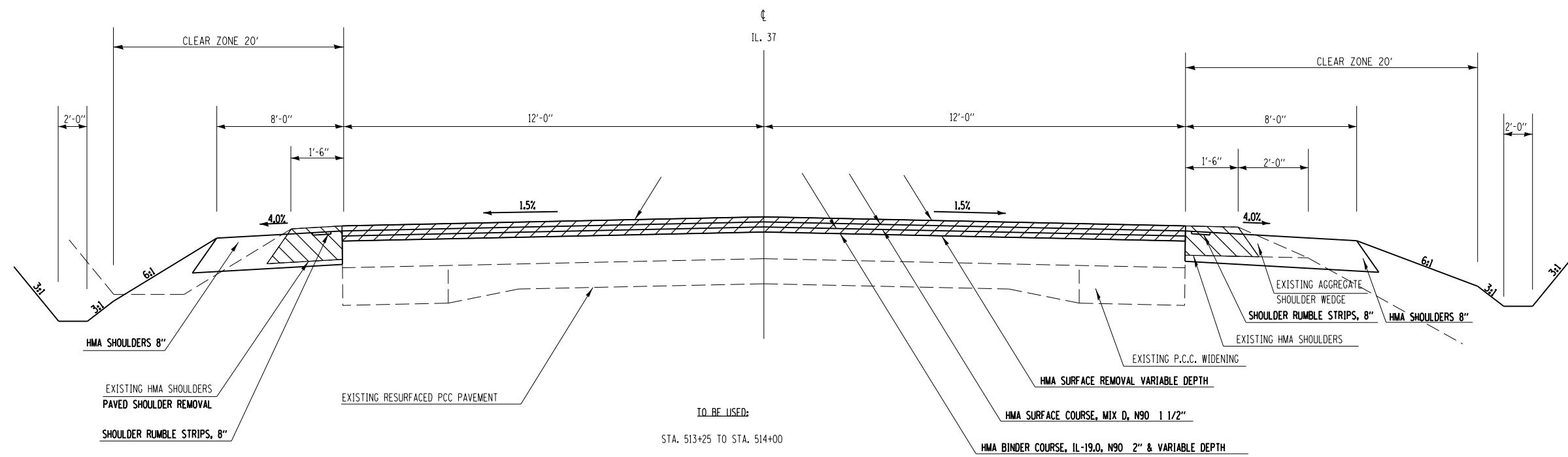


TO BE USED:  
 STA. 513+00 TO STA. 513+25



TO BE USED:  
 STA. 513+25 TO STA. 514+00

FILE NAME =	USER NAME = \$USER\$	DESIGNED -	REVISED -
ei:\pw\work\p\midot\kranz\j\0308025\78320-sh\tp-sch-.tres.dgn		DRAWN -	REVISED -
Default	PLOT SCALE = 100.0000' / 1in.	CHECKED -	REVISED -
	PLOT DATE = 10/18/2013	DATE -	REVISED -

**STATE OF ILLINOIS  
 DEPARTMENT OF TRANSPORTATION**

<b>TYPICALS</b>			
SCALE:	SHEET	OF SHEETS	STA. TO STA.

F.A.P. RTE.	SECTION	COUNTY	TOTAL SHEETS	SHEET NO.
726	D9 SAFETY 2013-1	WILLIAMSON	112	10
CONTRACT NO. 78320				
ILLINOIS FED. AID PROJECT				