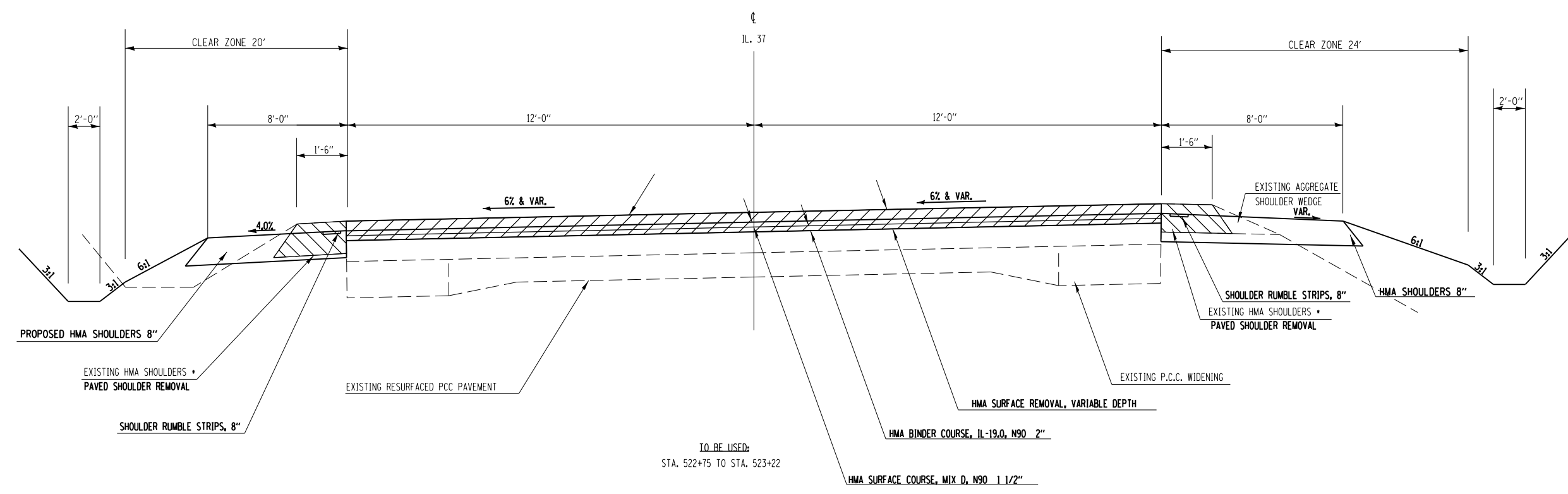


•• 3:1 SLOPE STA. 518+38 TO STA. 519+75



• SHOULDER ENDS AT STA. 523+16.4

FILE NAME =	USER NAME = \$USER\$	DESIGNED -	REVISED -	STATE OF ILLINOIS DEPARTMENT OF TRANSPORTATION	TYPICALS			F.A.P. RTE.	SECTION	COUNTY	TOTAL SHEETS	SHEET NO.	
Default	Default	DRAWN -	REVISED -					726	D9 SAFETY 2013-1	WILLIAMSON	112	12	
	PLOT SCALE = 100.0000' / 1".	CHECKED -	REVISED -		SCALE:	SHEET	OF	SHEETS	STA.	TO	STA.	CONTRACT NO. 78320	
	PLOT DATE = 10/18/2013	DATE -	REVISED -		ILLINOIS FED. AID PROJECT								