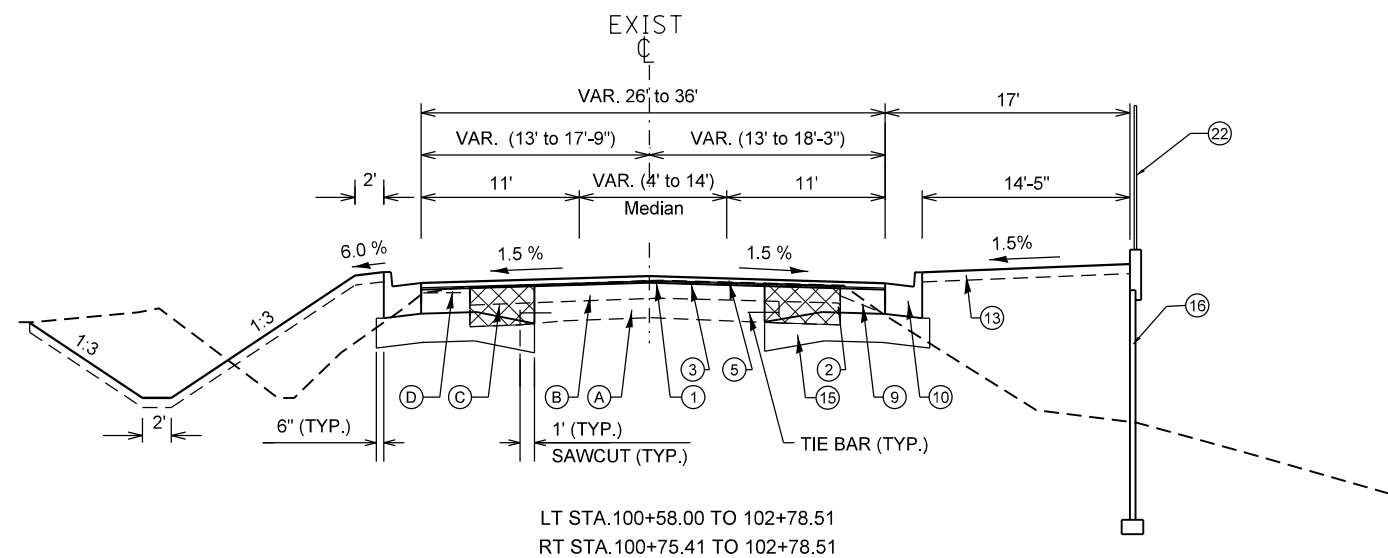


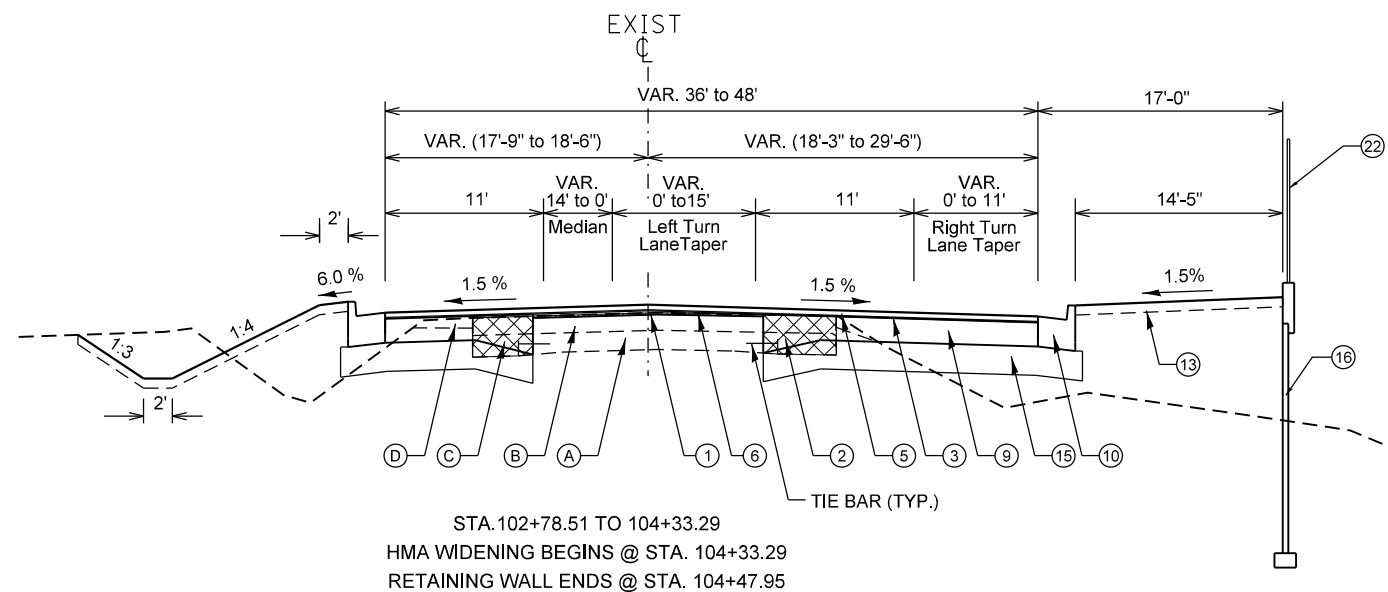
LEGEND - EXISTING:

- (A) P.C.C. PAVEMENT (9-6-9)
- (B) H.M.A. OVERLAY (5" AND VAR.)
- (C) H.M.A. BASE CSE / BASE CSE WIDENING 9"
- (D) AGGREGATE SHOULDERS
- (E) PCC SIDEWALK
- (F) SUB - BASE



LEGEND - PROPOSED:

- (1) H.M.A. SURFACE REMOVAL 3/4"
- (2) PAVEMENT REMOVAL
- (3) POL. LEVELING BINDER (MM), IL 4.75, N50, 3/4"
- (4) H.M.A. BASE COURSE 6"
- (5) POL. H.M.A. SURFACE COURSE, MIX "E", N50, 2"
- (6) POL. H.M.A. BINDER COURSE, IL 19, N70 (VAR. DEPTH)
- (7) H.M.A. BASE COURSE 7.5"
- (8) H.M.A. BASE COURSE 10"
- (9) P.C.C. BASE COURSE 10"
- (10) COMB. CONC. CURB & GUTTER TYPE B 6-24
- (11) PCC SIDEWALK 4"
- (12) PCC SIDEWALK 4" (SPECIAL)
- (13) TOPSOIL FURNISH AND PLACE 4"
- (14) AGGREGATE SUBGRADE IMPROVEMENT, 4"
- (15) AGGREGATE SUBGRADE IMPROVEMENT, 12"
- (16) M.S.E. RETAINING WALL
- (17) GUARDRAIL AGGREGATE EROSION CONTROL
- (18) AGGREGATE SHOULDER TYPE B, 6"
- (19) STEEL PLATE BEAM GUARDRAIL
- (20) CONCRETE STRUCTURE
- (21) H.M.A. SHOULDERS 8"
- (22) CHAIN LINK FENCE



| | | | | | | | | | | | | |
|--|----------------------|------------|-----------|---|--------------------------------------|----|--------|---------------------------|-----------|--------|--------------|-----------|
| FILE NAME = | USER NAME = crespole | DESIGNED - | REVISED - | STATE OF ILLINOIS DEPARTMENT OF TRANSPORTATION | IL RTE 91 TYPICAL SECTION | | | F.A.S. RTE. | SECTION | COUNTY | TOTAL SHEETS | SHEET NO. |
| et:\pw\work\p\midot\crespole\d0330150\048792-sht-typical.dgn | | DRAWN - | REVISED - | | | | | 1380 | 7W-1,RS-3 | Peoria | 617 | 22 |
| PLOT SCALE = 100.0000' / 1" | | CHECKED - | REVISED - | | | | | CONTRACT NO. 88792 | | | | |
| PLOT DATE = 8/15/2013 | | DATE - | REVISED - | | | | | ILLINOIS FED. AID PROJECT | | | | |
| | | | | SCALE: | SHEET NO. | OF | SHEETS | STA. | TO STA. | | | |