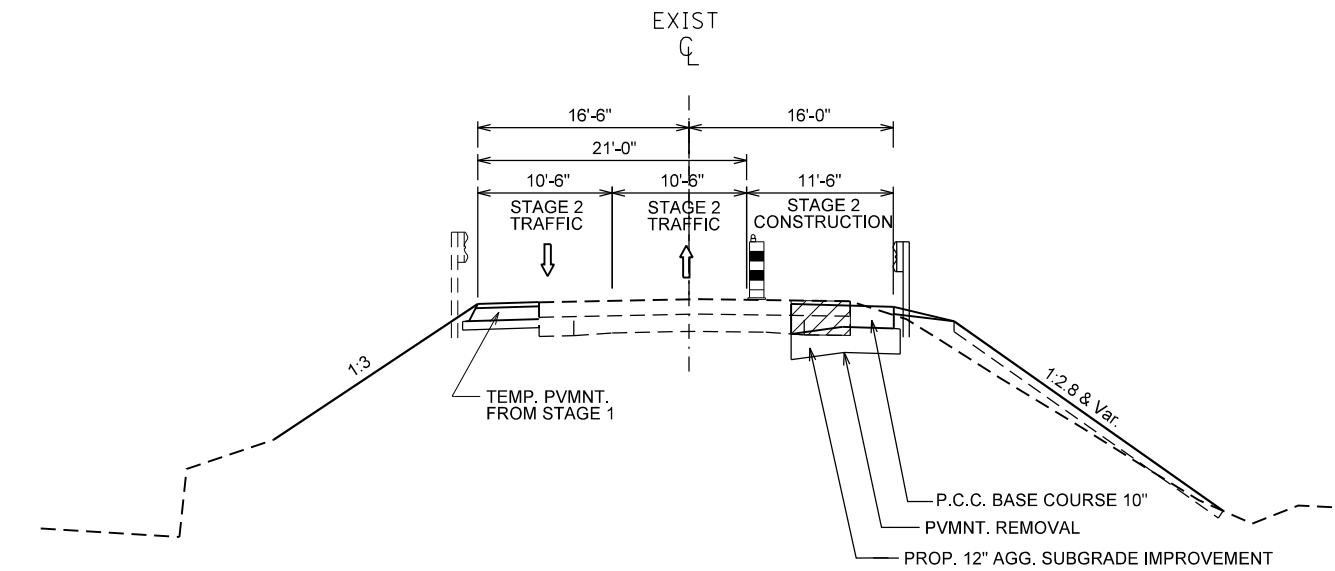
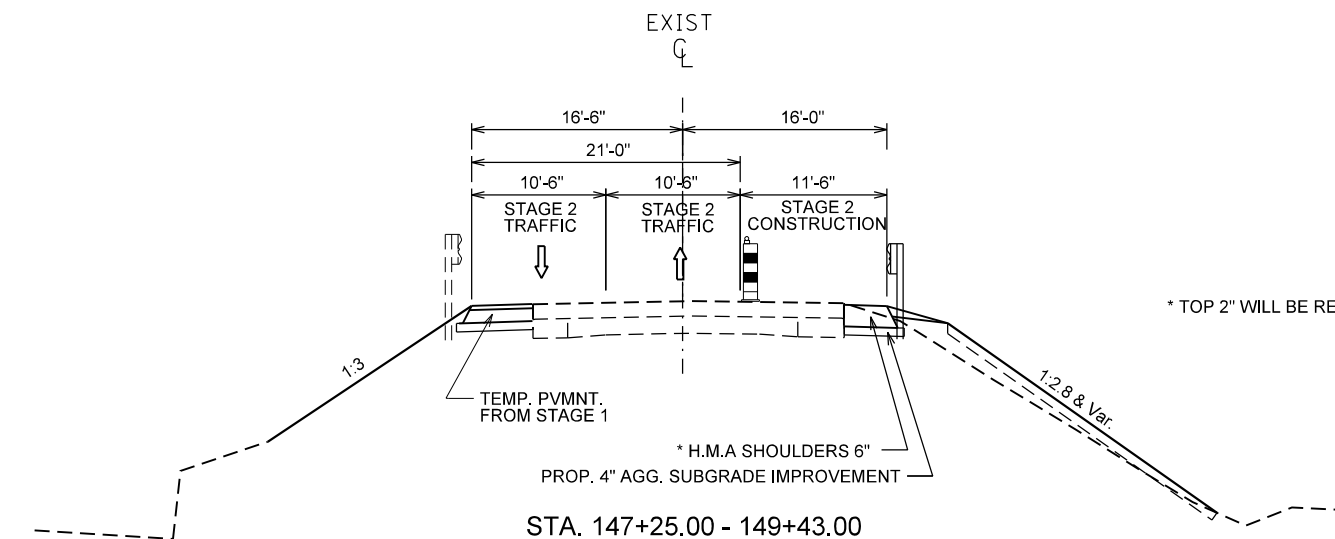


STA. 145+10.00 - 146+90.00



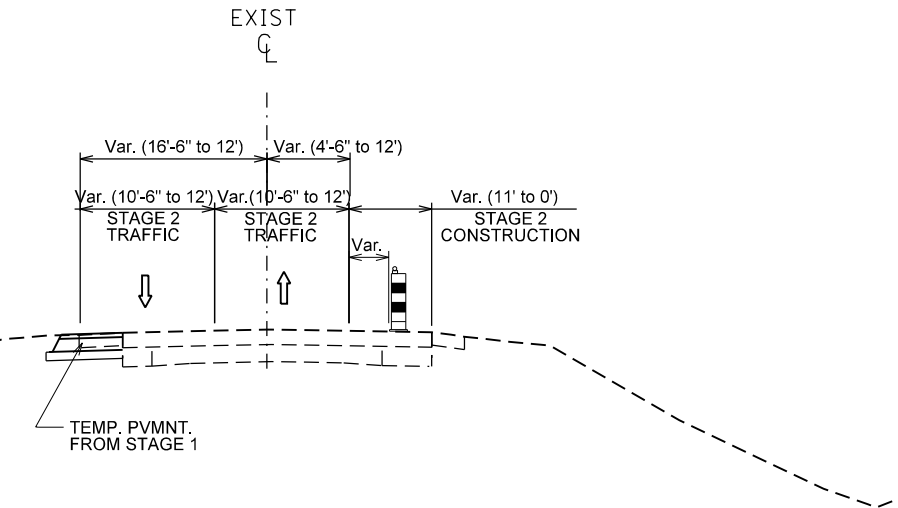
STA. 146+90.00 - 147+25.00



STA. 147+25.00 - 149+43.00

* TOP 2" WILL BE RESURFACED DURING THE FINAL STAGE

* H.M.A SHOULDERS 6"



STA. 149+43.00 - 152+00.00

FILE NAME =	USER NAME = crespole	DESIGNED -	REVISED -
et:\pw\work\p\dot\crespole\d0348685\048792-sht-stage typical.dgn		DRAWN -	REVISED -
PLOT SCALE = 15.0000' / in.		CHECKED -	REVISED -
PLOT DATE = 8/15/2013		DATE -	REVISED -

**STATE OF ILLINOIS
DEPARTMENT OF TRANSPORTATION**

**IL 91 STAGE 2
TYPICAL SECTIONS**

SCALE: SHEET OF SHEETS STA. TO STA.

F.A.S. RTE.	SECTION	COUNTY	TOTAL SHEETS	SHEET NO.
1380	7W-1,RS-3	Peoria	617	116
ILLINOIS FED. AID PROJECT			CONTRACT NO. 88792	