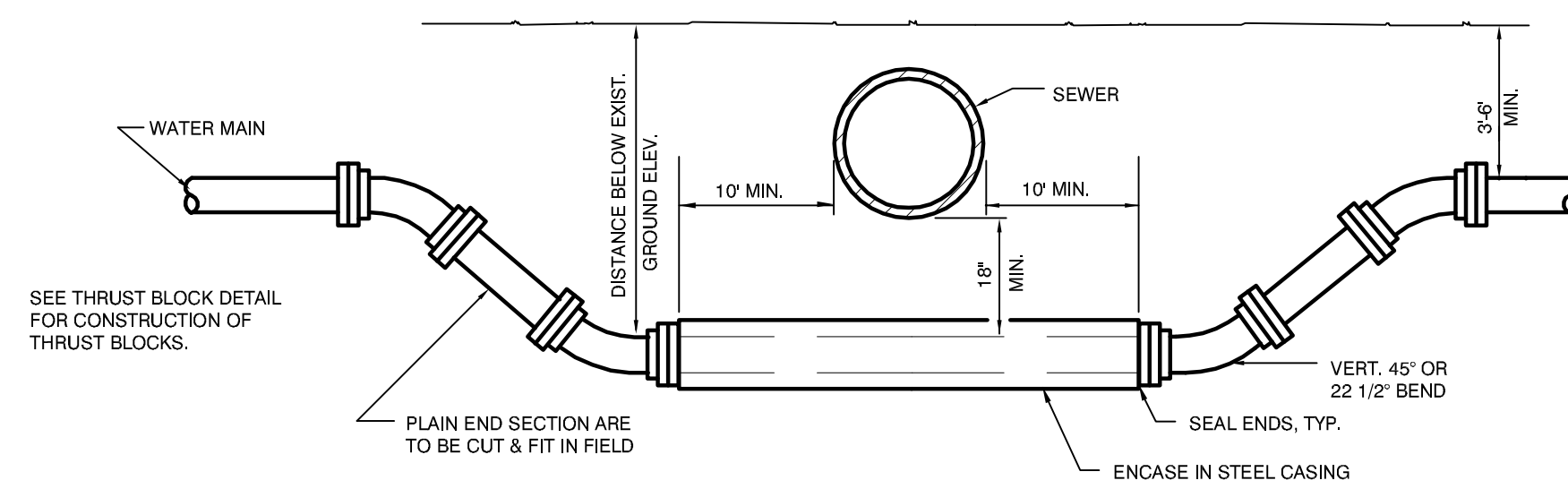
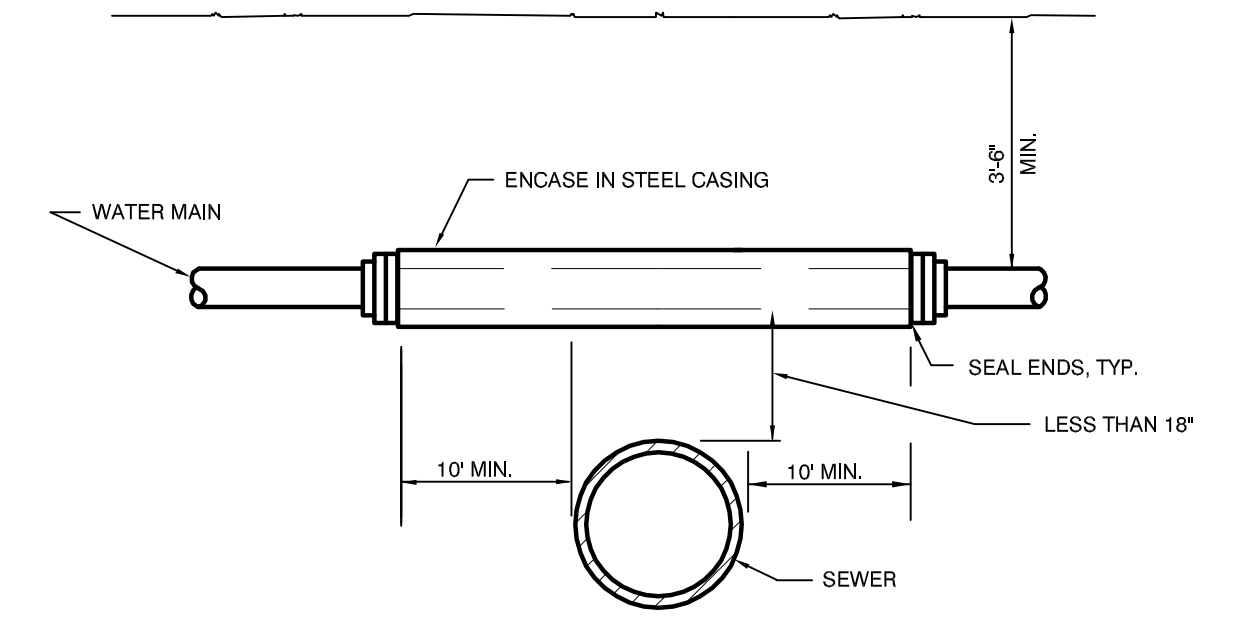


**TYPICAL THRUST BLOCK INSTALLATIONS**

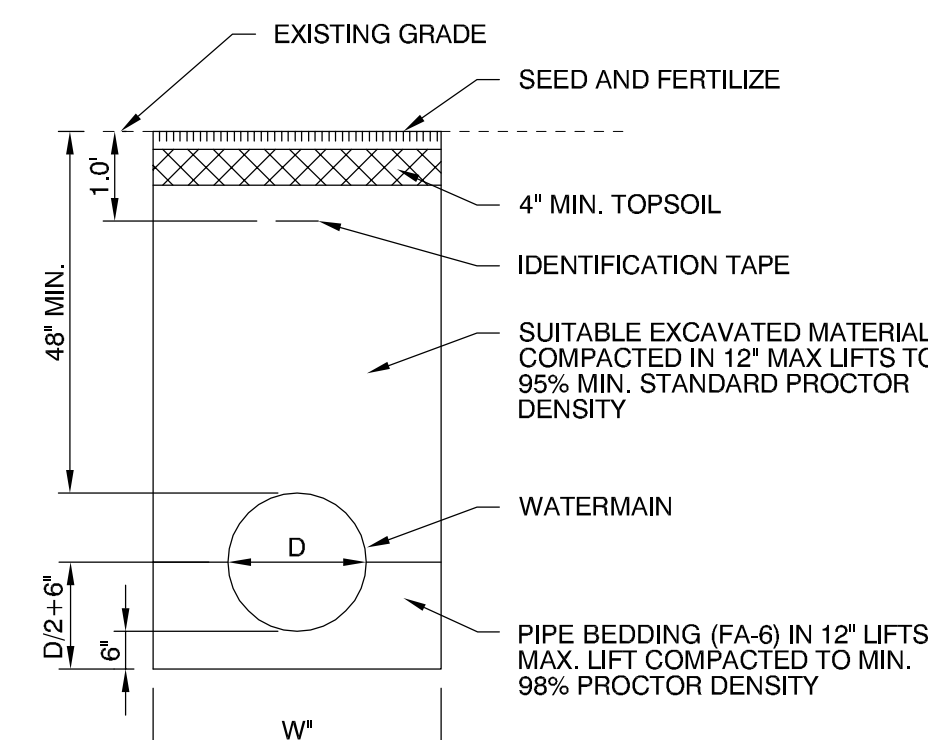
NOTES:  
 ALL BLOCKS BEAR AGAINST UNDISTURBED EARTH.  
 ARROWS INDICATE DIRECTION OF THRUST.  
 ALL BLOCKS TO BE 3000 P.S.I. CONCRETE.  
 ALL FITTINGS SHOWN IN PLAN EXCEPT VERTICAL BEND.



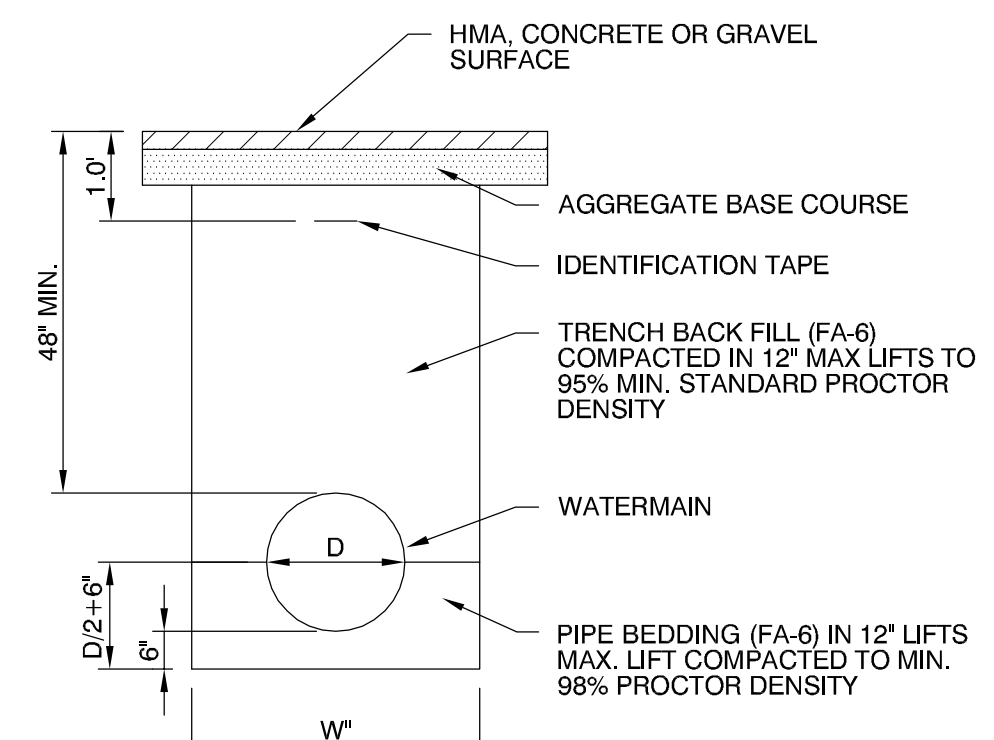
**WATER MAIN CROSSING UNDER SEWER VERTICAL OFFSET DETAIL**  
 SCALE: N.T.S.



**WATER MAIN CROSSING OVER SEWER LESS THAN 18" CLEARANCE**  
 SCALE: N.T.S.

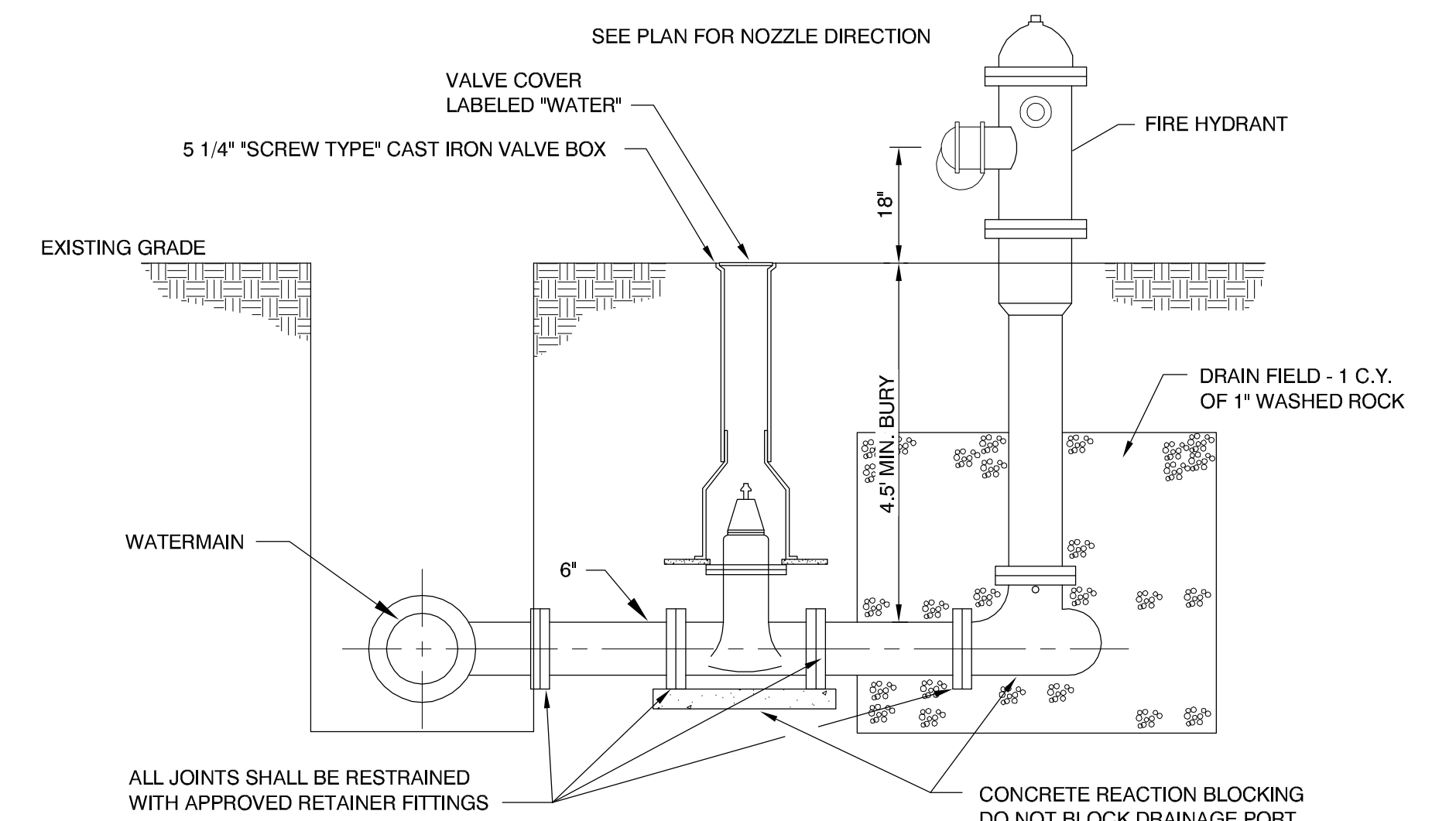


**WATERMAIN TRENCH DETAIL CASE 1**  
 NOT TO SCALE



**WATERMAIN TRENCH DETAIL CASE 2**  
 NOT TO SCALE

DIAMETER	WIDTH
4" OR LESS	18"
6"	21"
8"	24"



**TYPICAL FIRE HYDRANT AND VALVE BOX INSTALLATION**  
 NOT TO SCALE

DESIGNED	WFS	REVISED
DRAWN	DEH	REVISED
CHECKED	WFS	REVISED
DATE	08-30-13	REVISED

F.A. ROUTE	SECTION	COUNTY	TOTAL SHEETS	SHEET NO.
1380	7W-1, RS-3	PEORIA	617	271
CONTRACT NO. 88792				
ILLINOIS FEDERAL ROAD DIST NO.				