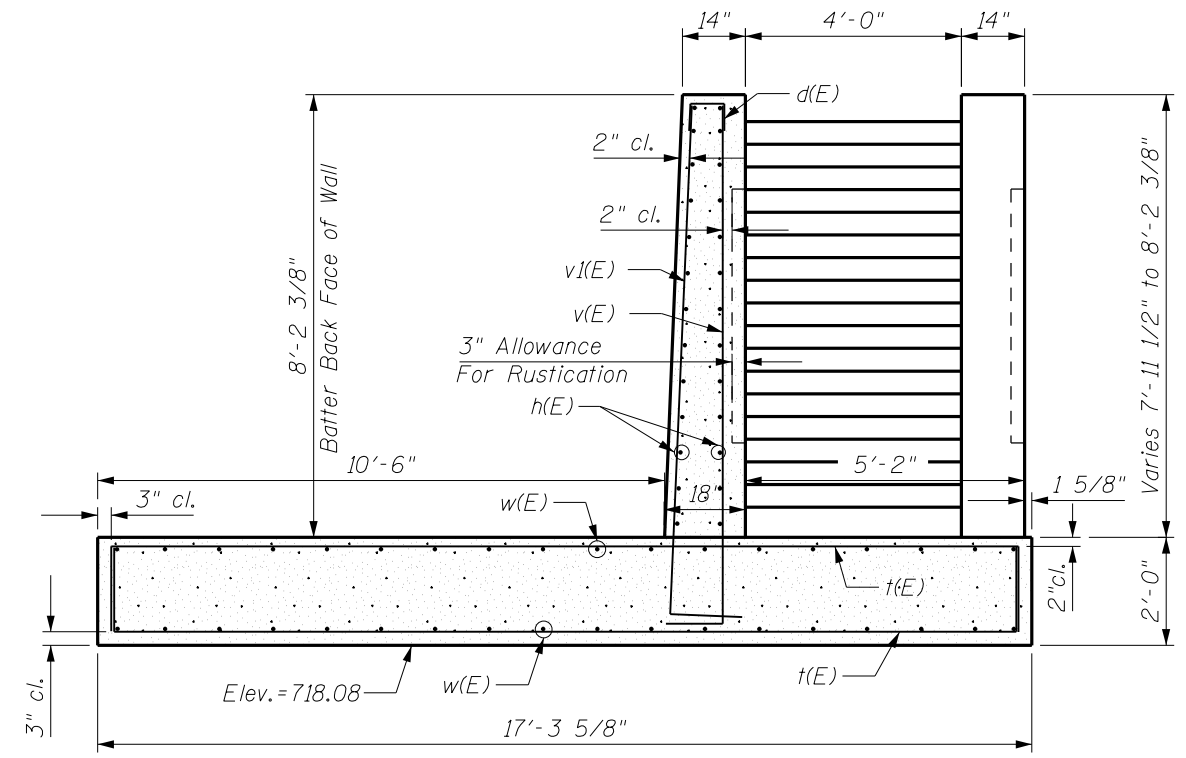
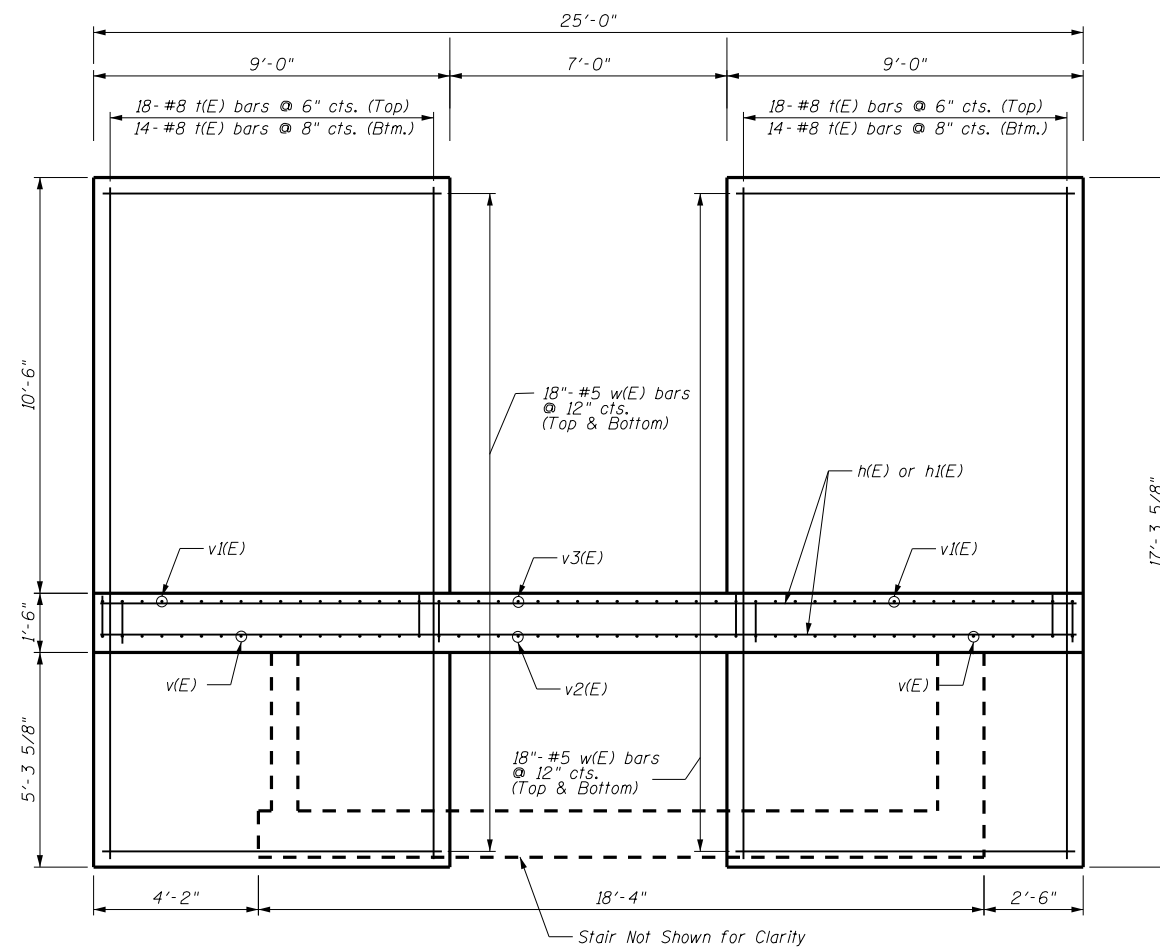


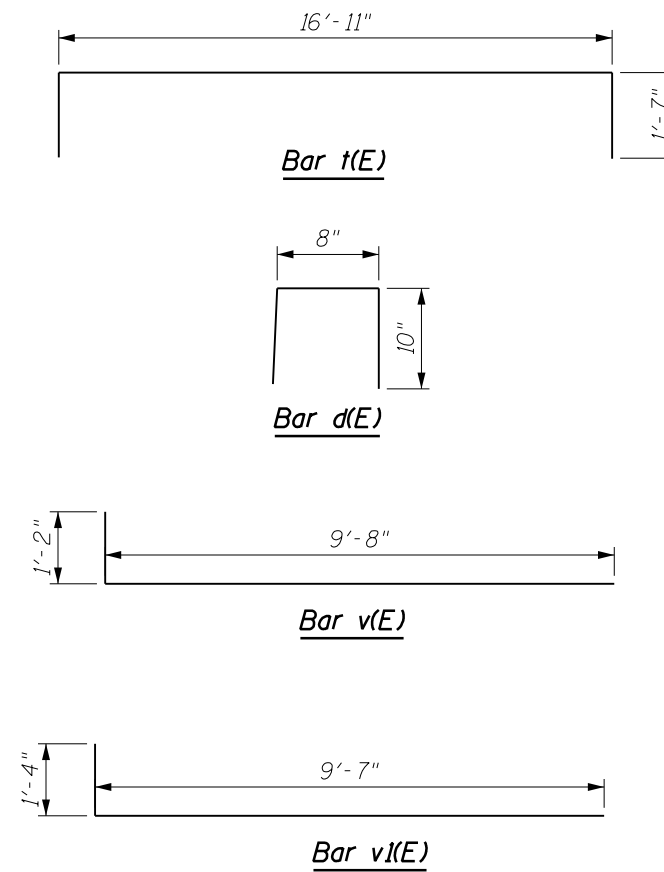
PANEL 17 - ELEVATION



SECTION A-A



PANEL 17 - PLAN



BILL OF MATERIALS

Bar	No.	Size	Length (ft)	Shape
d(E)	41	#5	2'-4"	□
h(E)	22	#6	24'-6"	—
h1(E)	4	#6	24'-6"	—
t(E)	64	#8	20'-1"	□
v(E)	36	#6	10'-10"	—
v1(E)	36	#6	10'-11"	—
v2(E)	14	#6	7'-9"	—
v3(E)	14	#6	7'-10"	—
w(E)	36	#5	8'-6"	—
Reinforcement Bars, Epoxy Coated			Lbs.	6,311
Concrete Structure			Cu Yd	33.00

FILE NAME =	USER NAME = crespole	DESIGNED -	REVISED -
c:\pwork\work\pwork\crespole\d0330150\0489792-sht-details.dgn		DRAWN -	REVISED -
Default	PLOT SCALE = 40.0000' / in.	CHECKED -	REVISED -
	PLOT DATE = 8/15/2013	DATE -	REVISED -

STATE OF ILLINOIS  
DEPARTMENT OF TRANSPORTATION

PANEL 17 - WALL DETAILS  
STA. 103 + 78.09 TO 104 + 03.00

SCALE: SHEET 5 OF 13 SHEETS STA. TO STA.

F.A.S. RTE.	SECTION	COUNTY	TOTAL SHEETS	SHEET NO.
1380	7W-1,RS-3	Peoria	617	303
ILLINOIS FED. AID PROJECT			CONTRACT NO. 88792	