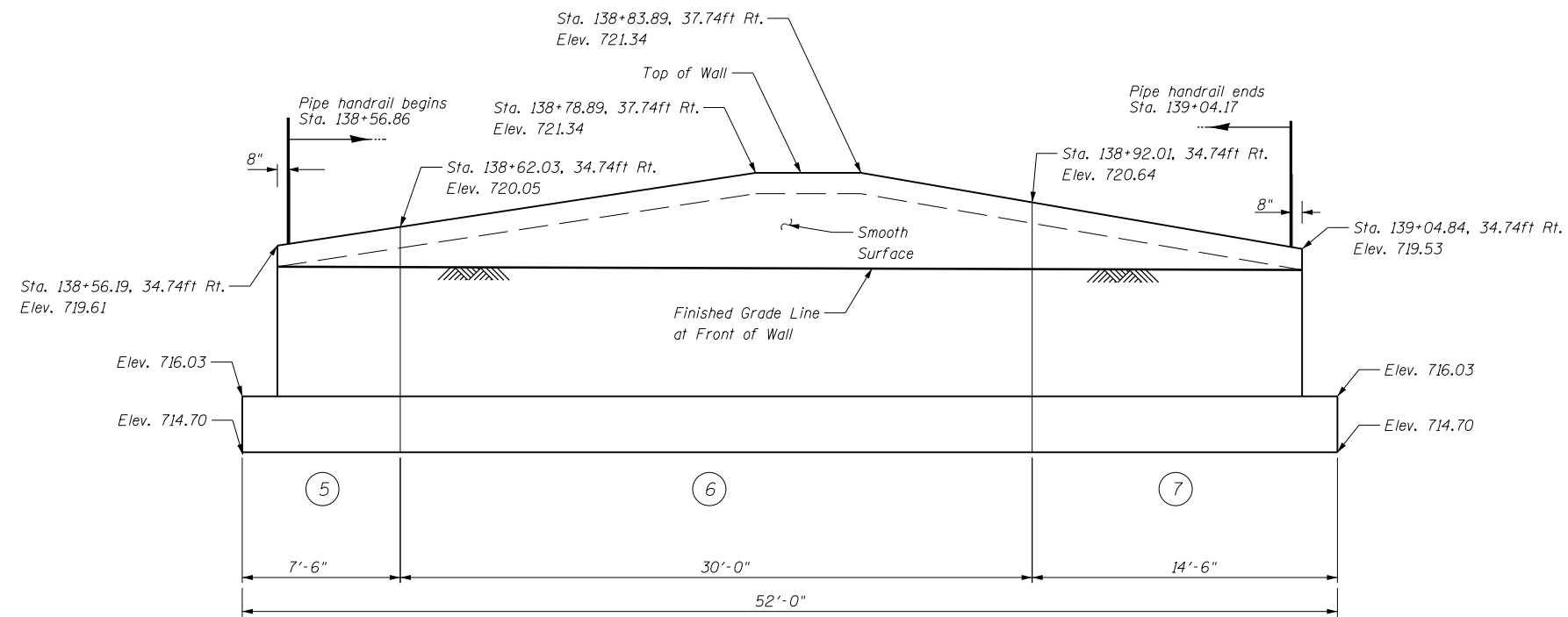


ELEVATION

Panels 1-4



ELEVATION

Panels 5-7

FILE NAME =	USER NAME = crespole	DESIGNED -	REVISED -	STATE OF ILLINOIS DEPARTMENT OF TRANSPORTATION	WALL ELEVATION PLANS			F.A.S. RTE.	SECTION	COUNTY	TOTAL SHEETS	SHEET NO.
Default	Plot Scale = 40.0000' / in.	DRAWN -	REVISED -		RT. STA. 138 + 32.06 - 139 + 45.74			1380	7W-1,RS-3	Peoria	617	323
	PLOT DATE = 8/15/2013	CHECKED -	REVISED -		SCALE:	SHEET 3	OF 9 SHEETS	STA.	TO STA.	CONTRACT NO. 88792		
		DATE -	REVISED -		ILLINOIS FED. AID PROJECT							