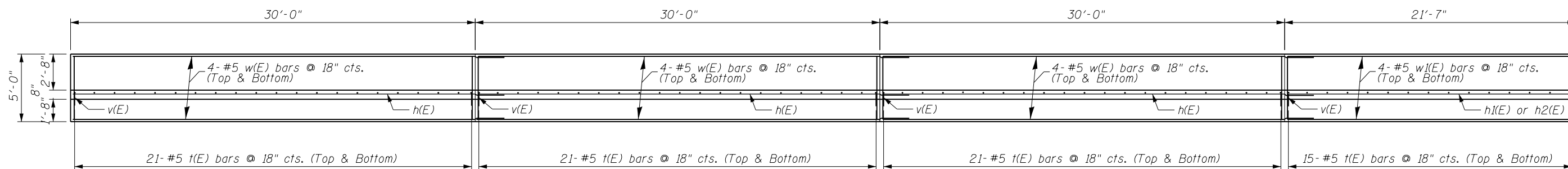
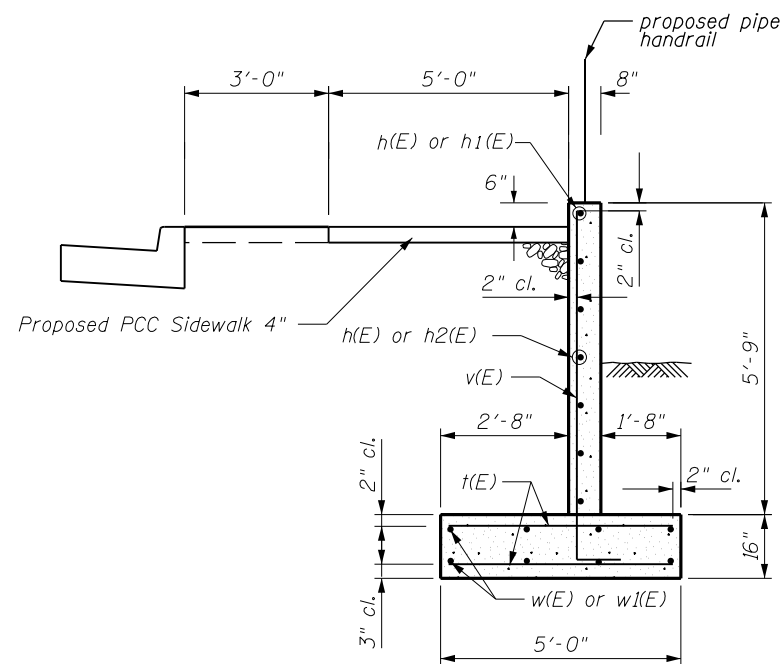


**ELEVATION - PANEL 1 THRU 4**

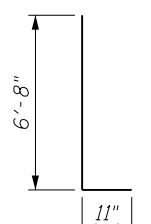


**PLAN - PANEL 1 THRU 4**



**SECTION A-A**

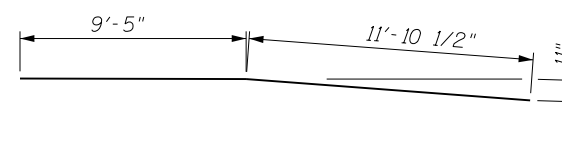
Panel 1, 3 & 4



**Bar v(E)**

**Min. Bar Lap**

#5 Bars - 2'-2"



**Bar h1(E)**

**BILL OF MATERIALS**

Bar	No.	Size	Length (ft)	Shape
h(E)	18	#5	32'-1"	—
h1(E)	1	#5	21'-3 1/2"	⤴
h2(E)	5	#5	21'-3"	—
t(E)	156	#5	4'-8"	—
v(E)	78	#5	7'-8"	└
w(E)	24	#5	32'-0"	—
w1(E)	8	#5	21'-3"	—
Reinforcement Bars, Epoxy Coated			Lbs.	3,098
Concrete Structure			Cu Yd	43.50

**Min. Bar Lap**

#5 Bars - 2'-2"

FILE NAME =	USER NAME = crespole	DESIGNED -	REVISED -
et:\pw_work\p\d0330150\048792-sht-details.dgn		DRAWN -	REVISED -
Default	PLOT SCALE = 40.0000' / in.	CHECKED -	REVISED -
	PLOT DATE = 8/15/2013	DATE -	REVISED -

**STATE OF ILLINOIS  
DEPARTMENT OF TRANSPORTATION**

**WALL DETAILS  
RT. STA. 142+91.48 - 144+03.06**

SCALE: SHEET 3 OF 9 SHEETS STA. TO STA.

F.A.S. RTE.	SECTION	COUNTY	TOTAL SHEETS	SHEET NO.
1380	7W-1,RS-3	Peoria	617	329
ILLINOIS FED. AID PROJECT			CONTRACT NO. 88792	