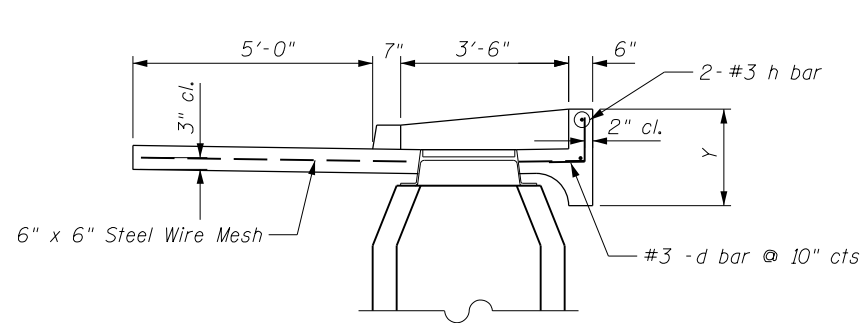
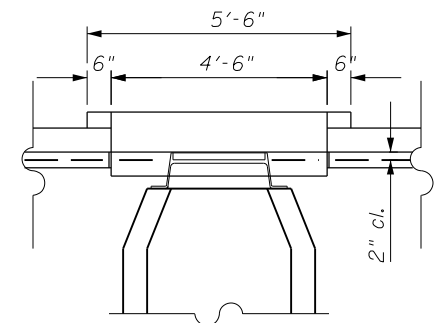


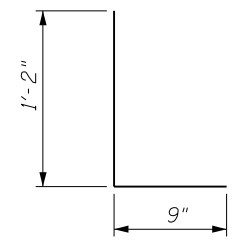
Plan View Detail
Not to scale



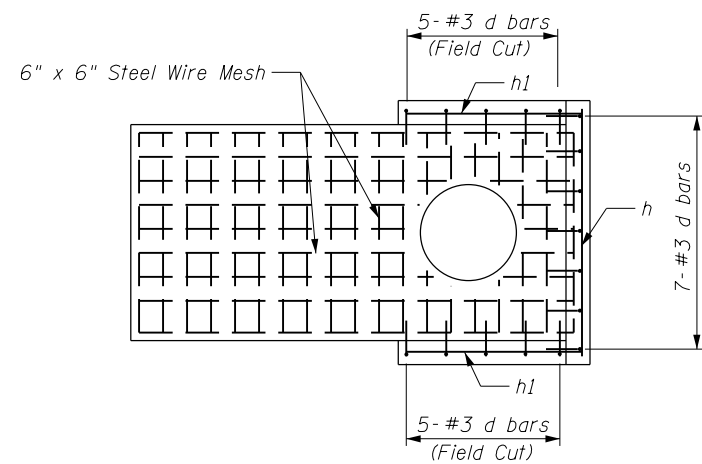
Section A-A
Not to scale



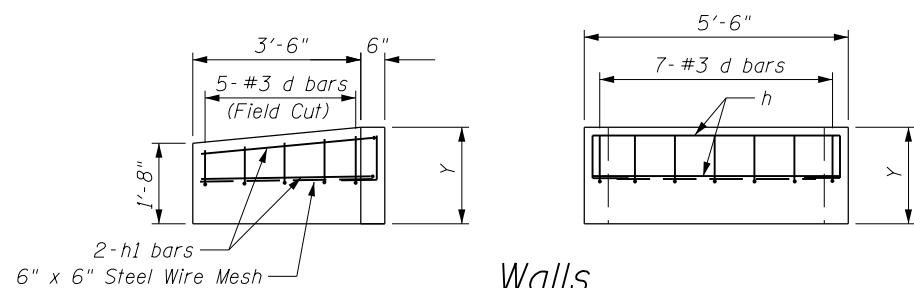
Section B-B
Not to scale



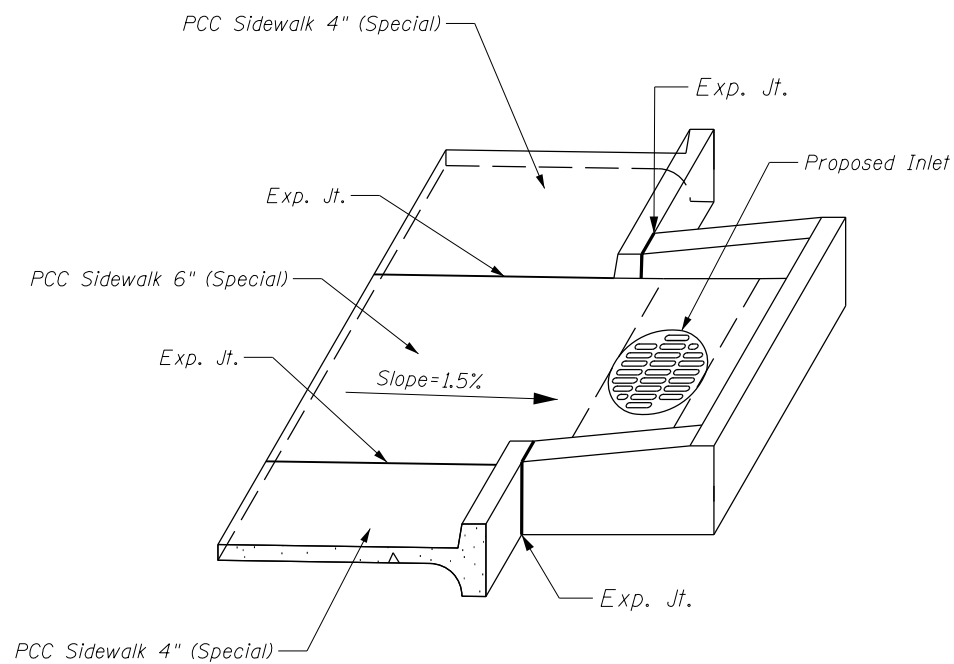
Bar "d"
Not to scale



Plan Reinforcement
Not to scale



Walls Reinforcement
Not to scale



Isometric Detail
Not to scale

FOR INFORMATION ONLY
BILL OF MATERIALS PER LOCATION

Bar	No.	Size	Length (ft)	Shape
d	10	#3	1'-11"	└─┘
h	2	#3	5'-2"	—
h1	4	#3	3'-8"	—
Reinforcement Bars,			Lbs.	16.63
6" X 6" Steel Wire Mesh			Sq. Ft.	38.00
Class SI Concrete			Cu. Yd.	1.25

FOR INFORMATION ONLY

Location	"y" (Foot)	Type of Drainage Structure
Lt. Sta. 121+71.22	2'-0"	Inlet type B
Lt. Sta. 122+00.00	2'-3"	Inlet type B
Lt. Sta. 122+44.57	2'-0"	Inlet type B
Lt. Sta. 123+43.31	2'-0"	Inlet type A
Lt. Sta. 129+46.86	2'-1"	Inlet type B
Lt. Sta. 129+98.46	2'-2"	Inlet type B
Lt. Sta. 130+46.49	2'-0"	Inlet type A
Lt. Sta. 132+25.00	2'-0"	Inlet type A
Total Reinforcement Bars,	Lbs.	133.00
Total 6" X 6" Steel Wire Mesh (For Information Only)	Sq. Ft.	304.00
Total Class SI Concrete	Cu. Yd.	10.00