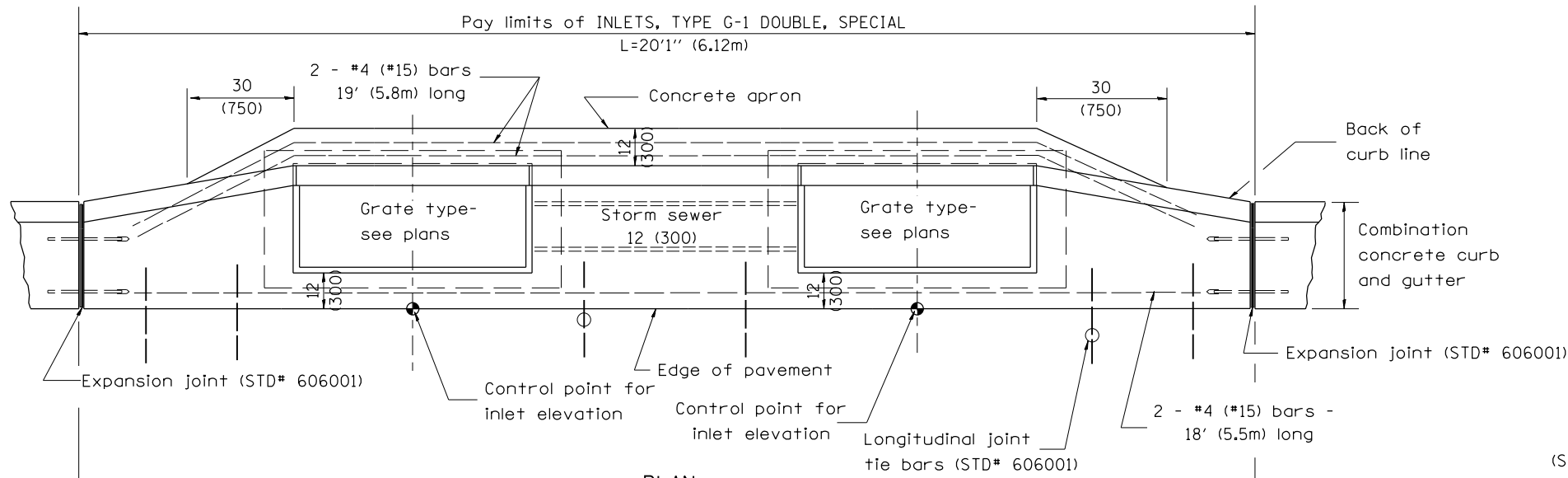
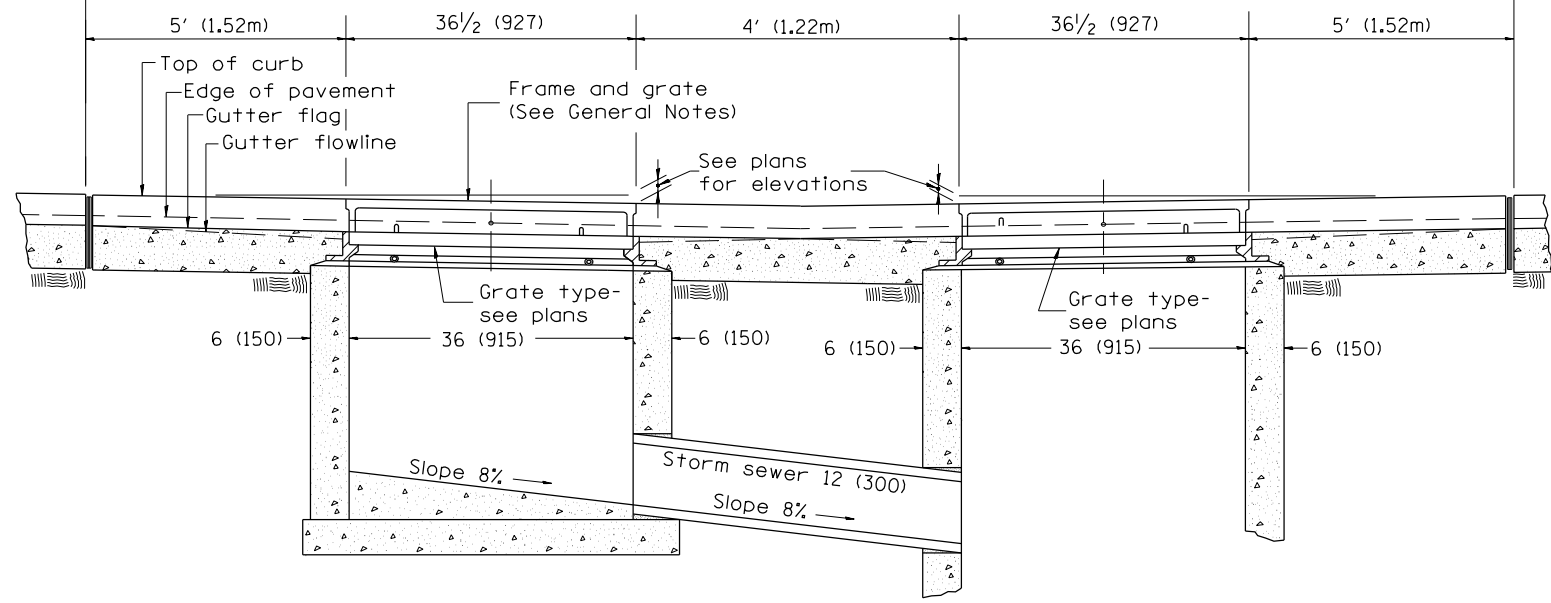


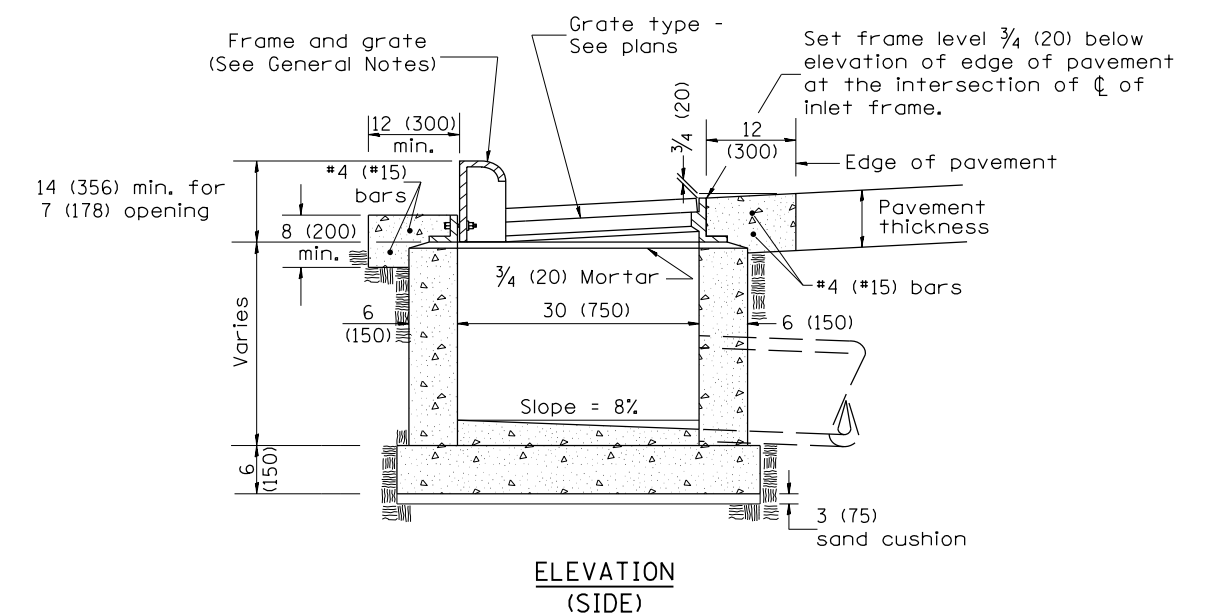
DESIGNER NOTES: 1. Include State Standard 606001 for combination concrete curb and gutter details.  
 2. Include State Standard 420001 for pavement joints.  
 3. Include District CADD Standard for frame and grates.  
 4. Include District Special Provision. Pay item includes transitional c.c.c & g., inlet and frame and grate. All work within pay limits.  
 5. Specify grate type in plans.



PLAN



FRONT ELEVATION



ELEVATION (SIDE)

GENERAL NOTES

1. Inlet construction shall be in accordance with Section 602 of the Standard Specifications.
2. Combination Concrete Curb & Gutter shall be constructed in accordance with Section 606 of the Standard Specifications.
3. See District CADD Standard 604001-D4 for frame and grates.

All dimensions are in inches (millimeters) unless otherwise noted.

01-01-97	RENUM. B-4.04, NEW REVISION BOX	T.P.					
04-01-97	CORRECT DIMENSIONS	J.A.					
10-99	REVISION TO GENERAL NOTES	J.A.					
10-16-06	REVISED TO 2007 SPEC.	M.A.					

STATE OF ILLINOIS  
DEPARTMENT OF TRANSPORTATION

INLETS, TYPE G-1 DOUBLE, SPECIAL

NOT TO SCALE

CADD STD. 602016-D4

F.A. RTE.	SECTION	COUNTY	TOTAL SHEETS	SHEET NO.
1380	7W-1, RS-3	PEORIA	617	356
FED. ROAD DIST. NO. ILLINOIS FED. AID PROJECT			CONTRACT NO. 88792	