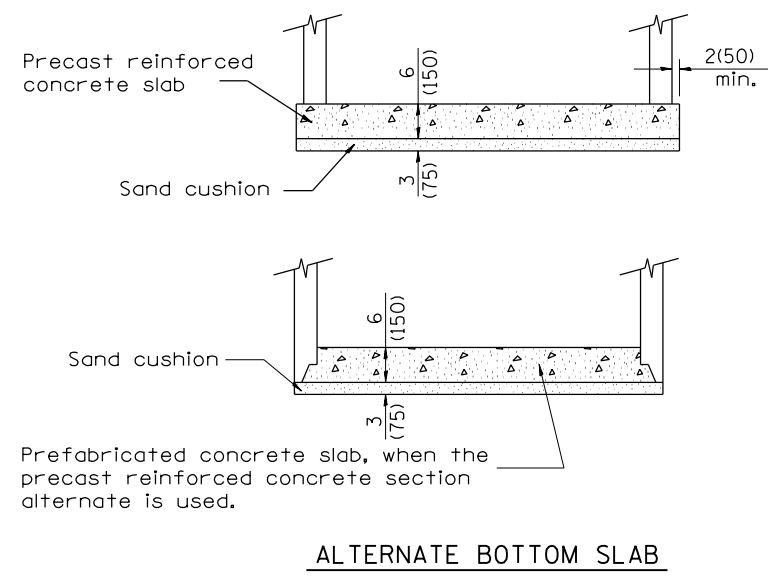
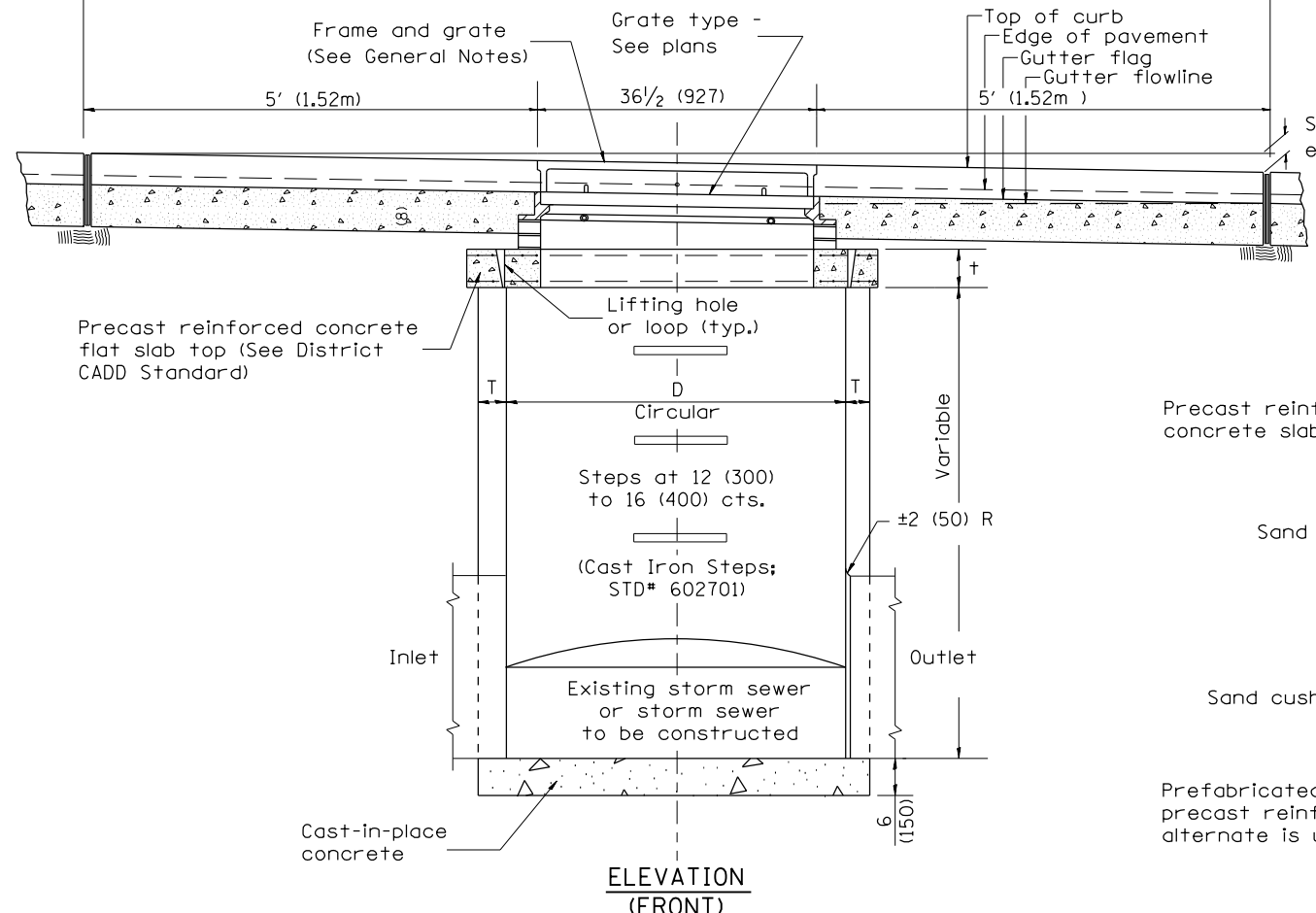
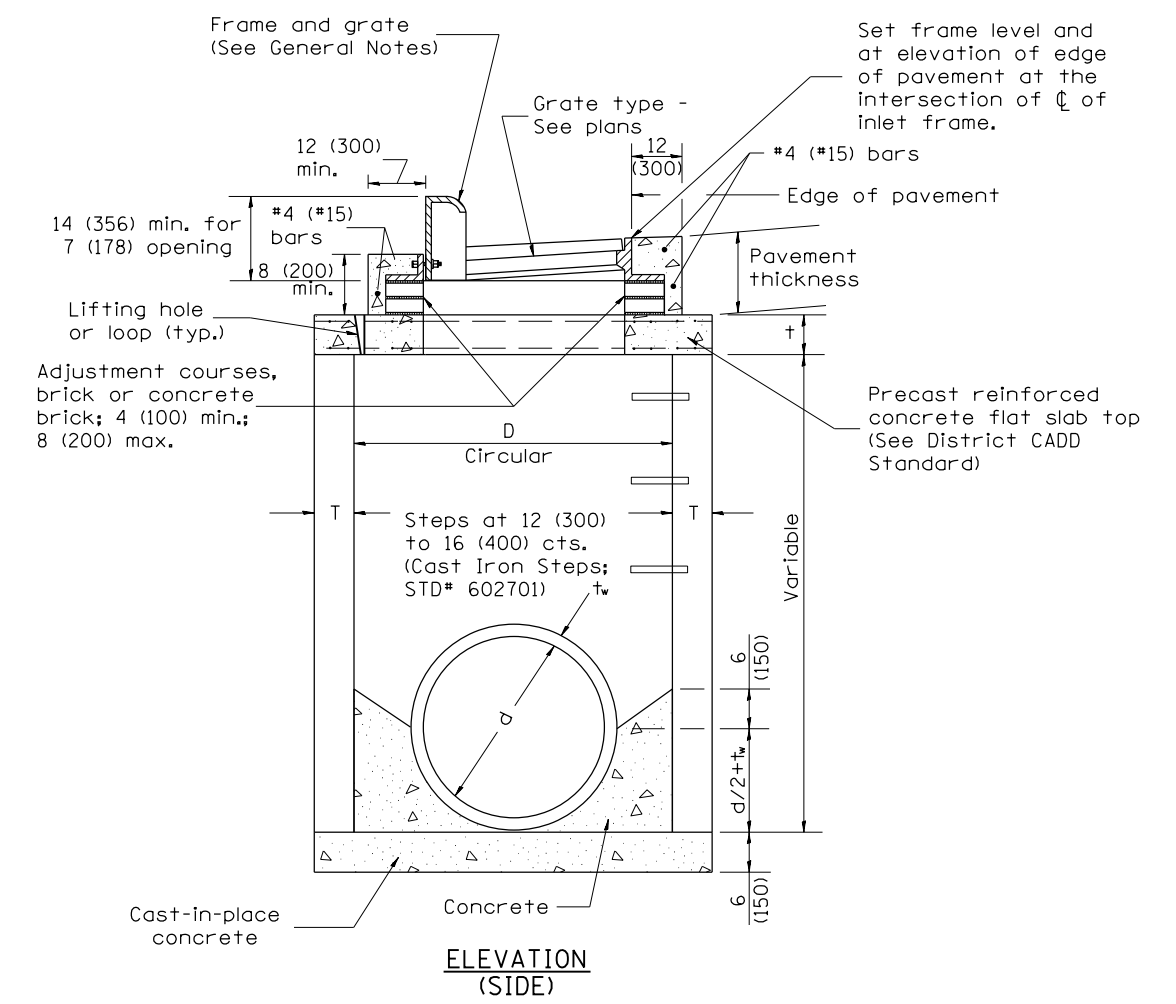
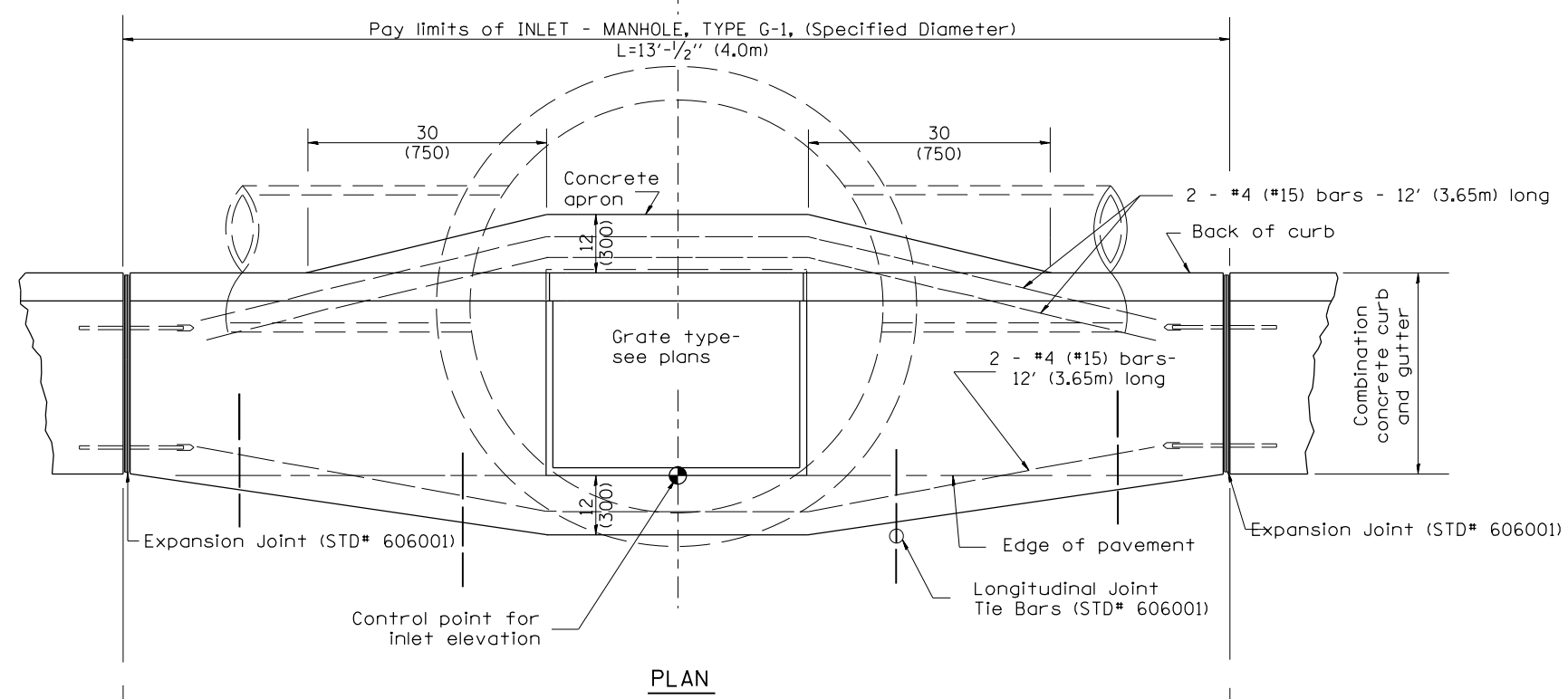


DESIGNER NOTES:
 1. Include State STD# 606001 for combination concrete curb and gutter details.
 2. Include State STD# 420001 for pavement joints.
 3. Include State STD# 602701 for cast iron steps.
 4. Include District CADD Standard for frame and grates and specify grate type in plans.
 5. Include District CADD Standard for precast reinforced concrete flat slab top.
 6. Include District Special Provision. Pay item includes inlet - manhole, flat slab top, transitional c.c.&g. and frame and grate. All work within pay limits.
 7. Specify diameter of inlet - manhole in plans.
 8. The designer should include pavement removal quantities when the apron requires pavement removal.



TABLE

D	T	t
4' (1.2m)	5 (125)	6 (150)
5' (1.5m)	6 (150)	8 (200)
6' (1.8m)	7 3/4 (195)	8 (200)
8' (2.4m)	9 (225)	10 (250)

- GENERAL NOTES
- Inlet-manhole construction shall be in accordance with Section 602 of the Standard Specifications.
 - Combination concrete curb and gutter shall be constructed in accordance with Section 606 of the Standard Specifications.
 - See District CADD Standard 604001-D4 for frame and grates.
 - See District CADD Standard for precast reinforced concrete flat slab top.