

F.A.P. RTE.	SECTION	COUNTY	TOTAL SHEETS	SHEET NO.
63	05-00297-00-LT	ADAMS	31	1
		ILLINOIS	CONTRACT NO. 93608	

PROPOSED BRIDGE LIGHTING PLANS

FAP ROUTE 63 (US 24) - BAYVIEW BRIDGE
SECTION 05-00297-00-LT
PROJECT NO. HPP-4067(001)
JOB NO.: C-96-221-13
MARION COUNTY, MO - ADAMS COUNTY, IL
HIGH PRIORITY PROGRAM



LOCATION OF SECTION INDICATED THUS: - [thick black line] -

APPROVED October 9, 2013
[Signature]
DIRECTOR OF ENGINEERING

PASSED October 25, 2013
Terrence H. Fountain
DISTRICT SIX ENGINEER OF LOCAL ROADS & STREETS

PASSED October 24, 2013
Ron [Signature]
DISTRICT SIX ENGINEER OF CONSTRUCTION

Releasing For Bid Based on Limited Review October 25, 2013
Roger L. Driskell
DEPUTY DIRECTOR OF HIGHWAYS, REGION FOUR ENGINEER

STATE OF ILLINOIS
DEPARTMENT OF TRANSPORTATION

INDEX OF SHEETS

- 1 COVER SHEET
- 2 GENERAL NOTES
- 3-4 SUMMARY OF QUANTITIES
- 5 TYPICAL SECTION
- 6 SCHEDULE OF QUANTITIES
- 7 GENERAL PLAN AND ELEVATION
- 8-16 TRAFFIC CONTROL AND PROTECTION
- 17-18 LIGHTING PLAN AND PROFILE
- 19-21 CONDUIT PLAN
- 22-25 LIGHTING UNIT MOUNTING DETAILS
- 26-28 EXISTING STRUCTURE PLANS
- 29-31 LIGHTING CONTROLLER DETAILS

HIGHWAY STANDARDS

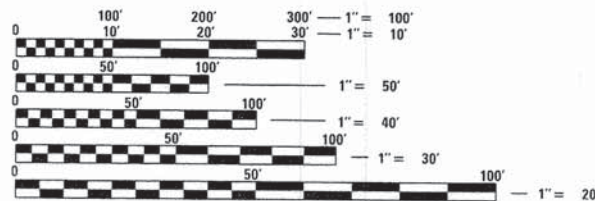
- 701601-09
- 701801-05
- 701901-03
- 720001-01

DESIGN DESIGNATION

FAP 63 (US 24)
OTHER PRINCIPAL ARTERIAL - URBAN
ADT = 9400 (2011)

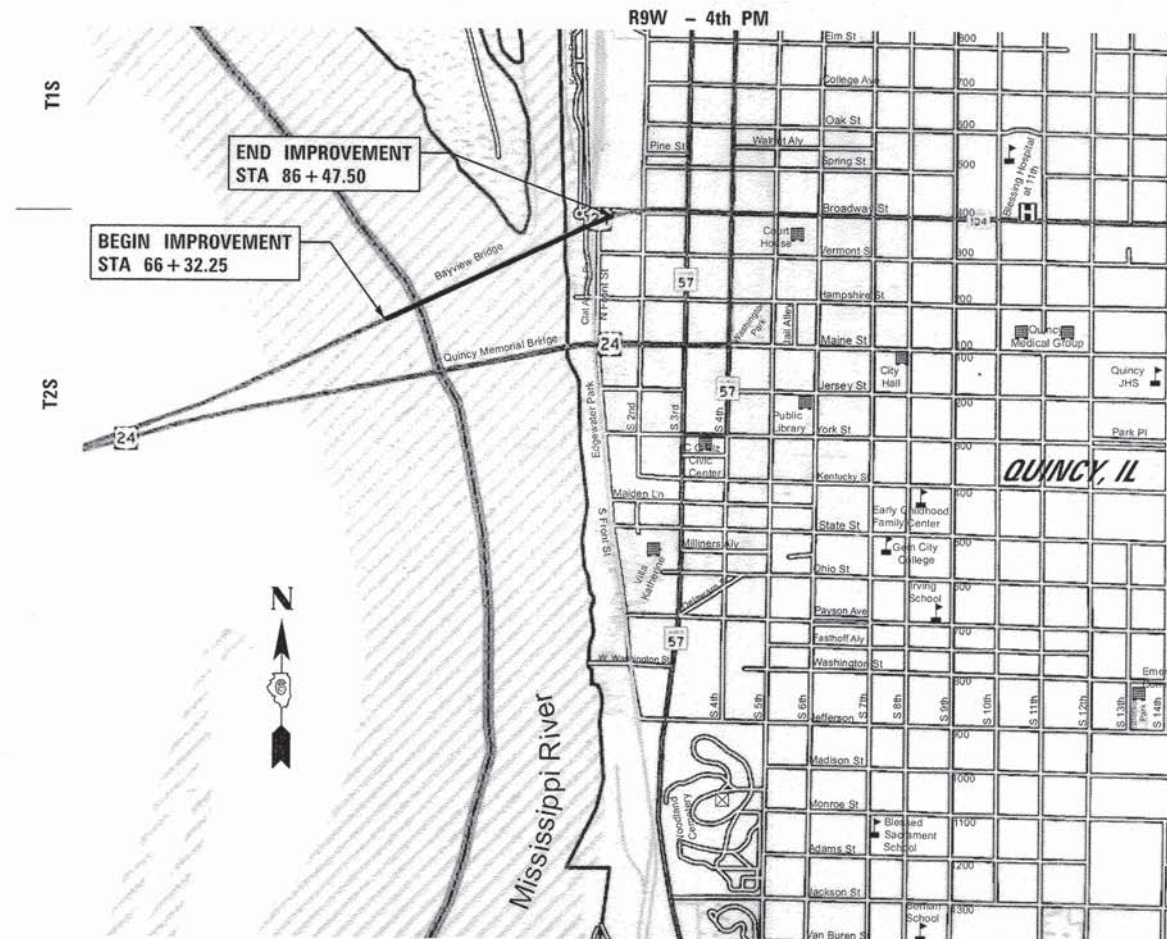
PROJECT DESCRIPTION

Project consists of decorative lighting to the cables and main piers to the Bayview Bridge (S.N. 001-0068) over the Mississippi River and other related electrical items.

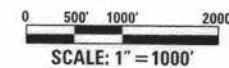


FULL SIZE PLANS HAVE BEEN PREPARED USING STANDARD ENGINEERING SCALES. REDUCED SIZED PLANS WILL NOT CONFORM TO STANDARD SCALES. IN MAKING MEASUREMENTS ON REDUCED PLANS, THE ABOVE SCALES MAY BE USED.

J.U.L.I.E.
JOINT UTILITY LOCATION INFORMATION FOR EXCAVATION
1-800-892-0123
OR 811



LOCATION MAP



NET LENGTH OF SECTION = 2015.25 FT. = 0.382 MILE

Plans prepared by:

KLINGNER & ASSOCIATES, P.C.
Engineers • Architects • Surveyors

616 North 24th Street, Quincy, IL Ph (217)223-3670 - Fax (217)223-3603
4510 Paris Gravel Road, Hannibal, MO Ph (573)221-0020 - Fax (573)221-0012
610 N. 4th Street, Suite 100, Burlington, IA Ph (319)752-3603 - Fax (319)752-3605
49 North Prairie Street, Gatesburg, IL Ph (309)342-4042 - Fax (309)341-3781
Internet Address: www.klingner.com
IL DESIGN FIRM NO.: 1842738



Joseph A. Knochel
JOSEPH A. KNOCHEL
REGISTERED PROFESSIONAL ENGINEER
STATE OF ILLINOIS
LICENSE EXPIRES NOVEMBER 30, 2015
10/9/2013
DATE

GENERAL NOTES

1. THE CONTRACTOR SHALL PROTECT AND CAREFULLY PRESERVE ALL PROPERTY MARKERS AND MONUMENTS UNTIL THE OWNER, AUTHORIZED AGENT, OR LAND SURVEYOR HAS WITNESSED OR OTHERWISE REFERENCED THEIR LOCATION. WHERE SECTION OR SUB-SECTION MONUMENTS ARE ENCOUNTERED, THE ENGINEER SHALL BE NOTIFIED BEFORE SUCH MONUMENTS ARE REMOVED. THE CONTRACTOR SHALL BE RESPONSIBLE FOR HAVING AN AUTHORIZED SURVEYOR RE-ESTABLISH ANY SECTION OR SUB-SECTION MONUMENTS DESTROYED BY HIS OPERATIONS.
2. ALL DISTURBED AREAS WITHIN THE RIGHT-OF-WAY SHALL BE SEEDED, FERTILIZED, AND MULCHED AS DIRECTED BY THE ENGINEER. THIS WORK SHALL NOT BE PAID SEPERATELY BUT SHALL BE CONSIDERED INCLUDED IN THE CONTRACT AND NO COMPENSATION WILL BE ALLOWED.
3. THE LOCATION OF BURIED AND ABOVE GROUND UTILITIES SHOWN ARE APPROXIMATE, AND ARE SHOWN FOR CONTRACTOR INFORMATIONAL USE ONLY, AND ARE NOT TO BE REFERENCED FOR CONSTRUCTION PURPOSES. THE IMPLIED PRESENCE OR ABSENCE OF UTILITIES IS NOT TO BE CONSTRUED BY THE OWNER, ENGINEER, CONTRACTOR, OR SUBCONTRACTORS TO BE AN ACCURATE AND COMPLETE REPRESENTATION OF UTILITIES THAT MAY OR MAY NOT EXIST ON THE CONSTRUCTION SITE. BURIED AND ABOVE GROUND UTILITY LOCATIONS, IDENTIFICATION, AND MARKING ARE THE SOLE RESPONSIBILITY OF THE CONTRACTOR. REROUTING, DISCONNECTION, PROTECTION, ETC. OF ANY UTILITIES MUST BE COORDINATED BETWEEN THE CONTRACTOR, UTILITY COMPANY, AND OWNER. SITE SAFETY, INCLUDING THE AVOIDANCE OF HAZARDS ASSOCIATED WITH BURIED AND ABOVE GROUND UTILITIES, REMAINS THE SOLE RESPONSIBILITY OF THE CONTRACTOR.
4. ANY REFERENCE TO A STANDARD IN THESE PLANS SHALL BE INTERPRETED TO MEAN THE EDITION AS INDICATED BY THE SUB-NUMBER IN THE INDEX OF SHEETS OR THE COPY OF THE STANDARD INCLUDED IN THESE PLANS.
5. ANY EXISTING ROAD SIGNS THAT INTERFERE WITH CONSTRUCTION WILL BE REMOVED OR RELOCATED AS DIRECTED BY THE ENGINEER. AFTER THE CONSTRUCTION IS COMPLETED, THE CONTRACTOR WILL REPLACE THE SIGNS AS DIRECTED BY THE ENGINEER. THIS WORK WILL NOT BE PAID SEPARATELY BUT SHALL BE CONSIDERED INCLUDED IN THE CONTRACT AND NO COMPENSATION WILL BE ALLOWED.
6. SHOULD THE CONTRACTOR REQUEST OLD/EXISTING STRUCTURE PLANS, THEY CAN CONTACT THE DESIGN ENGINEER AS SHOWN ON THE COVER SHEET.
7. IN ADDITION TO FIELD SURVEYS, PLAN DIMENSIONS AND DETAILS RELATIVE TO THE EXISTING FACILITIES HAVE BEEN TAKEN FROM EXISTING PLANS AND ARE SUBJECT TO CONSTRUCTION VARIATIONS. IT SHALL BE THE CONTRACTOR'S RESPONSIBILITY TO VERIFY SUCH DIMENSIONS AND DETAILS IN THE FIELD. SUCH VARIATIONS SHALL NOT BE A CAUSE FOR ADDITIONAL COMPENSATION DUE TO A CHANGE IN THE SCOPE OF WORK, HOWEVER, THE CONTRACTOR WILL BE PAID FOR THE QUANTITY ACTUALLY FURNISHED AT THE UNIT PRICE BID FOR THE WORK.

FILE NAME = D:\07\105\070371\04 Plans\Plans\Aht 07-00371 gn quant.dgn



USER NAME = seb	DESIGNED - SEB	REVISED -
	DRAWN - SEB	REVISED -
PLOT SCALE = 40,0000 ' / in.	CHECKED -	REVISED -
PLOT DATE = 10/9/2013	DATE -	REVISED -

**CITY OF QUINCY, ILLINOIS
BAYVIEW BRIDGE LIGHTING**

GENERAL NOTES

SCALE: NONE SHEET 1 OF 1 SHEETS STA. TO STA.

F.A.P. RTE.	SECTION	COUNTY	TOTAL SHEETS	SHEET NO.
63	05-00297-00-LT	ADAMS	31	2
			CONTRACT NO. 93608	
ILLINOIS FED. AID PROJECT				

SUMMARY OF QUANTITIES

CONSTRUCTION TYPE CODE: 0031

CODE NO.	ITEM	UNIT	TOTAL QUANTITY	
67100100	MOBILIZATION	L SUM	1	1
* 70102630	TRAFFIC CONTROL AND PROTECTION, STANDARD 701601	L SUM	1	1
* 70102640	TRAFFIC CONTROL AND PROTECTION, STANDARD 701801	L SUM	1	1
80400100	ELECTRIC SERVICE INSTALLATION	EACH	1	1
* 81100580	CONDUIT ATTACHED TO STRUCTURE, 1" DIA., ALUMINUM	FOOT	5848	5848
* 81100584	CONDUIT ATTACHED TO STRUCTURE, 1 1/2" DIA., ALUMINUM	FOOT	4424	4424
81300100	JUNCTION BOX, STAINLESS STEEL, ATTACHED TO STRUCTURE, 4" X 4" X 3"	EACH	91	91
81300320	JUNCTION BOX, STAINLESS STEEL, ATTACHED TO STRUCTURE, 8" X 8" X 6"	EACH	16	16
81702110	ELECTRIC CABLE IN CONDUIT, 600V (XLP-TYPE USE) 1/C NO. 10	FOOT	51000	51000
87100120	FIBER OPTIC CABLE IN CONDUIT, NO. 62.5/125, 8F	FOOT	2156	2156
87800200	CONCRETE FOUNDATION, TYPE D	FOOT	7	7
* Z0013798	CONSTRUCTION LAYOUT	L SUM	1	1
* Z0048665	RAILROAD PROTECTIVE LIABILITY INSURANCE	L SUM	1	1
* X0326263	EQUIPMENT CABINET	EACH	2	2

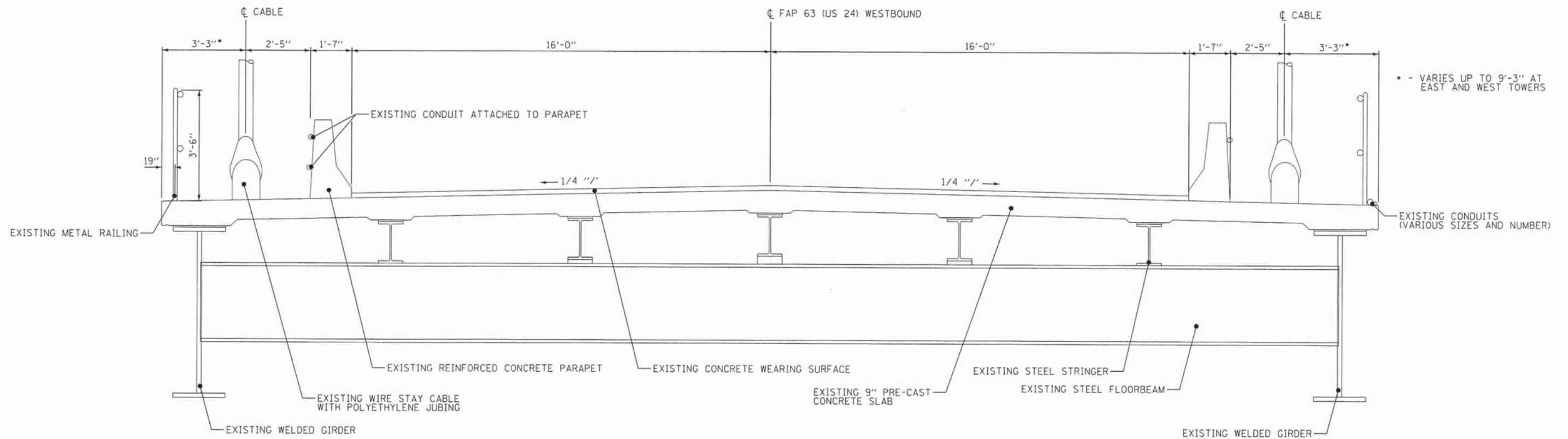
FILE NAME = D:\0711es\070371\04 Plans\Plans\07-00371 gn quant.dgn

SUMMARY OF QUANTITIES

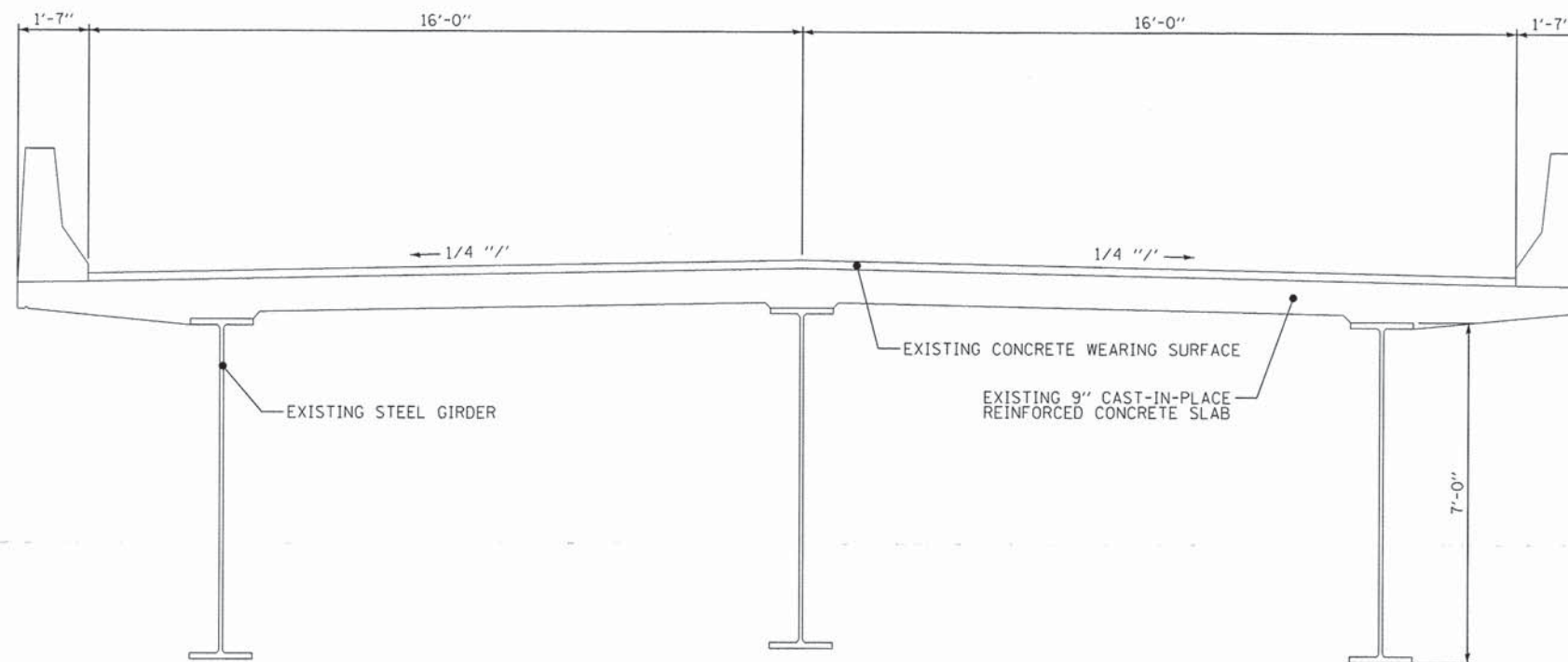
CONSTRUCTION TYPE CODE: 0031

CODE NO.	ITEM	UNIT	TOTAL QUANTITY	
* X7200105	SIGN PANEL - TYPE 1 (SPECIAL)	SQ FT	0.8	0.8
* X8011000	TELEPHONE SERVICE INSTALLATION	EACH	1	1
* X8211305	LUMINAIRE, LED, TYPE 1 MOUNT, 60 WATT	EACH	8	8
* X8211335	LUMINAIRE, LED, TYPE 1 MOUNT, 270 WATT	EACH	8	8
* X8211405	LUMINAIRE, LED, TYPE 2 MOUNT, 60 WATT	EACH	32	32
* X8211505	LUMINAIRE, LED, TYPE 3 MOUNT, 60 WATT	EACH	24	24
* X8211605	LUMINAIRE, LED, TYPE 4 MOUNT, 60 WATT	EACH	12	12
* X8211705	LUMINAIRE, LED, TYPE 5 MOUNT, 60 WATT	EACH	2	2
* X8250505	LIGHTING CONTROLLER, SPECIAL	EACH	1	1
* X8730401	ELECTRIC CABLE IN CONDUIT, COMMUNICATION	FOOT	3830	3830

FILE NAME: 040711en\072021\04 Plans\Plans\skt_07-00371.qdw



TYPICAL BRIDGE SECTION
 STA 61+65.0 TO STA 79+45.0 (PIER 8 TO PIER 11)



TYPICAL BRIDGE SECTION
 STA 79+45.0 TO STA 91+20.0 (PIER 11 TO PIER 18)

FILE NAME = D:\071\1es\070371\04_Plan\VP\Plans\1st_07-08371_top_section.dgn

KLINGNER & ASSOCIATES, P.C.
 Engineers • Architects • Surveyors

USER NAME = seb
 PLOT SCALE = 40,0000' / 1" =
 PLOT DATE = 10/9/2013

DESIGNED -	REVISED -
DRAWN - SEB	REVISED -
CHECKED -	REVISED -
DATE -	REVISED -

CITY OF QUINCY, ILLINOIS
BAYVIEW BRIDGE LIGHTING

TYPICAL SECTIONS
 SCALE: NONE SHEET 1 OF 1 SHEETS STA. TO STA.

F.A.P. RTE.	SECTION	COUNTY	TOTAL SHEETS	SHEET NO.
63	05-00297-00-LT	ADAMS	31	5
CONTRACT NO. 93608				
ILLINOIS FED. AID PROJECT				

CONDUIT SCHEDULE

LOCATION	CONDUIT ATTACHED TO STRUCTURE, ALUMINUM		JUNCTION BOX, S.S., ATTACHED TO STRUCTURE	
	1" Ø	1 1/2" Ø	4"x4"x3"	8"x8"x6"
NORTH SIDE (L1A to COM. CABINET WEST)	397	-	10	-
SOUTH SIDE (L1B to COM. CABINET WEST)	493	-	10	-
NORTH SIDE (L21A to COM. CABINET WEST)	258	-	9	-
SOUTH SIDE (L21B to COM. CABINET WEST)	354	-	9	-
NORTH SIDE (L14A to COM. CABINET WEST)	83	-	2	-
SOUTH SIDE (L14B to COM. CABINET WEST)	179	-	2	-
NORTH SIDE (COM. CABINET WEST to COM. CABINET EAST)	900	1936	2	-
NORTH SIDE (L22A to COM. CABINET EAST)	258	-	9	-
SOUTH SIDE (L22B to COM. CABINET EAST)	354	-	9	-
NORTH SIDE (L43A to COM. CABINET EAST)	485	-	11	2
SOUTH SIDE (L43B to COM. CABINET EAST)	581	-	11	2
NORTH SIDE (L34A to COM. CABINET EAST)	83	-	2	-
SOUTH SIDE (L34B to COM. CABINET EAST)	179	-	2	-
NORTH SIDE (COM. CABINET EAST to PIER 15)	1134	2268	3	12
PIER 15 TO CONTROL CABINET	110	220	-	-
TOTAL:	5848	4424	91	16

CABLE SCHEDULE

LOCATION	FIBER OPTIC NO 62.5/125, 8 F	COMMUNICATION	600V (XLP-TYPE USE) 1/C NO. 10
NORTH SIDE (L1A to COM. CABINET WEST)	0	410	0
SOUTH SIDE (L1B to COM. CABINET WEST)	0	507	0
NORTH SIDE (L21A to COM. CABINET WEST)	0	270	0
SOUTH SIDE (L21B to COM. CABINET WEST)	0	367	0
NORTH SIDE (L14A to COM. CABINET WEST)	0	88	0
SOUTH SIDE (L14B to COM. CABINET WEST)	0	184	0
NORTH SIDE (COM. CABINET WEST to COM. CABINET EAST)	906	0	13,590
NORTH SIDE (L22A to COM. CABINET EAST)	0	270	0
SOUTH SIDE (L22B to COM. CABINET EAST)	0	367	0
NORTH SIDE (L43A to COM. CABINET EAST)	0	499	0
SOUTH SIDE (L43B to COM. CABINET EAST)	0	596	0
NORTH SIDE (L34A to COM. CABINET EAST)	0	88	0
SOUTH SIDE (L34B to COM. CABINET EAST)	0	184	0
NORTH SIDE (COM. CABINET EAST to PIER 15)	1136	0	34,110
PIER 15 TO CONTROL CABINET	114	0	3,300
TOTAL:	2,156	3,830	51,000

FILE NAME = D:\07\105\1078371\04 Plans\Plans\Aht 07-00371 gn quant.dgn



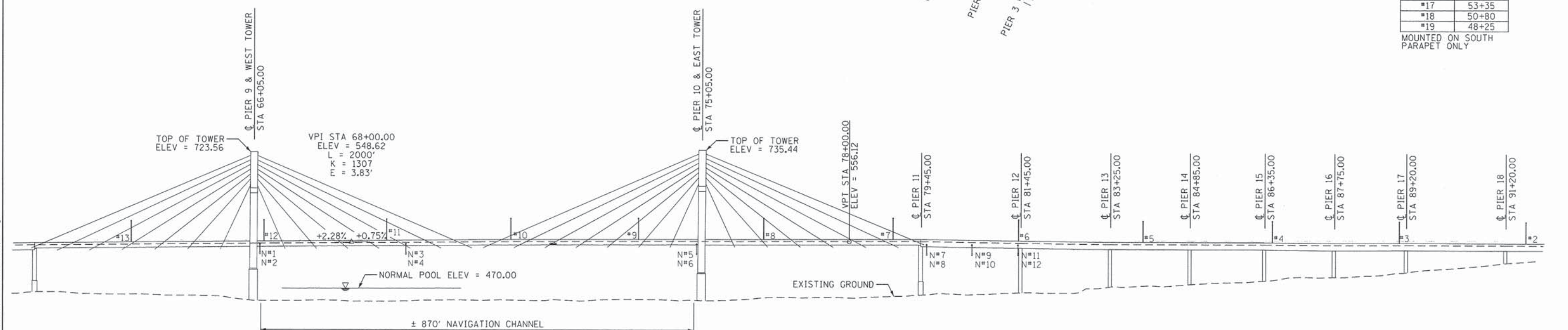
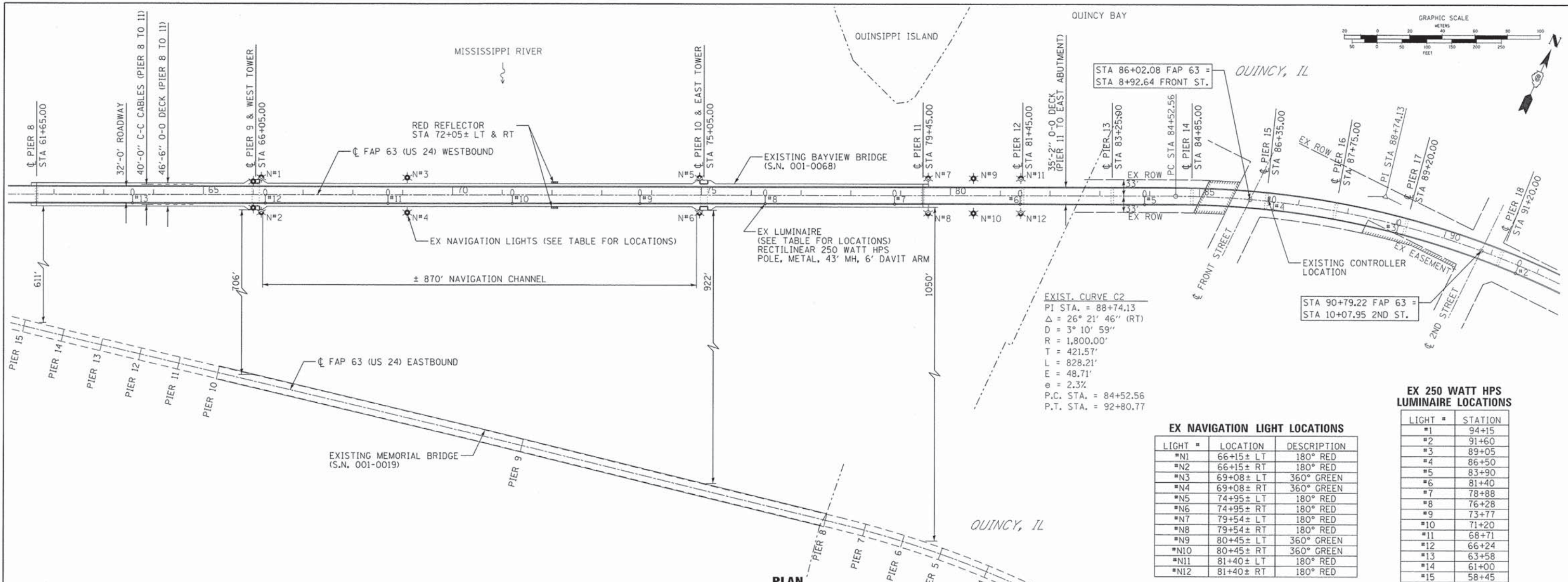
USER NAME = seb	DESIGNED - SEB	REVISED -
PLLOT SCALE = 40.0000' / in.	DRAWN - SEB	REVISED -
PLLOT DATE = 10/9/2013	CHECKED -	REVISED -
	DATE -	REVISED -

**CITY OF QUINCY, ILLINOIS
BAYVIEW BRIDGE LIGHTING**

SCHEDULE OF QUANTITIES

SCALE: NONE SHEET 1 OF 1 SHEETS STA. TO STA.

F.A.P. RTE.	SECTION	COUNTY	TOTAL SHEETS	SHEET NO.
63	05-00297-00-LT	ADAMS	31	6
			CONTRACT NO. 93608	
ILLINOIS FED. AID PROJECT				



KLINGNER & ASSOCIATES, P.C.
 Engineers • Architects • Surveyors

USER NAME = seb
 PLOT SCALE = 200.0000' / in.
 PLOT DATE = 10/9/2013

DESIGNED -	REVISED -
DRAWN -	REVISED -
CHECKED -	REVISED -
DATE -	REVISED -

CITY OF QUINCY, ILLINOIS
BAYVIEW BRIDGE LIGHTING

GENERAL PLAN AND ELEVATION

SCALE: 1"=100' SHEET 1 OF 1 SHEETS STA. TO STA.

F.A.P. RTE. 63	SECTION 05-00297-00-LT	COUNTY ADAMS	TOTAL SHEETS 31	SHEET NO. 7
CONTRACT NO. 93608				
ILLINOIS FED. AID PROJECT				

FILE NAME = D:\07\105\078371\04 Plans\Plans\07-08371.plt.dgn

FILE NAME = Q:\8771\84 Plans\Plans\87-00371 traffic stage 1.dgn

KLINGNER & ASSOCIATES, P.C.
 Engineers • Architects • Surveyors

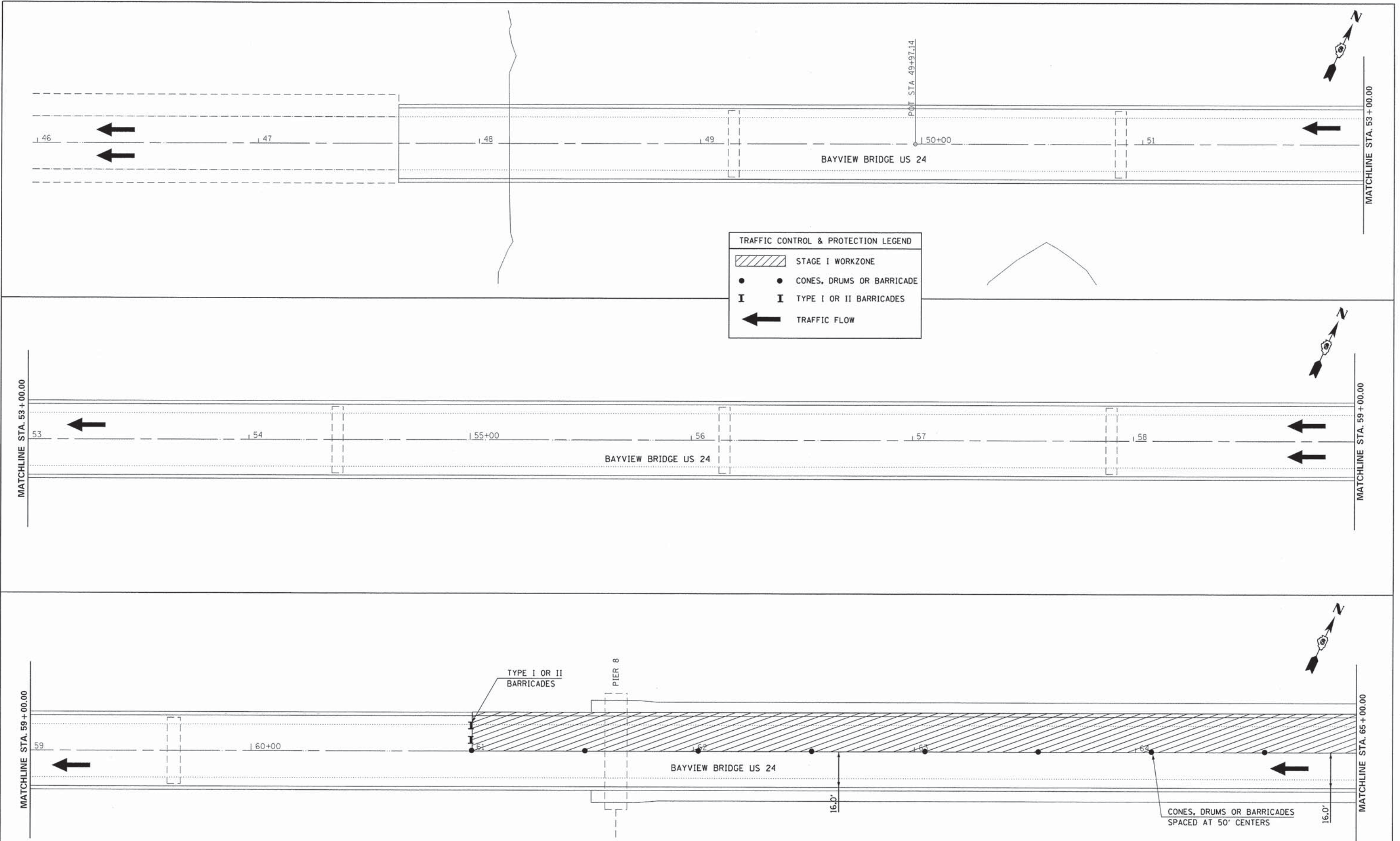
USER NAME = seb	DESIGNED - IDOT D6 / SEB	REVISED -
DRAWN - SEB	CHECKED -	REVISED -
PLLOT SCALE = 40,0000' / in.	DATE -	REVISED -
PLLOT DATE = 10/9/2013		

**CITY OF QUINCY, ILLINOIS
 BAYVIEW BRIDGE LIGHTING**

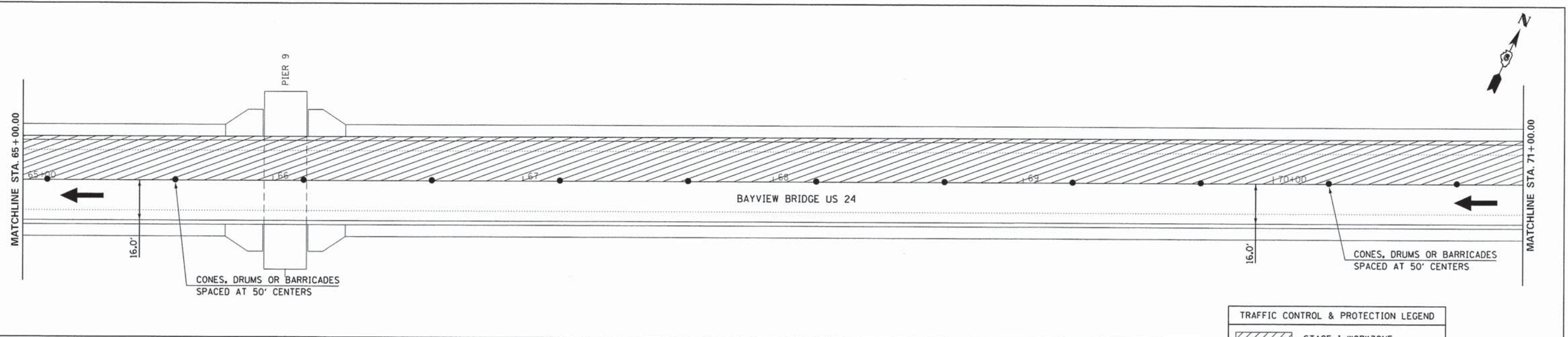
**TRAFFIC CONTROL & PROTECTION
 STAGE 1**

SCALE: 1"=20' SHEET 1 OF 4 SHEETS STA. 46+00 TO STA. 65+00

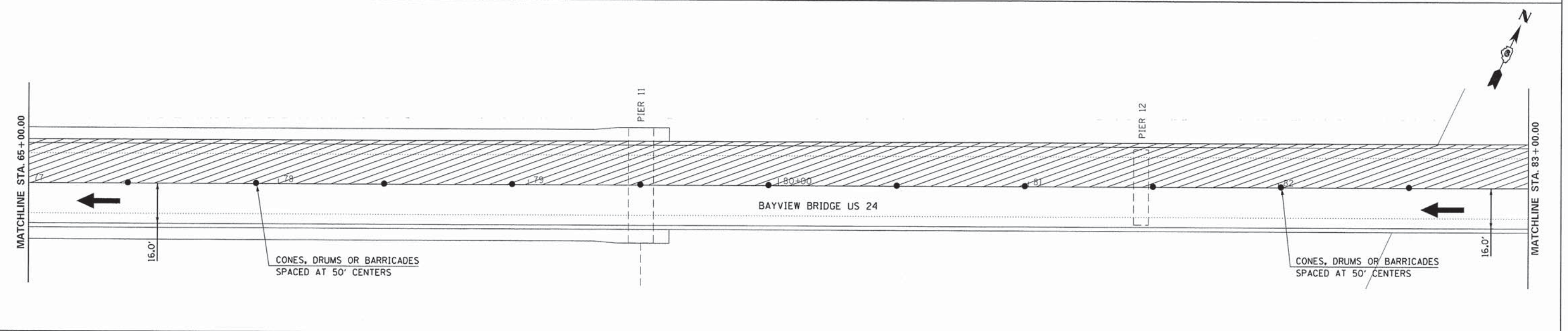
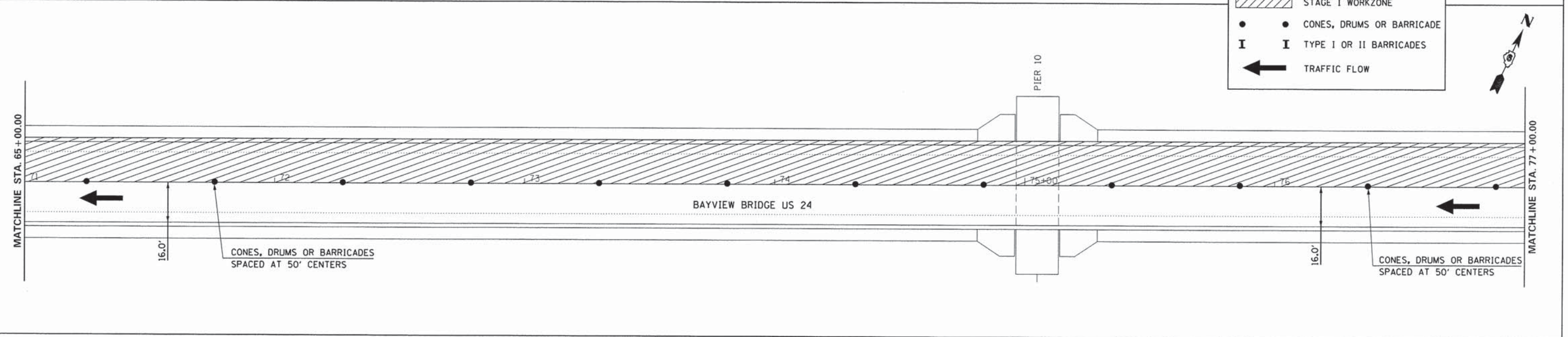
F.A.P. RTE.	SECTION	COUNTY	TOTAL SHEETS	SHEET NO.
63	05-00297-00-LT	ADAMS	31	8
CONTRACT NO. 93608			ILLINOIS FED. AID PROJECT	



FILE NAME = Q:\071\1es\070371\04 Plans\Plans\st 07-00371 traffic stage 1.dgn



TRAFFIC CONTROL & PROTECTION LEGEND	
	STAGE I WORKZONE
	CONES, DRUMS OR BARRICADE
	TYPE I OR II BARRICADES
	TRAFFIC FLOW







KLINGNER & ASSOCIATES, P.C.
 Engineers • Architects • Surveyors

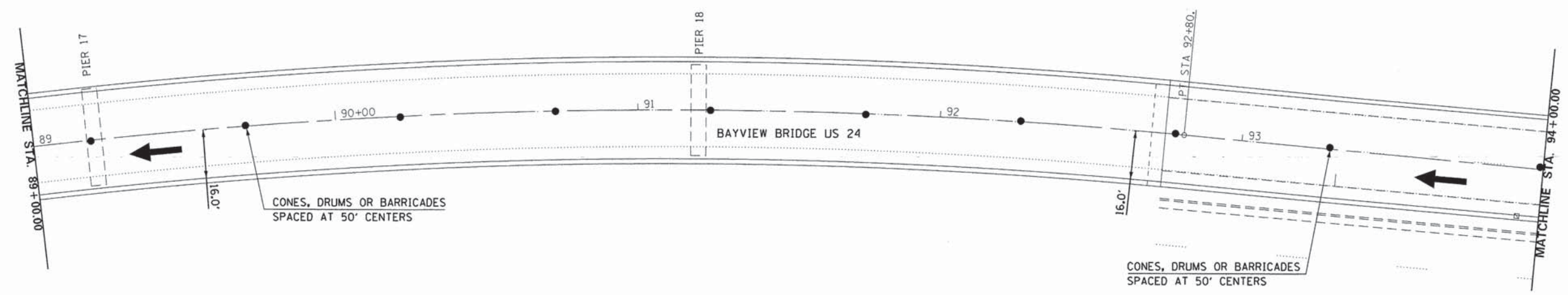
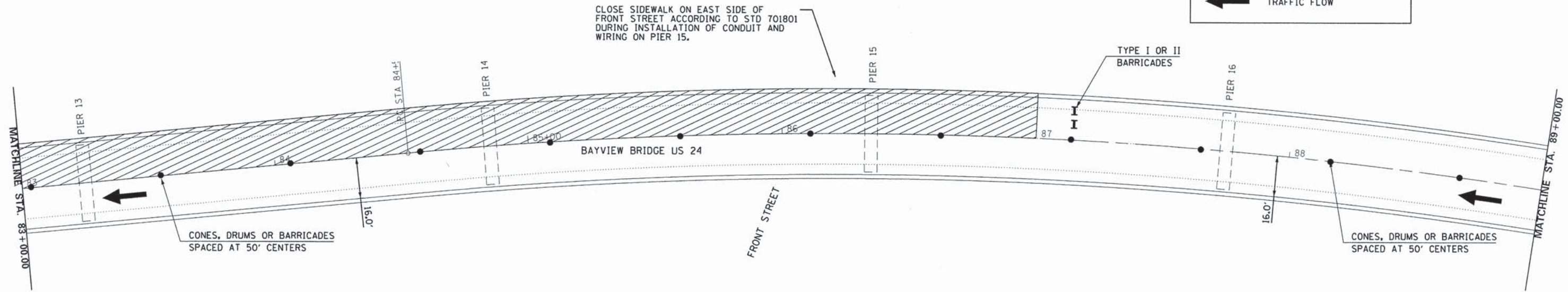
USER NAME = seb	DESIGNED - IDOT D6 / SEB	REVISED -
PLLOT SCALE = 40,0000' / in.	DRAWN - SEB	REVISED -
PLLOT DATE = 10/9/2013	CHECKED -	REVISED -
	DATE -	REVISED -

**CITY OF QUINCY, ILLINOIS
 BAYVIEW BRIDGE LIGHTING**

TRAFFIC CONTROL & PROTECTION STAGE 1	
SCALE: 1"=20'	SHEET 2 OF 4 SHEETS
STA. 65+00 TO STA. 83+00	

F.A.P. RTE. 63	SECTION 05-00297-00-LT	COUNTY ADAMS	TOTAL SHEETS 31	SHEET NO. 9
CONTRACT NO. 93608				
ILLINOIS FED. AID PROJECT				

TRAFFIC CONTROL & PROTECTION LEGEND	
	STAGE I WORKZONE
	CONES, DRUMS OR BARRICADES
	TYPE I OR II BARRICADES
	TRAFFIC FLOW



FILE NAME = D:\077\iles\078371\04 Plans\Plans\st 07-00371 traffic stage 1.dgn

KLINGNER & ASSOCIATES, P.C.
Engineers • Architects • Surveyors

USER NAME = seb
PLOT SCALE = 48,0000' / in.
PLOT DATE = 10/9/2013

DESIGNED - IDOT D6 / SEB
DRAWN - SEB
CHECKED -
DATE -

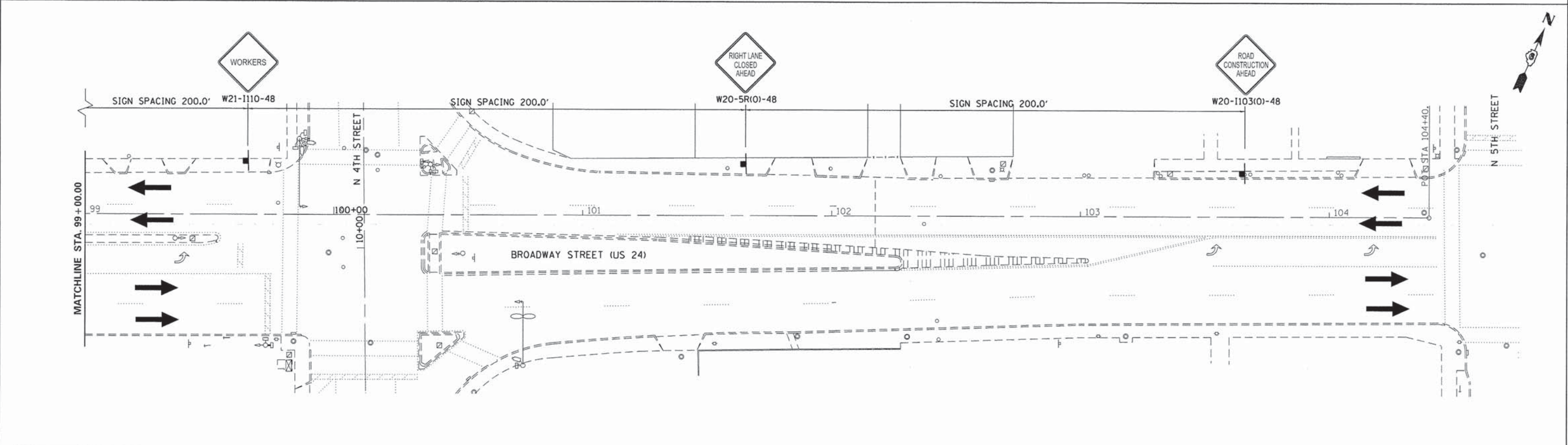
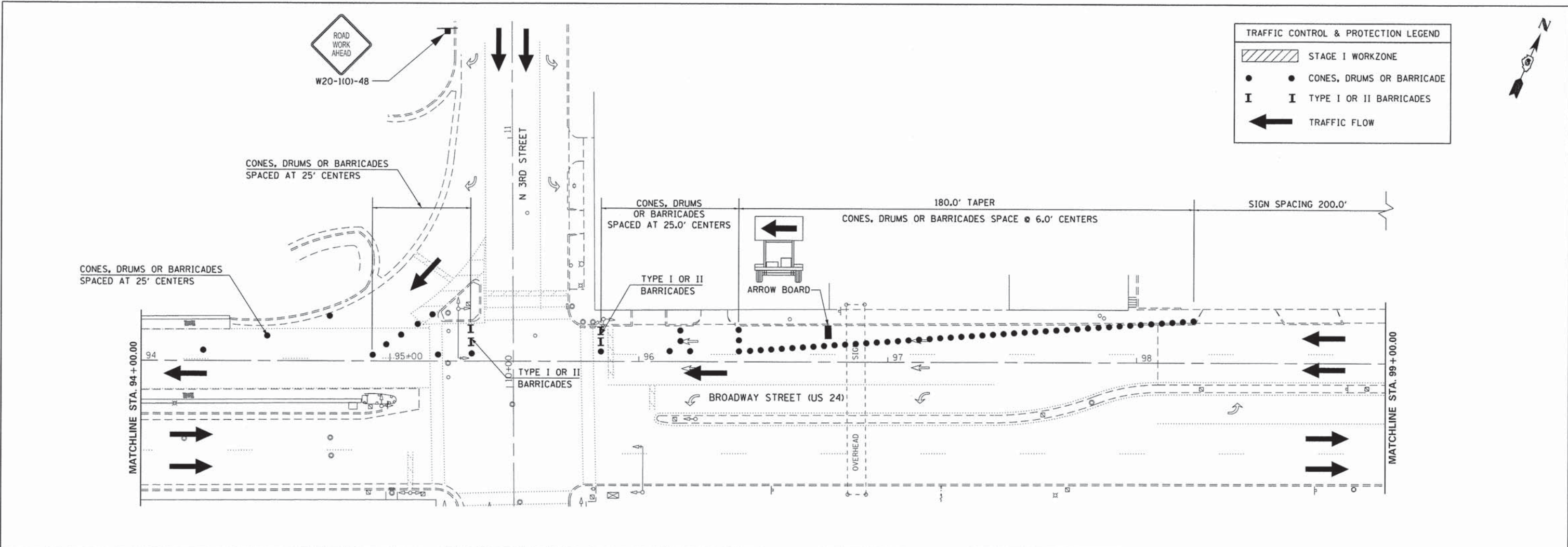
REVISED -
REVISED -
REVISED -
REVISED -

**CITY OF QUINCY, ILLINOIS
BAYVIEW BRIDGE LIGHTING**

**TRAFFIC CONTROL & PROTECTION
STAGE 1**

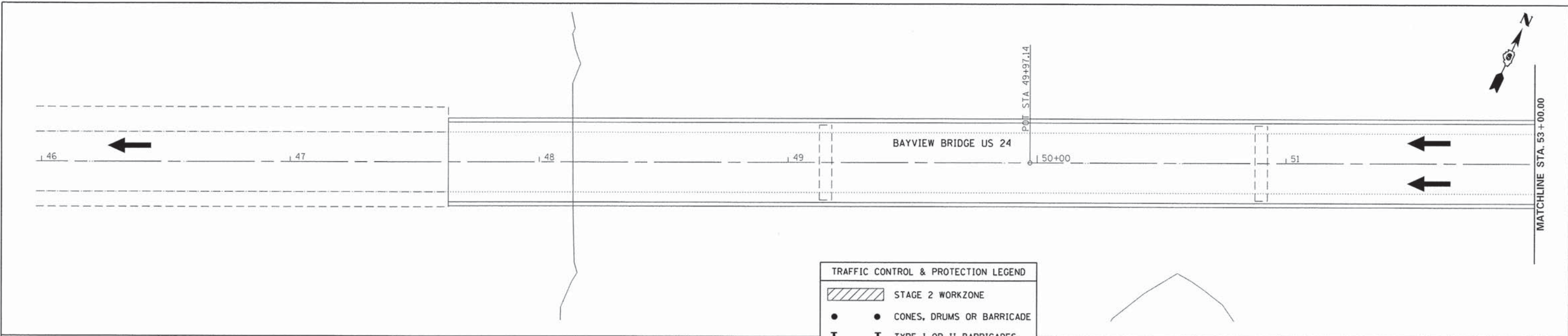
SCALE: 1"=20' SHEET 3 OF 4 SHEETS STA. 83+00 TO STA. 94+00

F.A.P. RTE.	SECTION	COUNTY	TOTAL SHEETS	SHEET NO.
63	05-00297-00-LT	ADAMS	31	10
CONTRACT NO. 93608				
ILLINOIS FED. AID PROJECT				



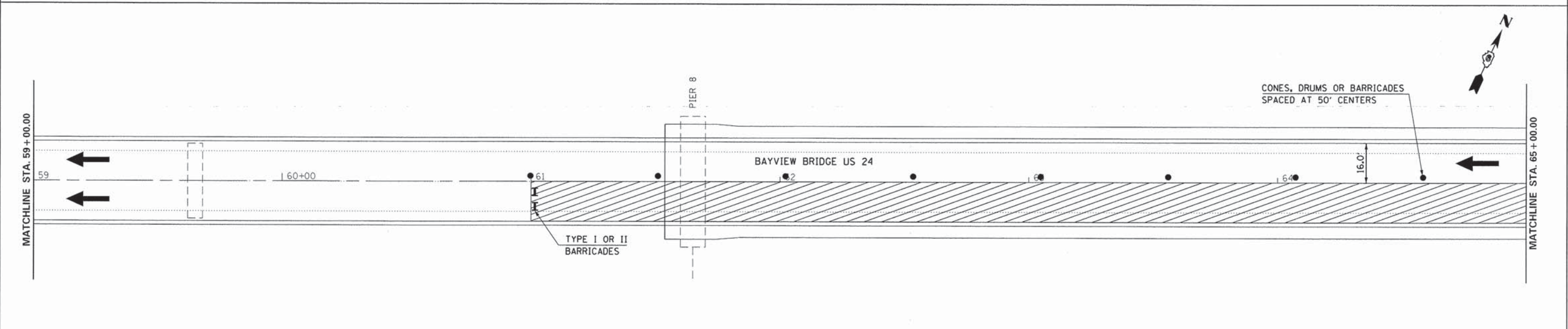
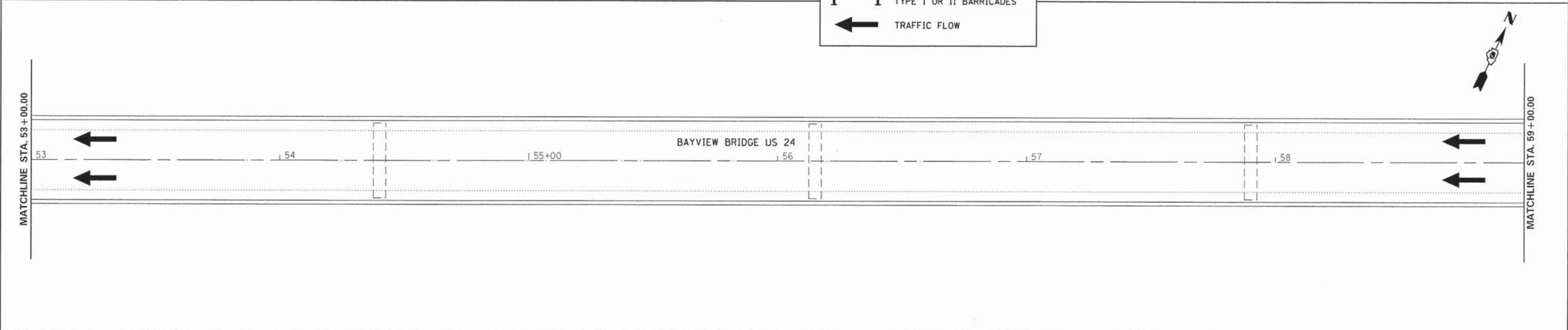
FILE NAME = G:\077\Jobs\078371\04_Plan\Traffic stage 1.dgn

KLINGNER & ASSOCIATES, P.C. Engineers • Architects • Surveyors	USER NAME = seb	DESIGNED - IDOT D6 / SEB	REVISED -	CITY OF QUINCY, ILLINOIS BAYVIEW BRIDGE LIGHTING	TRAFFIC CONTROL & PROTECTION STAGE 1			F.A.P. RTE. 63	SECTION 05-00297-00-LT	COUNTY ADAMS	TOTAL SHEETS 31	SHEET NO. 11
	PLOT SCALE = 40,000.0' / in.	CHECKED -	REVISED -		SCALE: 1"=20'	SHEET 4 OF 4 SHEETS	STA. 94+00 TO STA. 104+00	CONTRACT NO. 93608		ILLINOIS FED. AID PROJECT		
	PLOT DATE = 10/9/2013	DATE -	REVISED -									



TRAFFIC CONTROL & PROTECTION LEGEND

- STAGE 2 WORKZONE
- CONES, DRUMS OR BARRICADE
- TYPE I OR II BARRICADES
- TRAFFIC FLOW



FILE NAME : G:\077\105\1078371\04 Plans\Plans\st 07-00371 w/effric stage 2.dgn

KLINGNER & ASSOCIATES, P.C.
Engineers • Architects • Surveyors

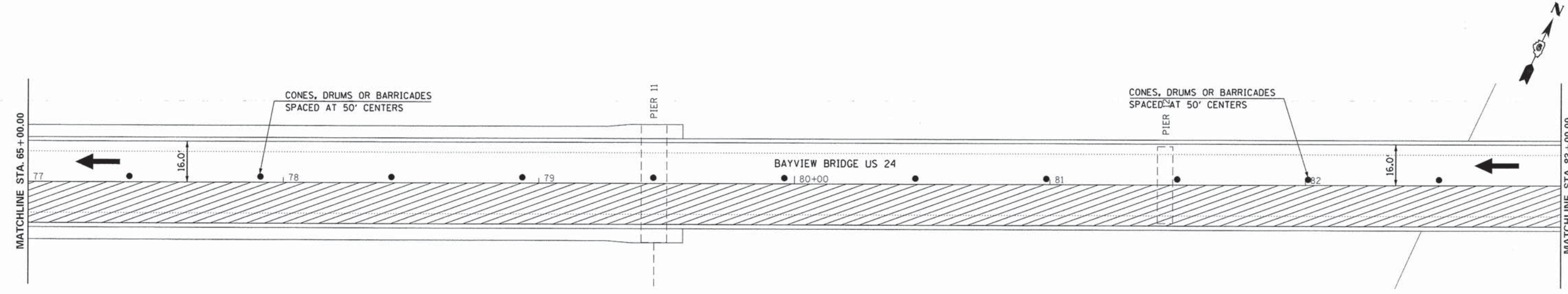
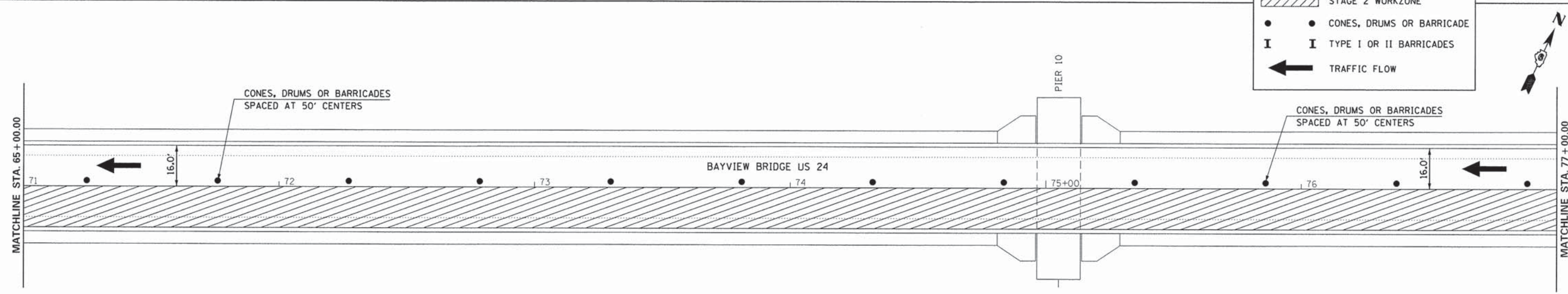
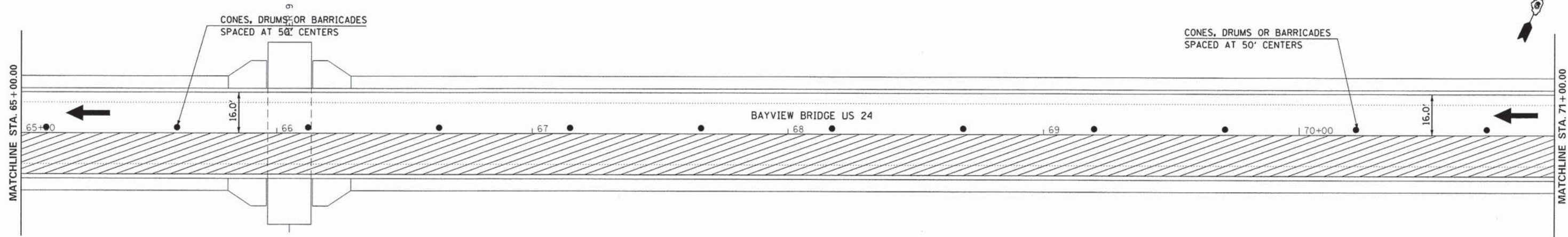
USER NAME = seb	DESIGNED - IDOT D6 / SEB	REVISED -
DRAWN - SEB	CHECKED -	REVISED -
FLUT SCALE = 40,0000' / in.	DATE -	REVISED -
FLUT DATE = 10/9/2013		

**CITY OF QUINCY, ILLINOIS
BAYVIEW BRIDGE LIGHTING**

**TRAFFIC CONTROL & PROTECTION
STAGE 2**

SCALE: 1"=20' SHEET 1 OF 5 SHEETS STA. 46+00 TO STA. 65+00

F.A.P. RTE.	SECTION	COUNTY	TOTAL SHEETS	SHEET NO.
63	05-00297-00-LT	ADAMS	31	12
CONTRACT NO. 93608			ILLINOIS FED. AID PROJECT	



TRAFFIC CONTROL & PROTECTION LEGEND	
	STAGE 2 WORKZONE
	CONES, DRUMS OR BARRICADE
	TYPE I OR II BARRICADES
	TRAFFIC FLOW

FILE NAME = D:\07\Files\070371\04-Plans\Plans\st 07-00371 traf.c stage 2.dgn

KLINGNER & ASSOCIATES, P.C.
Engineers • Architects • Surveyors

USER NAME = seb
PLOT SCALE = 40,0000' / 1" =
PLOT DATE = 10/9/2013

DESIGNED - IDOT D6 / SEB
DRAWN - SEB
CHECKED -
DATE -





REVISED -
REVISED -
REVISED -
REVISED -

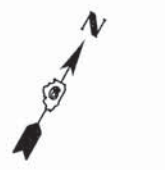
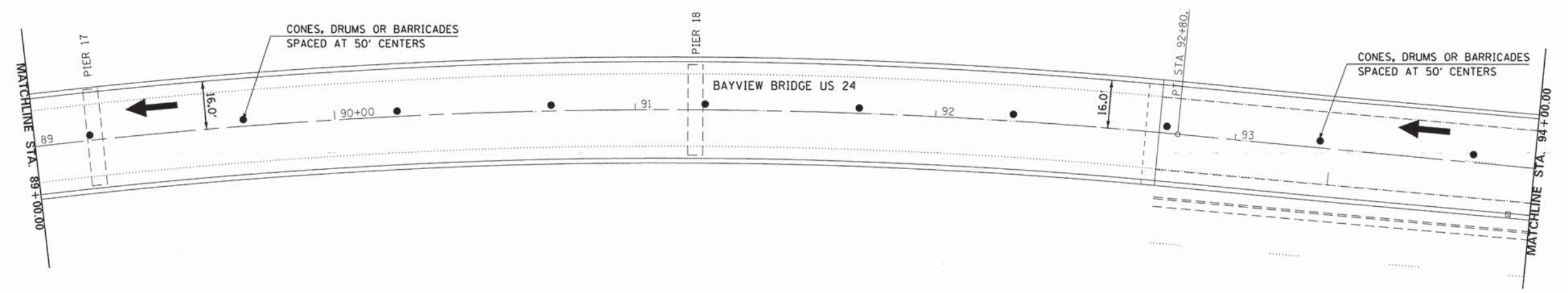
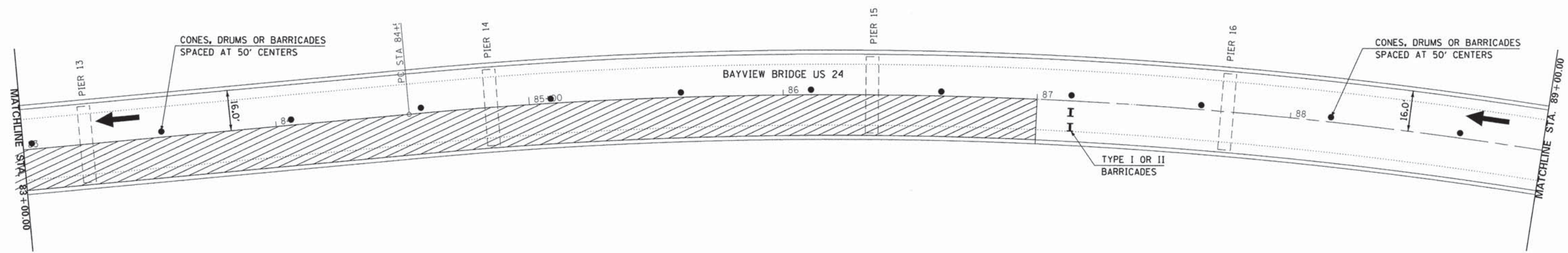
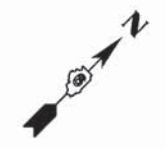
**CITY OF QUINCY, ILLINOIS
BAYVIEW BRIDGE LIGHTING**

**TRAFFIC CONTROL & PROTECTION
STAGE 2**

F.A.P. RTE.	SECTION	COUNTY	TOTAL SHEETS	SHEET NO.
63	05-00297-00-LT	ADAMS	31	13
CONTRACT NO. 93608				
ILLINOIS FED. AID PROJECT				

SCALE: 1"=20' SHEET 2 OF 5 SHEETS STA. 65+00 TO STA. 83+00

TRAFFIC CONTROL & PROTECTION LEGEND	
	STAGE 2 WORKZONE
	CONES, DRUMS OR BARRICADE
	TYPE I OR II BARRICADES
	TRAFFIC FLOW



FILE NAME = Q:\071\104\070371\04 Plans\Plans\ht 07-08371 traffic stage 2.dgn

KLINGNER & ASSOCIATES, P.C.
Engineers • Architects • Surveyors

USER NAME = seb	DESIGNED - IDOT D6 / SEB	REVISED -
DRAWN - SEB	CHECKED -	REVISED -
PLOT SCALE = 40,0000' / in.	DATE -	REVISED -
PLOT DATE = 10/9/2013		

**CITY OF QUINCY, ILLINOIS
BAYVIEW BRIDGE LIGHTING**

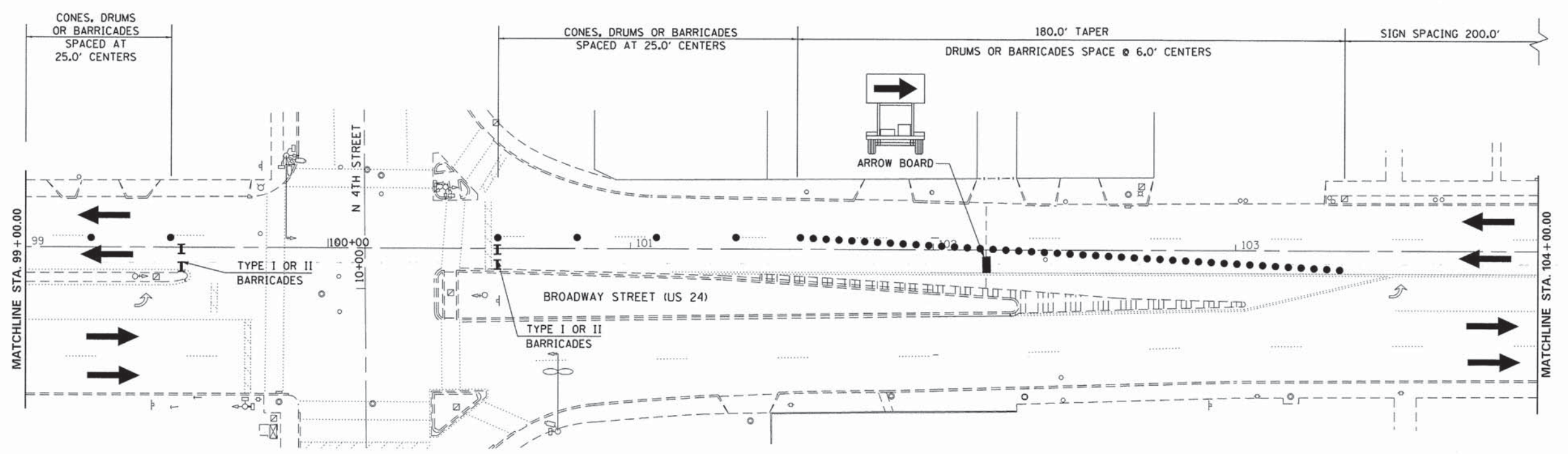
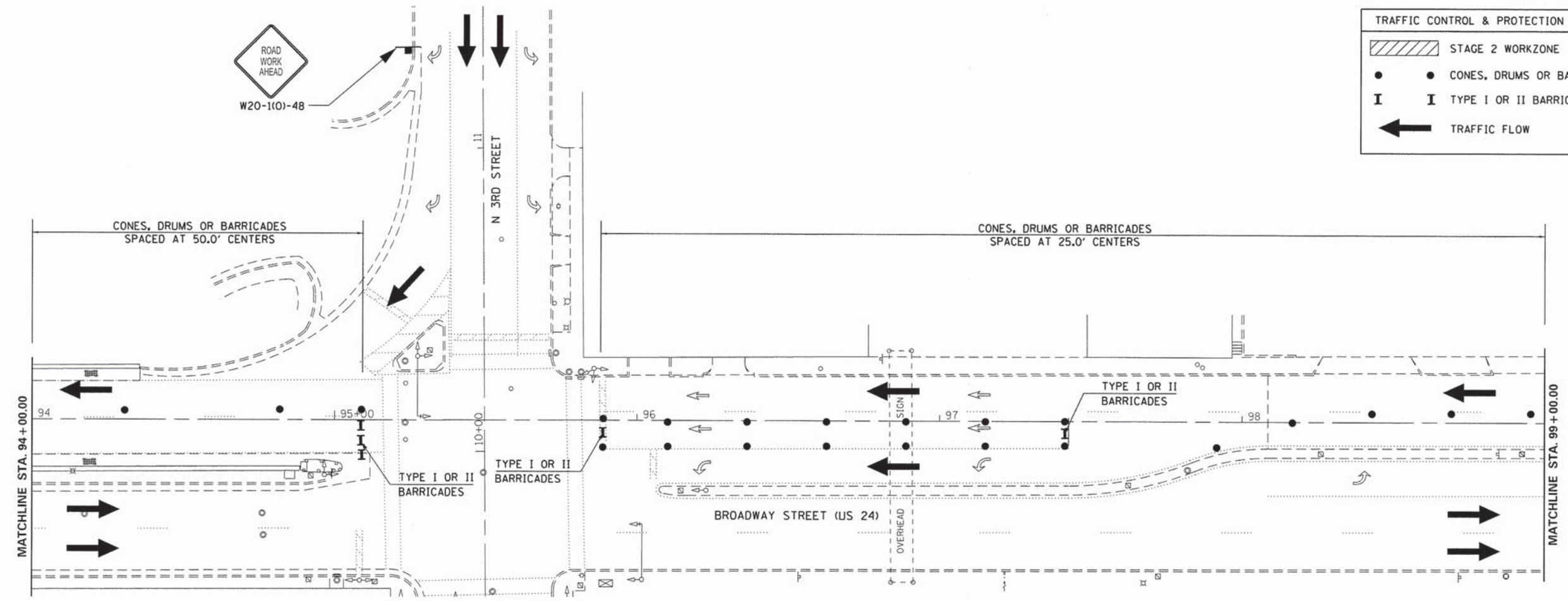
**TRAFFIC CONTROL & PROTECTION
STAGE 2**

SCALE: 1"=20' SHEET 3 OF 5 SHEETS STA. 83+00 TO STA. 94+00

F.A.P. RTE.	SECTION	COUNTY	TOTAL SHEETS	SHEET NO.
63	05-00297-00-LT	ADAMS	31	14
CONTRACT NO 93608			ILLINOIS FED. AID PROJECT	



TRAFFIC CONTROL & PROTECTION LEGEND	
	STAGE 2 WORKZONE
	CONES, DRUMS OR BARRICADE
	TYPE I OR II BARRICADES
	TRAFFIC FLOW



FILE NAME = 02-0771\es\078371\04-Plans\Plans\stg 07-08371 traffic stage 2.dgn

KLINGNER & ASSOCIATES, P.C.
Engineers • Architects • Surveyors

USER NAME = seb
PLOT SCALE = 40,0000' / 1" =
PLOT DATE = 10/9/2013





DESIGNED - IDOT D6 / SEB
DRAWN - SEB
CHECKED -
DATE -

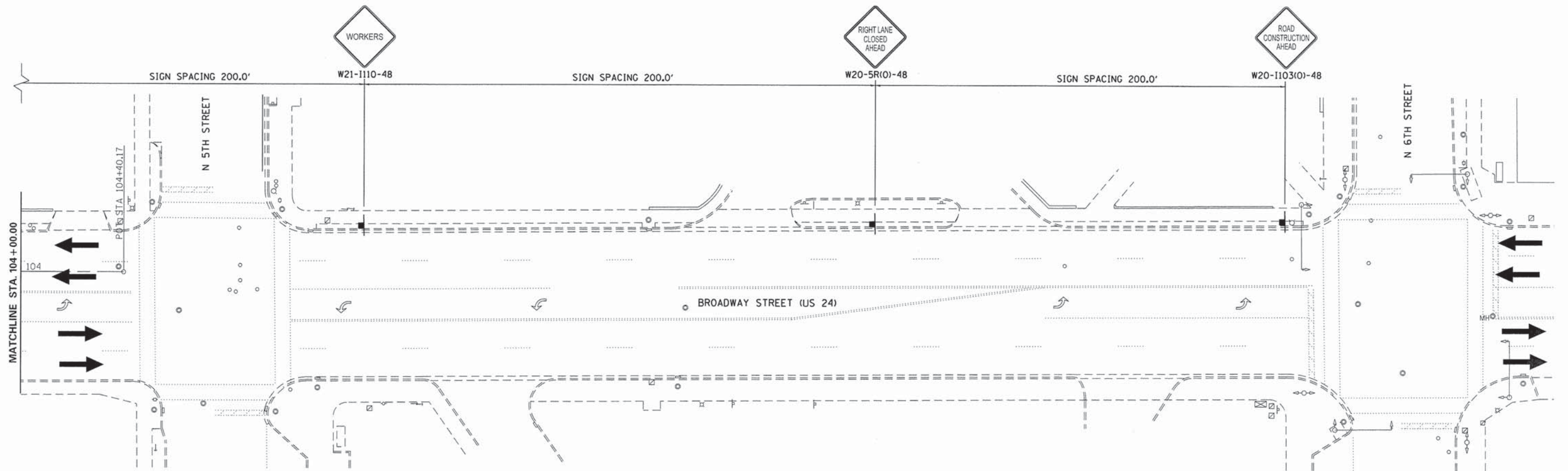
REVISED -
REVISED -
REVISED -
REVISED -

**CITY OF QUINCY, ILLINOIS
BAYVIEW BRIDGE LIGHTING**

**TRAFFIC CONTROL & PROTECTION
STAGE 2**
SCALE: 1"=20' SHEET 4 OF 5 SHEETS STA. 94+00 TO STA. 104+00

F.A.P. RTE.	SECTION	COUNTY	TOTAL SHEETS	SHEET NO.
63	05-00297-00-LT	ADAMS	31	15
CONTRACT NO. 93608				
ILLINOIS FED. AID PROJECT				

TRAFFIC CONTROL & PROTECTION LEGEND	
	STAGE 2 WORKZONE
	CONES, DRUMS OR BARRICADE
	TYPE I OR II BARRICADES
	TRAFFIC FLOW



FILE NAME = D:\077\1105\070371\04 Plans\Plans\st 07-08371 traffic stage 2.dgn

KLINGNER & ASSOCIATES, P.C.
 Engineers • Architects • Surveyors

USER NAME = seb	DESIGNED - IDOT D6 / SEB	REVISED -
PLLOT SCALE = 40,0000' / in.	DRAWN - SEB	REVISED -
PLLOT DATE = 10/9/2013	CHECKED -	REVISED -
	DATE -	REVISED -

DESIGNED - IDOT D6 / SEB	REVISED -
DRAWN - SEB	REVISED -
CHECKED -	REVISED -
DATE -	REVISED -

**CITY OF QUINCY, ILLINOIS
 BAYVIEW BRIDGE LIGHTING**

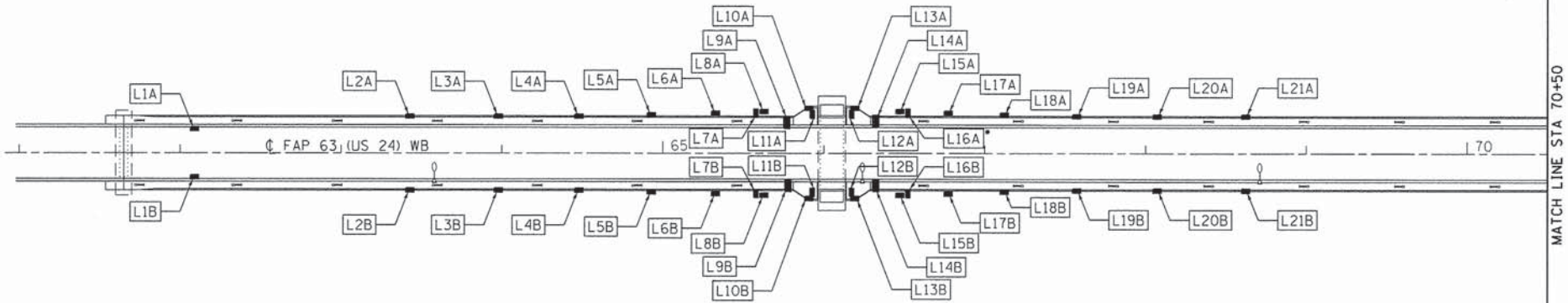
**TRAFFIC CONTROL & PROTECTION
 STAGE 2**

SCALE: 1"=20' SHEET 5 OF 5 SHEETS STA. 104+00 TO STA.

F.A.P. RTE.	SECTION	COUNTY	TOTAL SHEETS	SHEET NO.
63	05-00297-00-LT	ADAMS	31	16
			CONTRACT NO. 3608	
ILLINOIS FED. AID PROJECT				

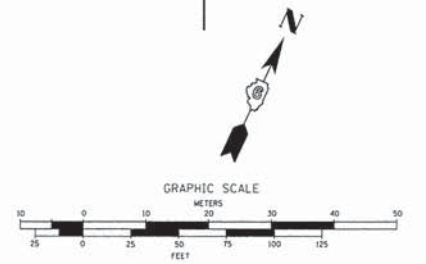
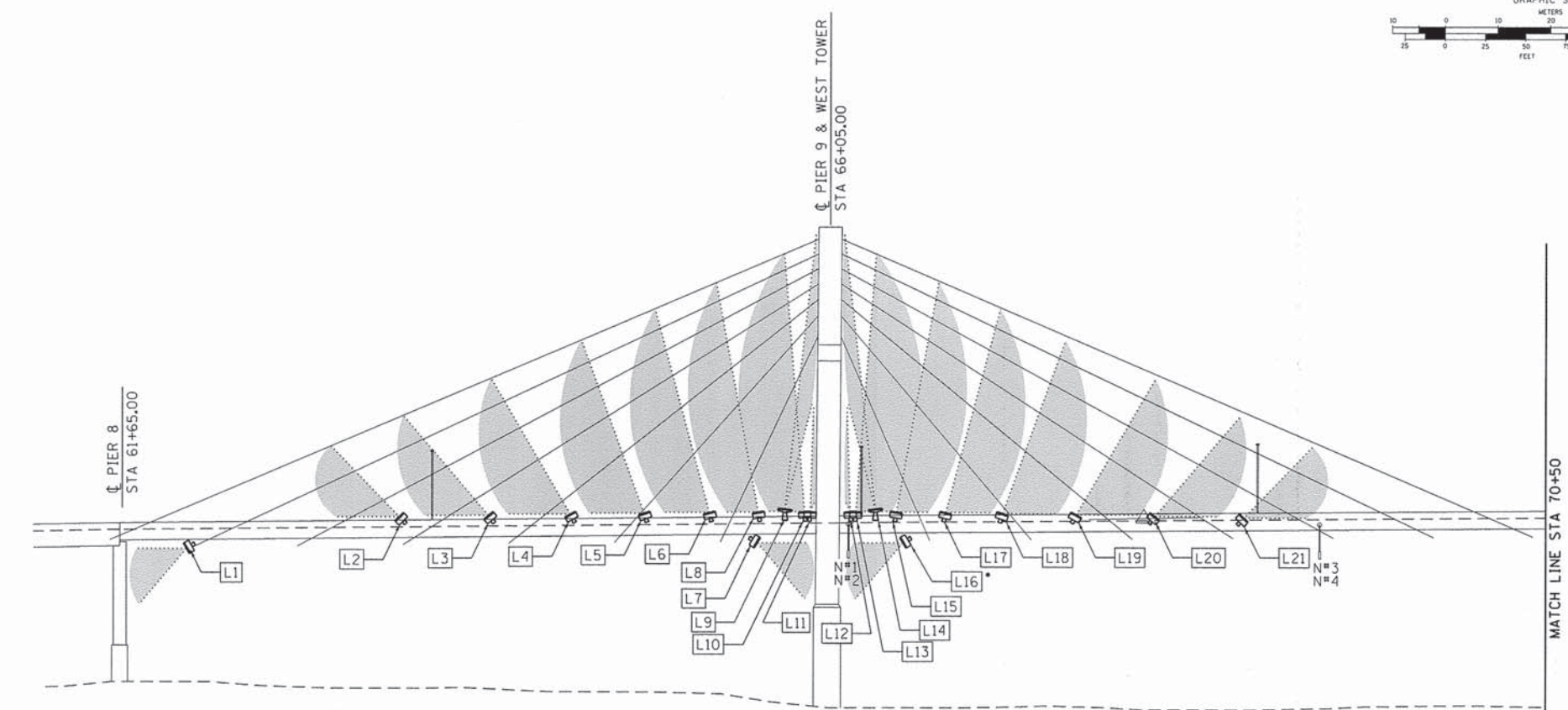
WEST TOWER LIGHTING SCHEDULE

UNIT #	STATION	OFFSET	LUMINAIRE, LED					MOUNT ANGLE (°)	BEAM ANGLE	
			60 WATT							270 WATT
			TY 1	TY 2	TY 3	TY 4	TY 5			
1A	62+09.00	24.0' LT				1		90°	40°	
1B	62+09.00	24.0' RT				1		90°	40°	
2A	63+42.75	23.0' LT		1				45°	10°x35°	
2B	63+42.75	23.0' RT		1				45°	10°x35°	
3A	63+97.75	23.0' LT		1				50°	10°x35°	
3B	63+97.75	23.0' RT		1				50°	10°x35°	
4A	64+47.75	23.0' LT		1				60°	10°x35°	
4B	64+47.75	23.0' RT		1				60°	10°x35°	
5A	64+92.75	24.0' LT			1			70°	10°x35°	
5B	64+92.75	24.0' RT			1			70°	10°x35°	
6A	65+32.75	25.0' LT			1			75°	10°	
6B	65+32.75	25.0' RT			1			75°	10°	
7A	65+57.75	24.0' LT				1		90°	40°	
7B	65+57.75	24.0' RT				1		90°	40°	
8A	65+62.75	26.0' LT			1			80°	10°	
8B	65+62.75	26.0' RT			1			80°	10°	
9A	65+77.75	20.0' LT					1	90°	5°	
9B	65+77.75	20.0' RT					1	90°	5°	
10A	65+89.75	28.0' LT		1				85°	10°	
10B	65+89.75	28.0' RT		1				85°	10°	
11A	65+92.75	24.25' LT	1					90°	10°	
11B	65+92.75	24.25' RT	1					90°	10°	
12A	66+17.25	24.25' LT	1					90°	10°	
12B	66+17.25	24.25' RT	1					90°	10°	
13A	66+20.25	28.0' LT		1				85°	10°	
13B	66+20.25	28.0' RT		1				85°	10°	
14A	66+32.25	20.0' LT					1	90°	5°	
14B	66+32.25	20.0' RT					1	90°	5°	
15A	66+47.25	26.0' LT			1			80°	10°	
15B	66+47.25	26.0' RT			1			80°	10°	
16A	66+52.25	24.0' LT				1		90°	40°	
16B	66+52.25	24.0' RT				1		90°	40°	
17A	66+77.25	25.0' LT			1			75°	10°	
17B	66+77.25	25.0' RT			1			75°	10°	
18A	67+12.25	24.0' LT			1			70°	10°x35°	
18B	67+12.25	24.0' RT			1			70°	10°x35°	
19A	67+57.25	23.0' LT		1				60°	10°x35°	
19B	67+57.25	23.0' RT		1				60°	10°x35°	
20A	68+07.25	23.0' LT		1				50°	10°x35°	
20B	68+07.25	23.0' RT		1				50°	10°x35°	
21A	68+62.25	23.0' LT		1				45°	10°x35°	
21B	68+62.25	23.0' RT		1				45°	10°x35°	
SUBTOTAL WEST TOWER:			4	16	12	6	0	4		



SEE SHEETS 22-25 FOR MOUNTING DETAILS.
ALL LUMINAIRES SHALL HAVE A GLARE SHIELD
SEE SHEET 21.

* - LUMINAIRE MOUNT WITH PHOTOCCELL
OFF SWITCH FOR RIVER TRAFFIC.
LIGHTS L16A & L27B



FILE NAME = G:\077\115\070371\04 - Plans\Plans\07-00371 Lighting plan.tbl

KLINGNER & ASSOCIATES, P.C.
Engineers • Architects • Surveyors

USER NAME = seb
PLOT SCALE = 1/8" = 1' / in.
PLOT DATE = 10/11/2013

DESIGNED - JAK
DRAWN - SEB
CHECKED -
DATE -

REVISED -
REVISED -
REVISED -
REVISED -

**CITY OF QUINCY, ILLINOIS
BAYVIEW BRIDGE LIGHTING**

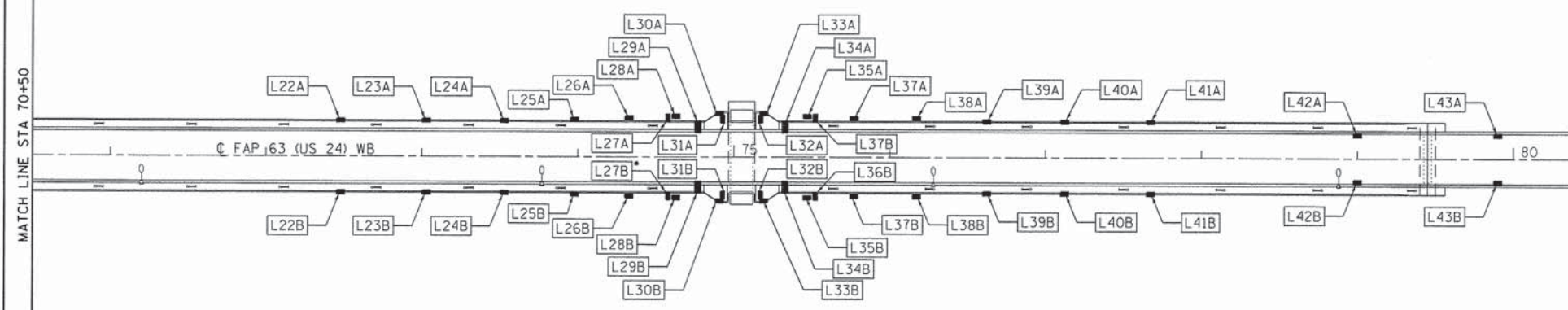
LIGHTING PLAN & PROFILE

SCALE: 1"=50' SHEET 1 OF 2 SHEETS STA. 61+00 TO STA. 70+50

F.A.P. RTE. 63	SECTION 05-00297-00-LT	COUNTY ADAMS	TOTAL SHEETS 31	SHEET NO. 17
CONTRACT NO. 03608				
ILLINOIS FED. AID PROJECT				

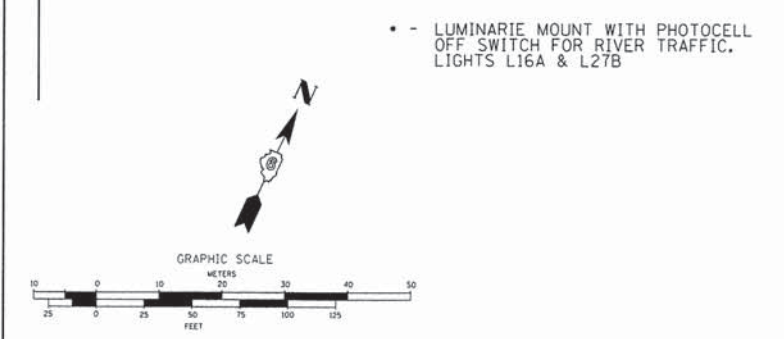
EAST TOWER LIGHTING SCHEDULE

UNIT #	STATION	OFFSET	LUMINAIRE, LED					MOUNT ANGLE (α)	BEAM ANGLE	
			60 WATT							270 WATT
			TY 1	TY 2	TY 3	TY 4	TY 5			TY 1
L22A	72+47.75	23.0' LT		1				45°	10°x35°	
L22B	72+47.75	23.0' RT		1				45°	10°x35°	
L23A	73+02.75	23.0' LT		1				50°	10°x35°	
L23B	73+02.75	23.0' RT		1				50°	10°x35°	
L24A	73+52.75	23.0' LT		1				60°	10°x35°	
L24B	73+52.75	23.0' RT		1				60°	10°x35°	
L25A	73+97.75	24.0' LT			1			70°	10°x35°	
L25B	73+97.75	24.0' RT			1			70°	10°x35°	
L26A	74+32.75	25.0' LT			1			75°	10°	
L26B	74+32.75	25.0' RT			1			75°	10°	
L27A	74+57.75	24.0' LT				1		90°	40°	
L27B	74+57.75	24.0' RT				1		90°	40°	
L28A	74+62.75	26.0' LT			1			80°	10°	
L28B	74+62.75	26.0' RT			1			80°	10°	
L29A	74+77.75	20.0' LT					1	90°	5°	
L29B	74+77.75	20.0' RT					1	90°	5°	
L30A	74+89.75	28.0' LT		1				85°	10°	
L30B	74+89.75	28.0' RT		1				85°	10°	
L31A	74+92.75	24.25' LT	1					90°	10°	
L31B	74+92.75	24.25' RT	1					90°	10°	
L32A	75+17.25	24.25' LT	1					90°	10°	
L32B	75+17.25	24.25' RT	1					90°	10°	
L33A	75+20.25	28.0' LT		1				85°	10°	
L33B	75+20.25	28.0' RT		1				85°	10°	
L34A	75+32.25	20.0' LT					1	90°	5°	
L34B	75+32.25	20.0' RT					1	90°	5°	
L35A	75+47.25	26.0' LT			1			80°	10°	
L35B	75+47.25	26.0' RT			1			80°	10°	
L36A	75+52.25	24.0' LT				1		90°	40°	
L36B	75+52.25	24.0' RT				1		90°	40°	
L37A	75+77.25	25.0' LT			1			75°	10°	
L37B	75+77.25	25.0' RT			1			75°	10°	
L38A	76+17.25	24.0' LT			1			70°	10°x35°	
L38B	76+17.25	24.0' RT			1			70°	10°x35°	
L39A	76+62.25	23.0' LT		1				60°	10°x35°	
L39B	76+62.25	23.0' RT		1				60°	10°x35°	
L40A	77+12.25	23.0' LT		1				50°	10°x35°	
L40B	77+12.25	23.0' RT		1				50°	10°x35°	
L41A	77+67.25	23.0' LT		1				45°	10°x35°	
L41B	77+67.25	23.0' RT		1				45°	10°x35°	
L42A	79+01.00	24.0' LT				1		90°	40°	
L42B	79+01.00	24.0' RT				1		90°	40°	
L43A	79+89.00	18.3' LT					1	90°	40°	
L43B	79+89.00	18.3' RT					1	90°	40°	
SUBTOTAL EAST TOWER:			4	16	12	6	2	4		
TOTAL WEST & EAST TOWER:			8	32	24	12	2	8		



PLAN

SEE SHEETS 22-25 FOR MOUNTING DETAILS.
ALL LUMINAIRES SHALL HAVE A GLARE SHIELD
SEE SHEET 21.



PROFILE

FILE NAME = D:\07\lins\070371\04 Plans\Plans\lghting plan.lgdg

KLINGNER & ASSOCIATES, P.C.
Engineers • Architects • Surveyors

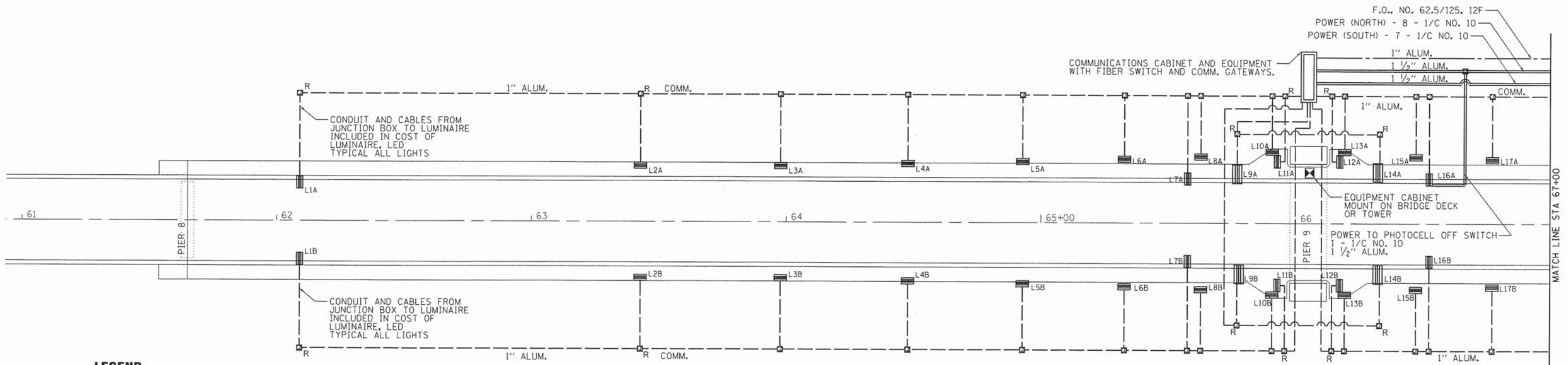
USER NAME = seb	DESIGNED - JAK	REVISED -
PLOT SCALE = 100.0000' / 1"	DRAWN - SEB	REVISED -
PLOT DATE = 10/11/2013	CHECKED -	REVISED -
	DATE -	REVISED -

**CITY OF QUINCY, ILLINOIS
BAYVIEW BRIDGE LIGHTING**

LIGHTING PLAN & PROFILE

SCALE: 1"=50' SHEET 2 OF 2 SHEETS STA. 70+50 TO STA. 82+00

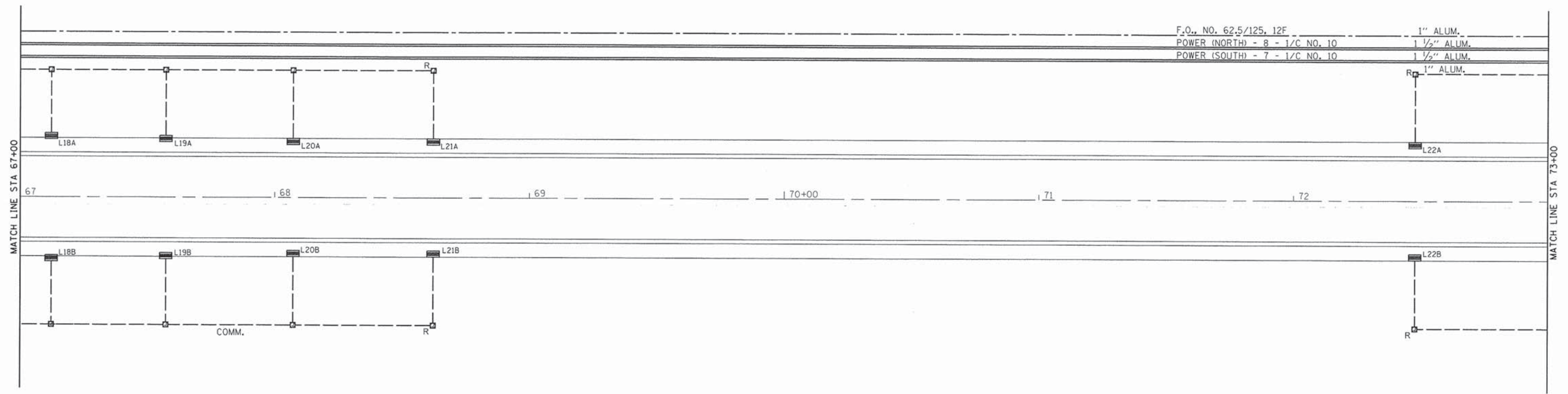
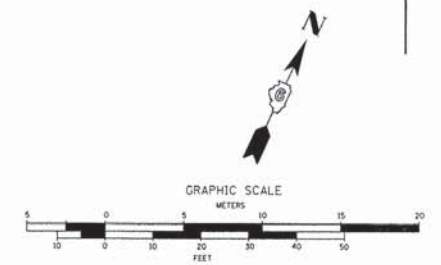
F.A.P. RTE. 63	SECTION 05-00297-00-LT	COUNTY ADAMS	TOTAL SHEETS 31	SHEET NO. 18
CONTRACT NO. 93608				
ILLINOIS FED. AID PROJECT				



LEGEND

- 1" ALUMINUM CONDUIT W/ FIBER
- ==== 1 1/2" ALUMINUM CONDUIT W/ POWER
- - - - 1" ALUMINUM CONDUIT W/ DMX
- ▬ LUMINAIRE, LED, 60 OR 270 WATT
- R RIGID CONNECTION TO BACK OF PARAPET
- JUNCTION BOX ATTACHED TO STRUCTURE (4"x4"x3")
- ⊙ JUNCTION BOX ATTACHED TO STRUCTURE (8"x8"x6")

NOTE:
CONDUIT DIAGRAM IS SCHEMATIC.
SEE SCHEDULE FOR QUANTITIES.
EXPANSION FITTINGS REQUIRED
EVERY 50' OF CONDUIT.



FILE NAME = G:\077\105\070371\04 - Plans\Plans\07-06371 conduit plan.dgn

KLINGNER & ASSOCIATES, P.C.
Engineers • Architects • Surveyors

USER NAME = seb
PLOT SCALE = 48,0000' / 1"
PLOT DATE = 10/9/2013

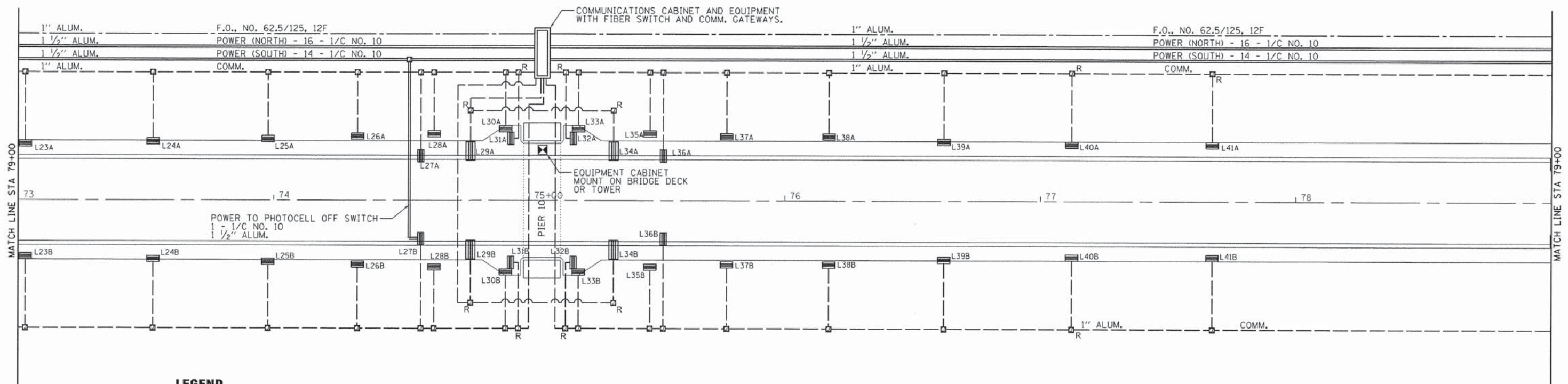
DESIGNED -	REVISED -
DRAWN -	REVISED -
CHECKED -	REVISED -
DATE -	REVISED -

**CITY OF QUINCY, ILLINOIS
BAYVIEW BRIDGE LIGHTING**

CONDUIT PLAN

SCALE: 1"=20' SHEET 1 OF 3 SHEETS STA. 61+00 TO STA. 73+00

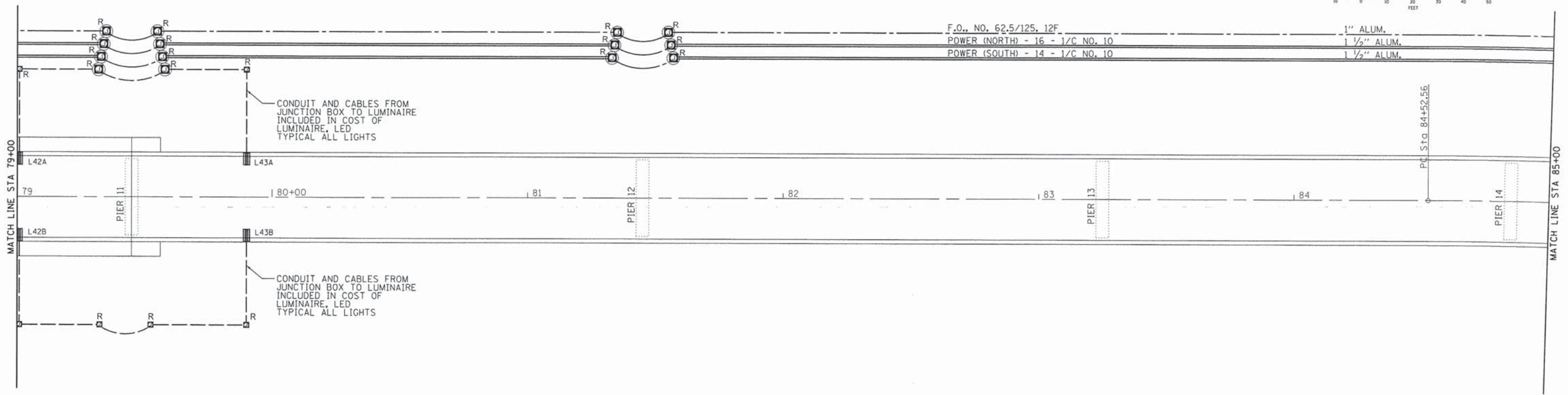
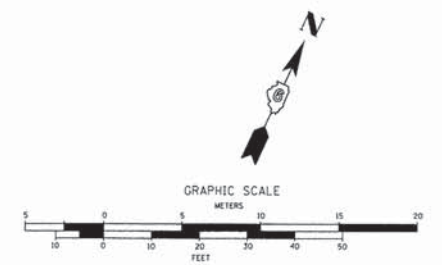
F.A.P. RTE.	SECTION	COUNTY	TOTAL SHEETS	SHEET NO.
63	05-00297-00-LT	ADAMS	31	19
CONTRACT NO. 93608				
ILLINOIS FED. AID PROJECT				



LEGEND

- 1" ALUMINUM CONDUIT W/ FIBER
- ==== 1 1/2" ALUMINUM CONDUIT W/ POWER
- - - 1" ALUMINUM CONDUIT W/ DMX
- LUMINAIRE, LED, 60 OR 270 WATT
- R RIGID CONNECTION TO BACK OF PARAPET
- JUNCTION BOX ATTACHED TO STRUCTURE (4"x4"x3")
- ⊕ JUNCTION BOX ATTACHED TO STRUCTURE (8"x8"x6")

NOTE:
CONDUIT DIAGRAM IS SCHEMATIC.
SEE SCHEDULE FOR QUANTITIES.
EXPANSION FITTINGS REQUIRED
EVERY 50' OF CONDUIT.



FILE NAME = Q:\077\Jobs\078371\B4_Plan\Plans\shs 87-08371 conduit plan2.dgn

KLINGNER & ASSOCIATES, P.C.
Engineers • Architects • Surveyors

USER NAME = seb
PLOT SCALE = 40,0000 ' / in.
PLOT DATE = 10/9/2013

DESIGNED -
DRAWN -
CHECKED -
DATE -

REVISED -
REVISED -
REVISED -
REVISED -

**CITY OF QUINCY, ILLINOIS
BAYVIEW BRIDGE LIGHTING**

CONDUIT PLAN

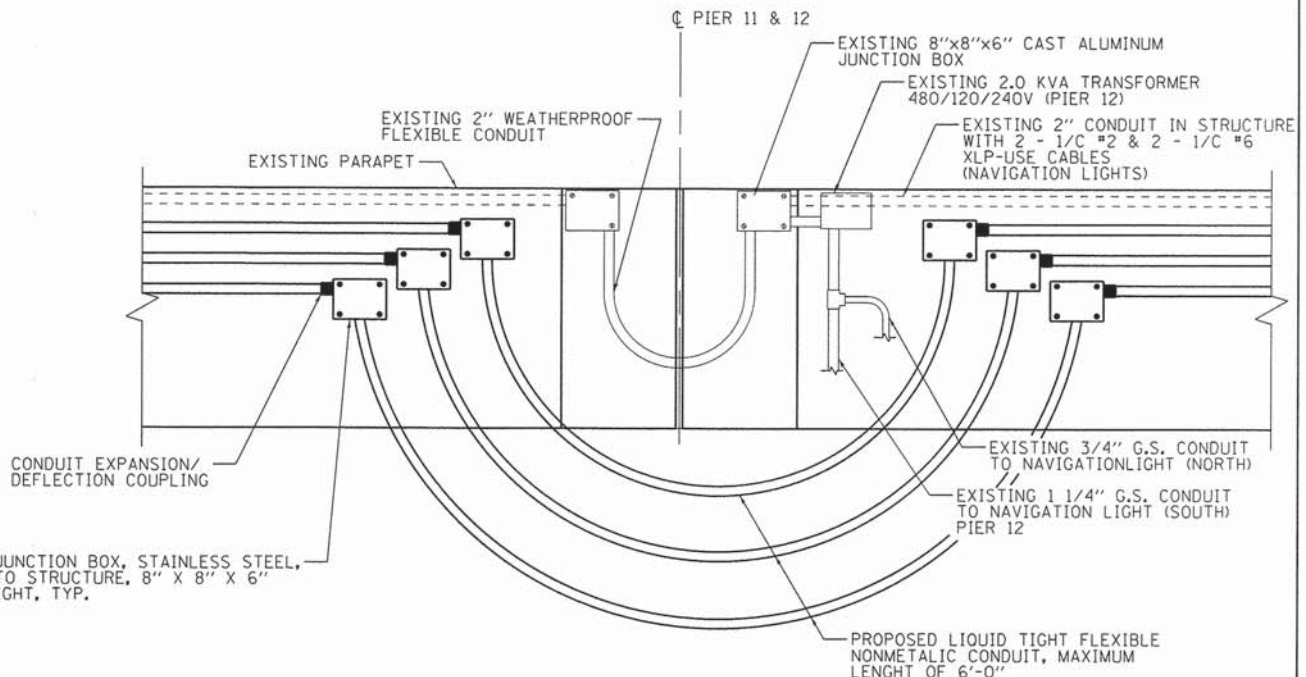
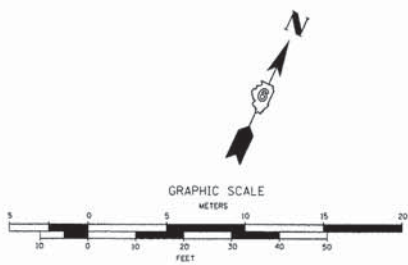
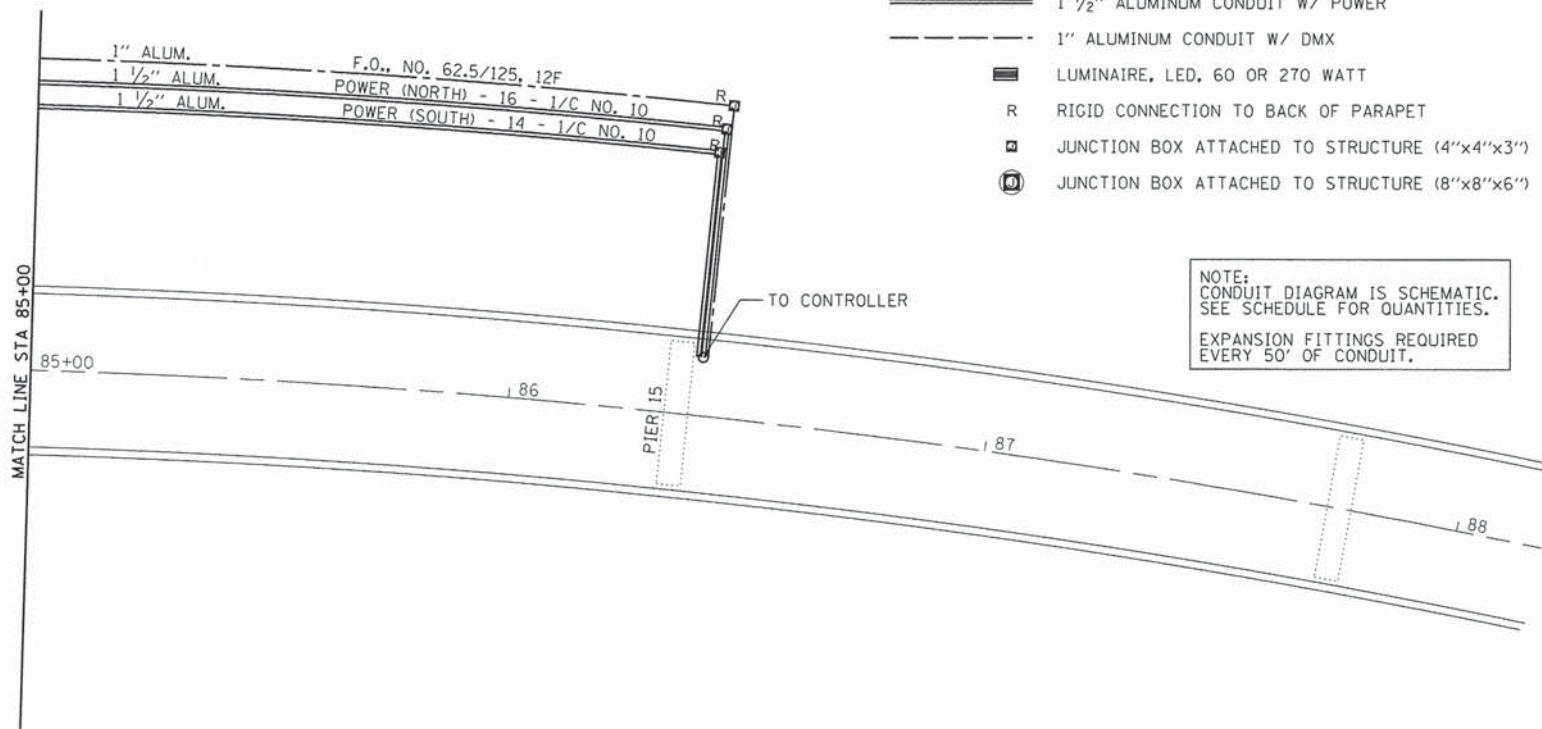
SCALE: SHEET 2 OF 3 SHEETS STA. 73+00 TO STA. 85+00

F.A.P. RTE.	SECTION	COUNTY	TOTAL SHEETS	SHEET NO.
63	05-00297-00-LT	ADAMS	31	20
CONTRACT NO. 93608			ILLINOIS FED. AID PROJECT	

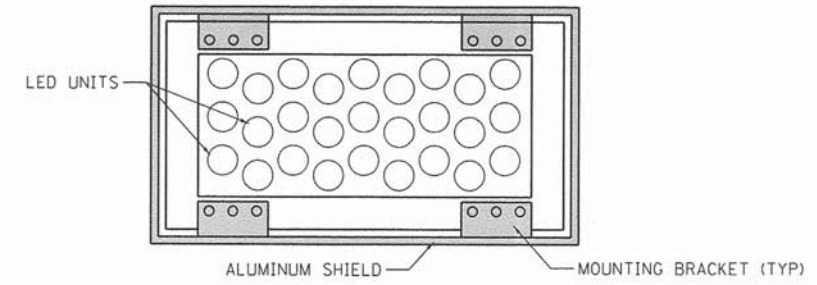
LEGEND

- 1" ALUMINUM CONDUIT W/ FIBER
- 1 1/2" ALUMINUM CONDUIT W/ POWER
- - - 1" ALUMINUM CONDUIT W/ DMX
- LUMINAIRE, LED, 60 OR 270 WATT
- R RIGID CONNECTION TO BACK OF PARAPET
- JUNCTION BOX ATTACHED TO STRUCTURE (4"x4"x3")
- ⊙ JUNCTION BOX ATTACHED TO STRUCTURE (8"x8"x6")

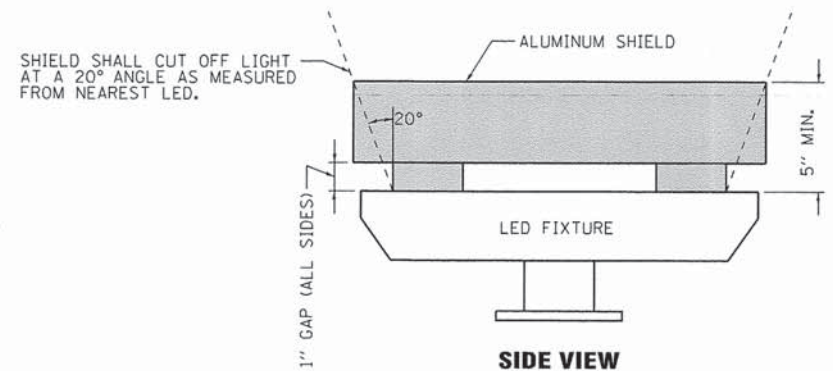
NOTE:
CONDUIT DIAGRAM IS SCHEMATIC.
SEE SCHEDULE FOR QUANTITIES.
EXPANSION FITTINGS REQUIRED
EVERY 50' OF CONDUIT.



CONDUIT DETAIL - BRIDGE EXPANSION JOINTS



PLAN VIEW



SIDE VIEW

LUMINAIRE SHIELDING DETAIL

COST OF SHIELD SHALL BE INCLUDED IN THE UNIT COST OF THE PAY ITEM, "LUMINAIRE, LED" OF THE SPECIFIED MOUNTING TYPE.

FILE NAME = G:\877iles\878371\04 Plans\Plans\shs 87-08371 conduit plan3.dgn

KLINGNER & ASSOCIATES, P.C.
Engineers • Architects • Surveyors

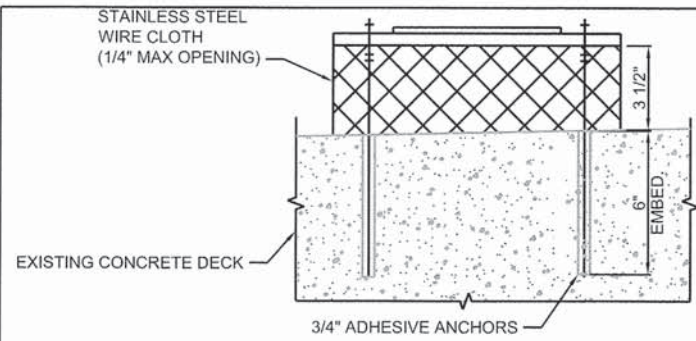
USER NAME = seb	DESIGNED -	REVISED -
PLOT SCALE = 40,0000' / in.	DRAWN -	REVISED -
PLOT DATE = 10/9/2013	CHECKED -	REVISED -
	DATE -	REVISED -

**CITY OF QUINCY, ILLINOIS
BAYVIEW BRIDGE LIGHTING**

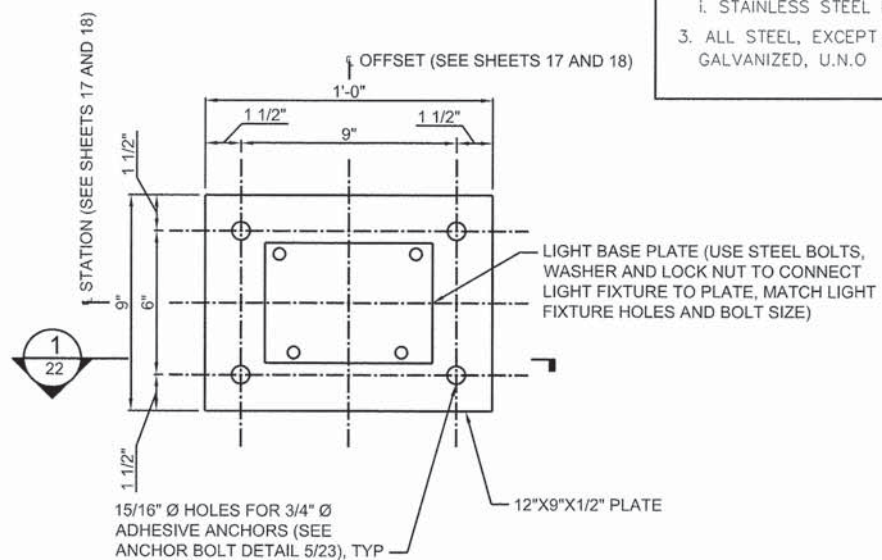
CONDUIT PLAN & DETAILS

SCALE: SHEET 3 OF 3 SHEETS STA. 73+00 TO STA. 88+00

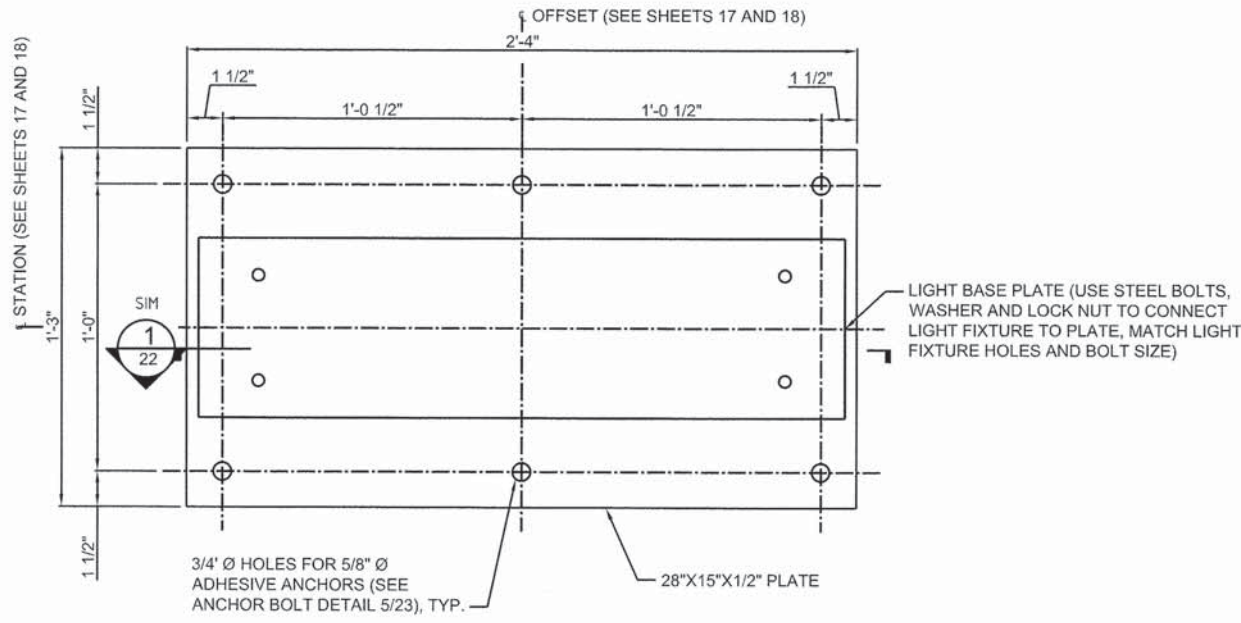
F.A.P. RTE. 63	SECTION 05-00297-00-LT	COUNTY ADAMS	TOTAL SHEETS 31	SHEET NO. 21
CONTRACT NO. 93608				ILLINOIS FED. AID PROJECT



1 DETAIL
22 SCALE: 3"=1'-0"



A PLAN 60 WATT LUMINAIRE - TYPE 1 MOUNTING
22 SCALE: 3"=1'-0"



B PLAN 270 WATT LUMINAIRE - TYPE 1 MOUNTING
22 SCALE: 3"=1'-0"

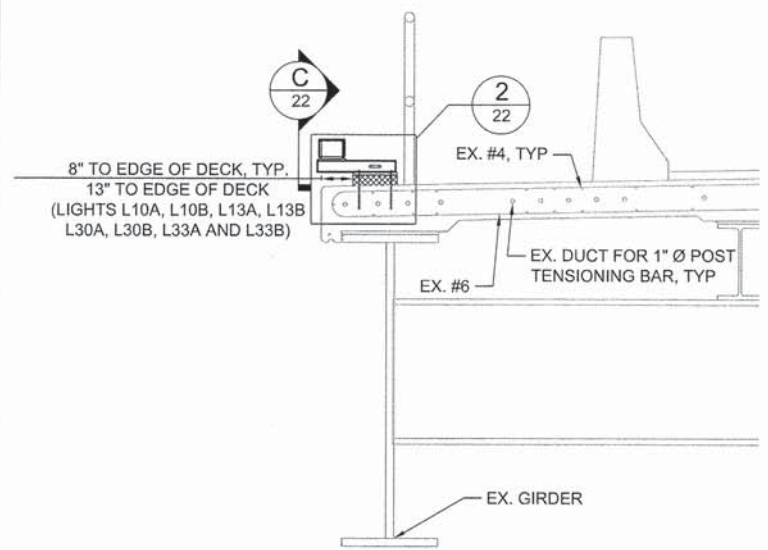
TYPE 1 MOUNTING DETAILS

LIGHT LOADS

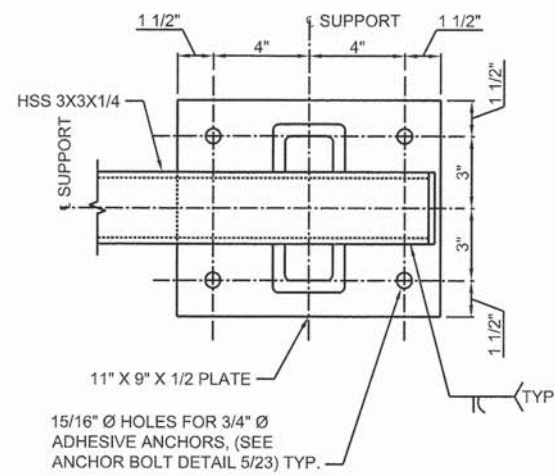
60 WATT LUMINAIRE DEAD LOAD 10 LBS
270 WATT LUMINAIRE DEAD LOAD 45 LBS

GENERAL NOTES

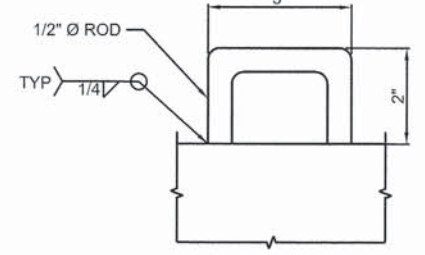
- STEEL**
1. DETAILING, FABRICATION AND ERECTION SHALL CONFORM TO THE AISC SPECIFICATIONS AND STANDARD CODE OF PRACTICE, 13TH ED.
 2. STEEL SHALL CONFORM TO THE FOLLOWING GRADES:
 - a. PLATES AND ANGLES - ASTM A36, U.N.O
 - b. STEEL PIPES - ASTM A53, GR. B, U.N.O
 - c. STEEL TUBES - ASTM A500, GR. B, Fy=46ksi, U.N.O
 - d. BOLTS - ASTM 325 GALVANIZED, U.N.O
 - e. WASHERS - ASTM F436 GALVANIZED, U.N.O
 - f. ANCHOR RODS (BOLTS) - ASTM F1554 GRADE 36, GALVANIZED
 - g. WELDING ELECTRODES - E70xx, COMPLY WITH AWS REQUIREMENTS
 - h. STAINLESS STEEL BOLTS - ASTM F593, GRADE 316L
 - i. STAINLESS STEEL PIPE - ASTM A312, GRADE 316L
 3. ALL STEEL, EXCEPT STAINLESS, SHALL BE HOT DIPPED GALVANIZED, U.N.O



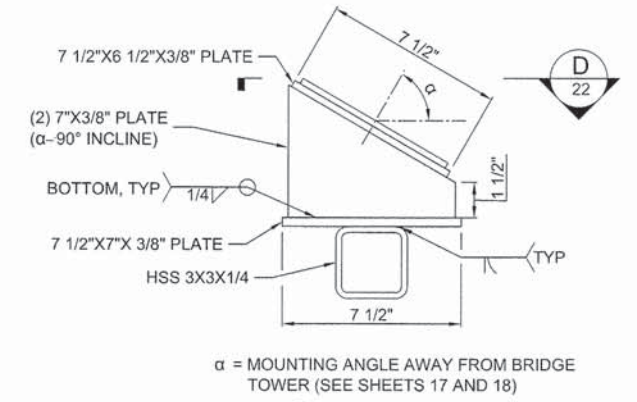
SECTION - TYPE 2 MOUNTING
SCALE: 1/2" = 1'-0"



E SECTION
22 SCALE: 3"=1'-0"

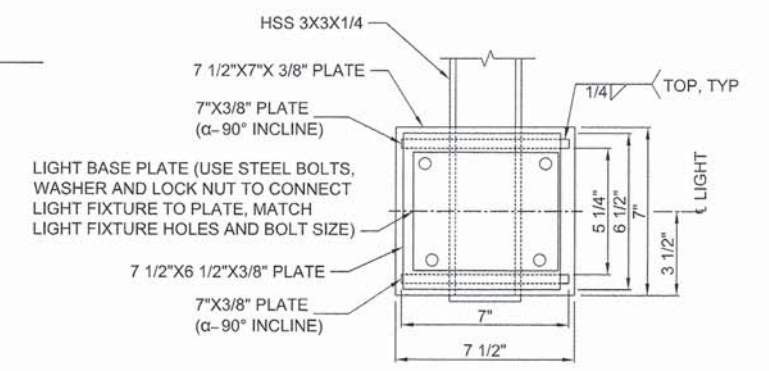


3 DETAIL
22 SCALE: 6"=1'-0"

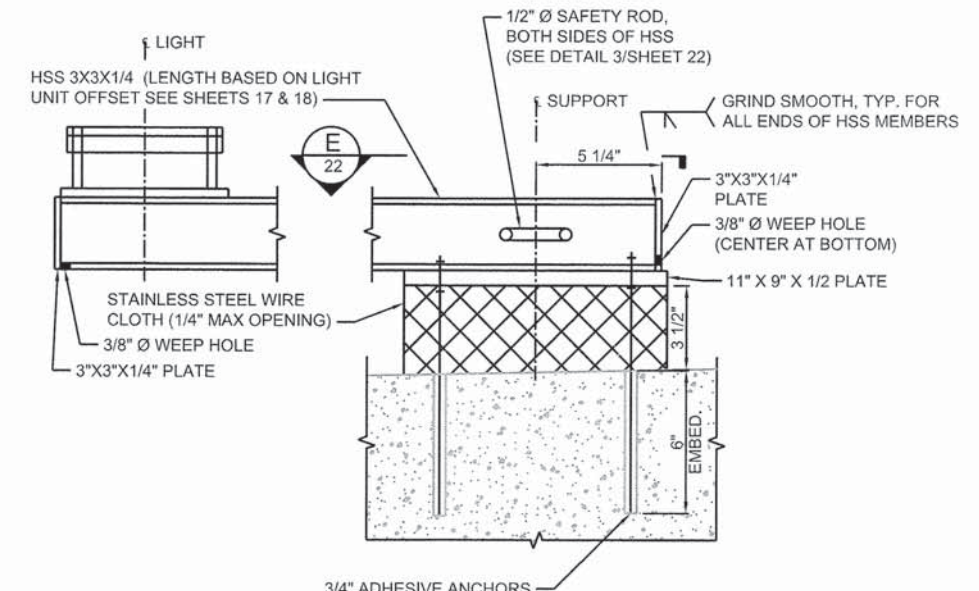


α = MOUNTING ANGLE AWAY FROM BRIDGE TOWER (SEE SHEETS 17 AND 18)

C SECTION
22 SCALE: 3"=1'-0"



D SECTION
22 SCALE: 3"=1'-0"



2 DETAIL
22 SCALE: 3"=1'-0"

TYPE 2 MOUNTING DETAILS

FILE NAME: Q:\307\Files\070371\04 Plans\Plans\Bt 07-00371 mounting detail.dgn

KLINGNER & ASSOCIATES, P.C.
Engineers • Architects • Surveyors

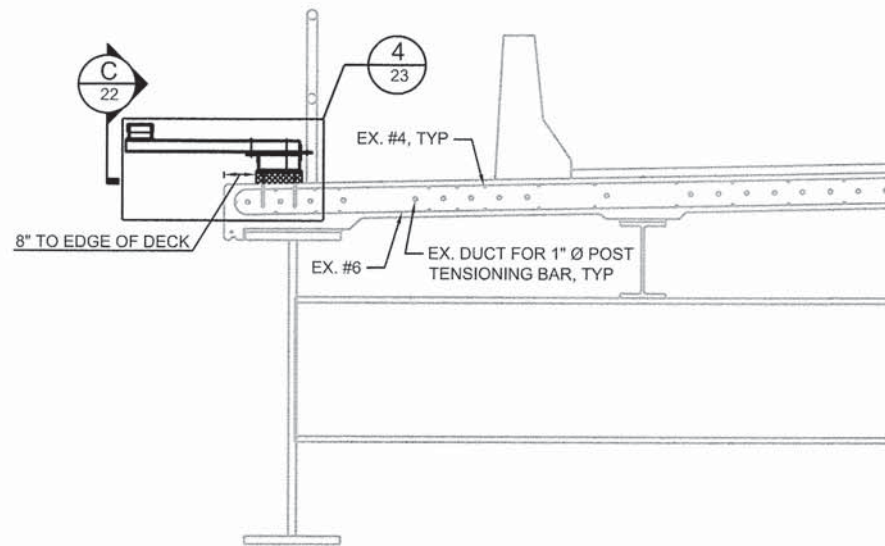
USER NAME = seb	DESIGNED -	REVISED -
PLOT SCALE = 0.1667' / 1"	DRAWN - AMS	REVISED -
PLOT DATE = 10/11/2013	CHECKED - ADL	REVISED -
	DATE -	REVISED -

CITY OF QUINCY, ILLINOIS
BAYVIEW BRIDGE LIGHTING

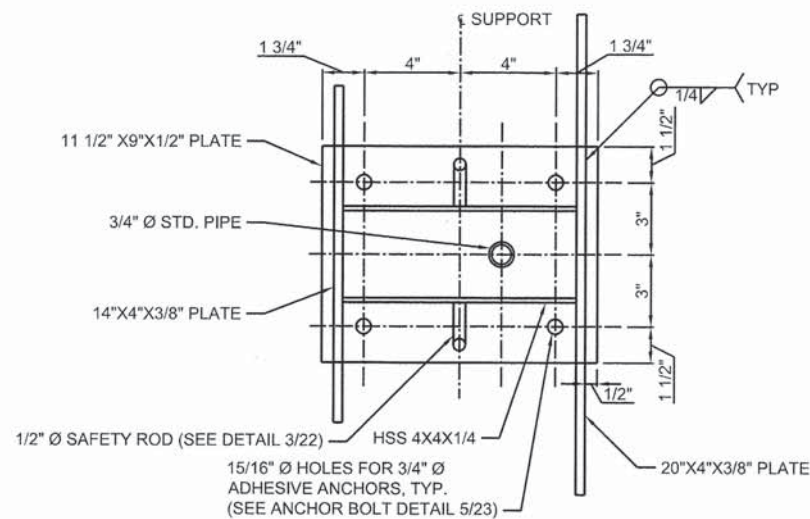
LIGHTING UNIT
MOUNTING DETAILS

SCALE: NONE SHEET 1 OF 4 SHEETS STA. TO STA.

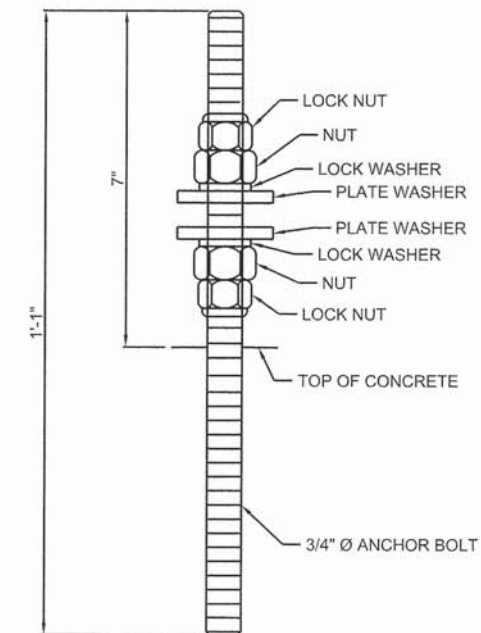
F.A.P. RTE. 63	SECTION 05-00297-00-LT	COUNTY ADAMS	TOTAL SHEETS 31	SHEET NO. 22
CONTRACT NO. 93608				
ILLINOIS FED. AID PROJECT				



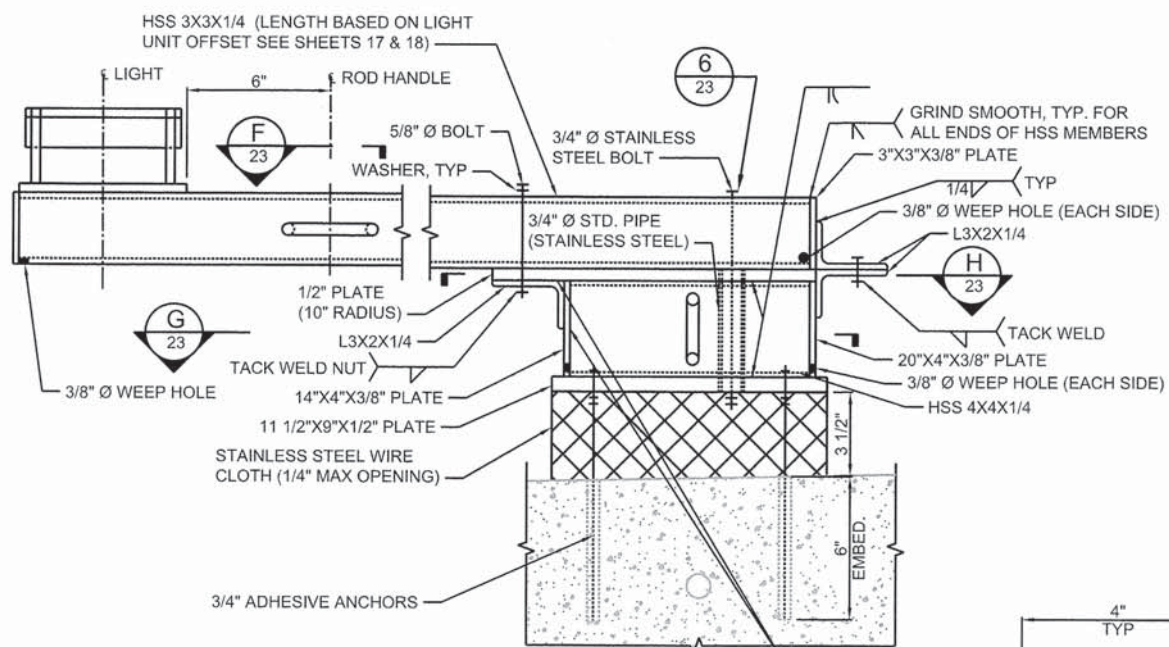
SECTION - TYPE 3 MOUNTING
SCALE: 1/2" = 1'-0"



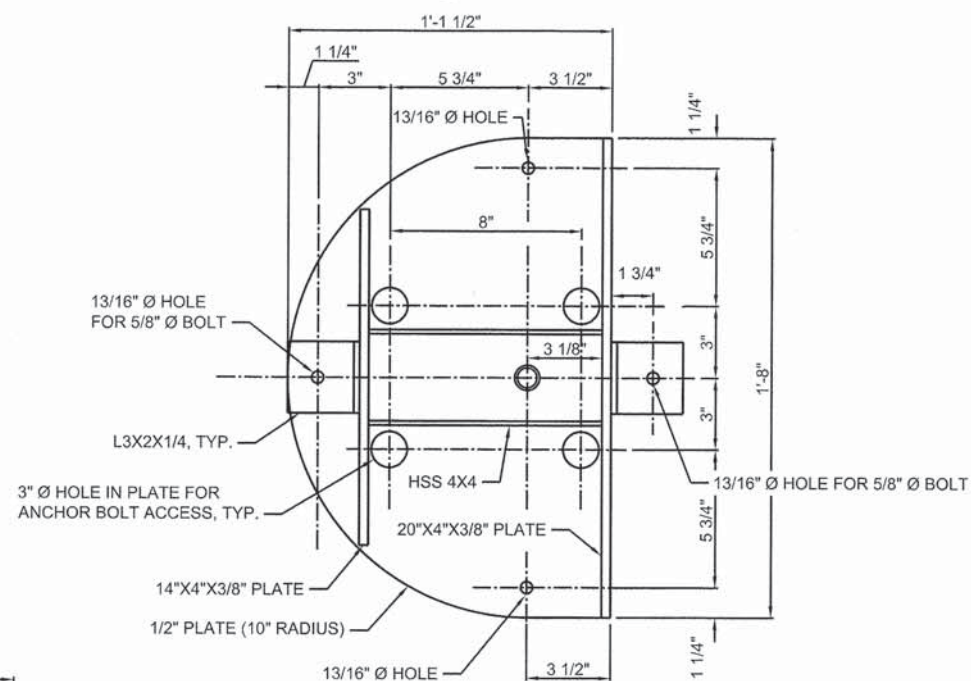
SECTION G
SCALE: 3" = 1'-0"



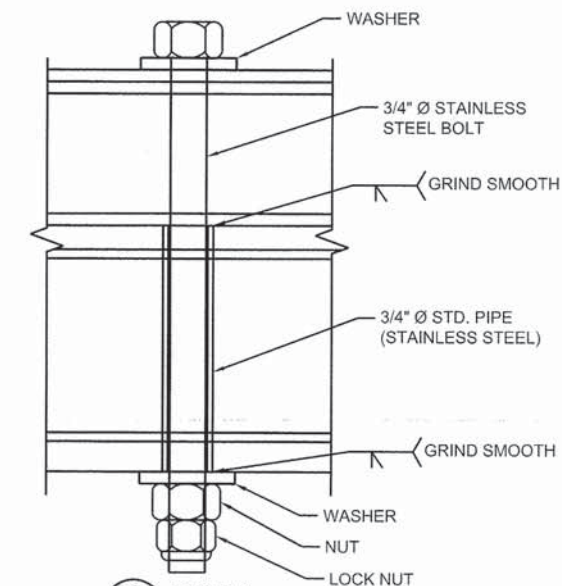
5 ANCHOR BOLT
SCALE: 6" = 1'-0"



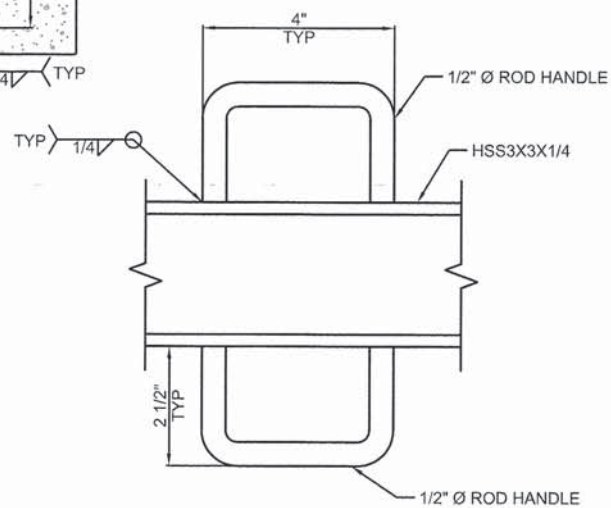
4 DETAIL
SCALE: 3" = 1'-0"



SECTION H
SCALE: 3" = 1'-0"



6 DETAIL
SCALE: 6" = 1'-0"



SECTION F
SCALE: 6" = 1'-0"

TYPE 3 MOUNTING DETAILS

FILE NAME = 0:\0771\05\070371\04 Plans\Plans\07-08371 mounting detail.dgn

KLINGNER & ASSOCIATES, P.C.
Engineers • Architects • Surveyors

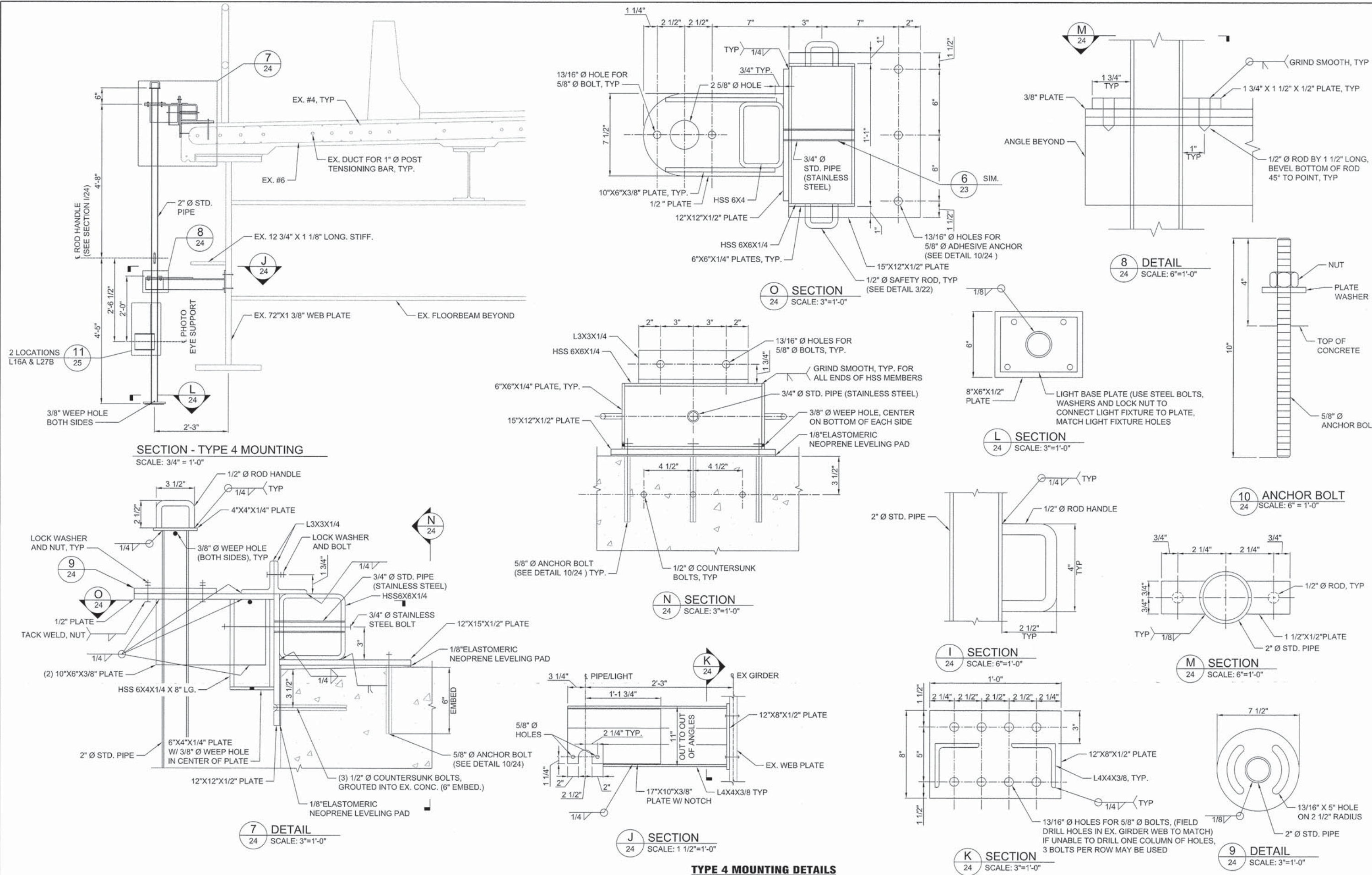
USER NAME = seb	DESIGNED -	REVISED -
PLOT SCALE = 0.1667' / in.	DRAWN - AMS	REVISED -
PLOT DATE = 10/11/2013	CHECKED - ADL	REVISED -
	DATE -	REVISED -

CITY OF QUINCY, ILLINOIS
BAYVIEW BRIDGE LIGHTING

LIGHTING UNIT
MOUNTING DETAILS

SCALE: NONE SHEET 2 OF 4 SHEETS STA. TO STA.

F.A.P. RTE. 63	SECTION 05-00297-00-LT	COUNTY ADAMS	TOTAL SHEETS 31	SHEET NO. 23
CONTRACT NO. 93608				
ILLINOIS FED. AID PROJECT				



TYPE 4 MOUNTING DETAILS

KLINGNER & ASSOCIATES, P.C.
 Engineers • Architects • Surveyors

USER NAME = seb	DESIGNED - AMS	REVISED -
PLOT SCALE = 0.1667' / in.	DRAWN - AMS	REVISED -
PLOT DATE = 10/11/2013	CHECKED - ADL	REVISED -
	DATE -	REVISED -

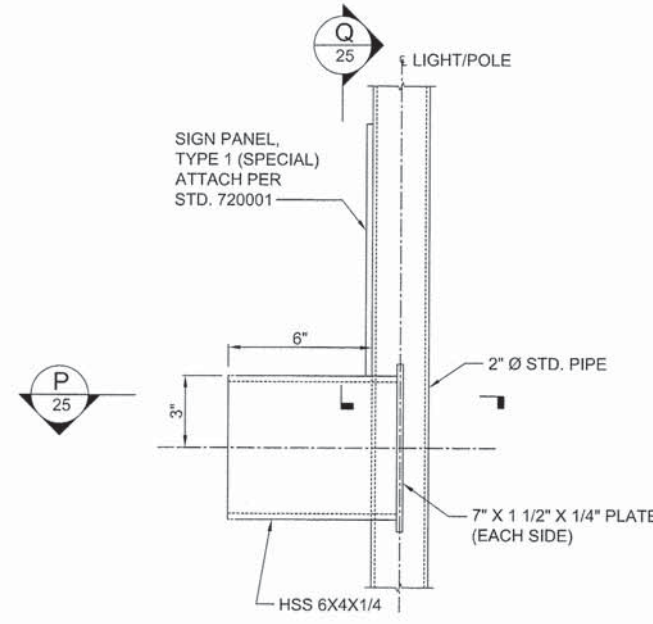
**CITY OF QUINCY, ILLINOIS
 BAYVIEW BRIDGE LIGHTING**

**LIGHTING UNIT
 MOUNTING DETAILS**

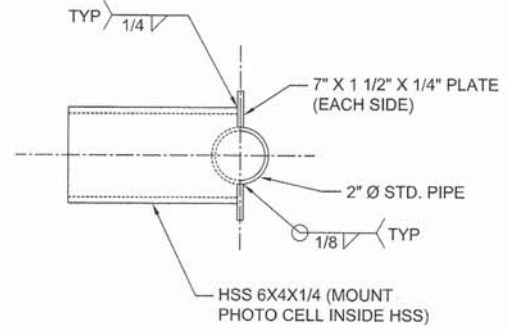
SCALE: NONE SHEET 3 OF 4 SHEETS STA. TO STA.

F.A.P. RTE.	SECTION	COUNTY	TOTAL SHEETS	SHEET NO.
63	05-00297-00-LT	ADAMS	31	24
CONTRACT NO. 93608				
ILLINOIS FED. AID PROJECT				

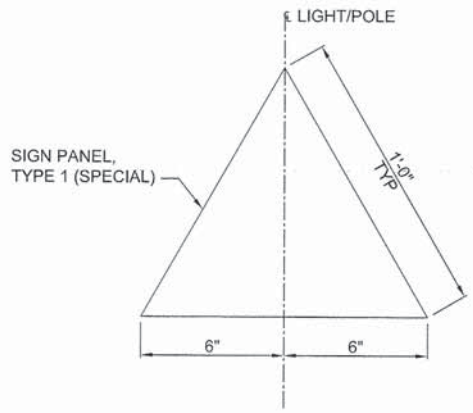
FILE NAME = Q:\07\Files\070371\04_Plan\VP\Plans\shs_07-00371_mntgng_details.dwg



11 DETAIL
25 SCALE: 3"=1'-0"

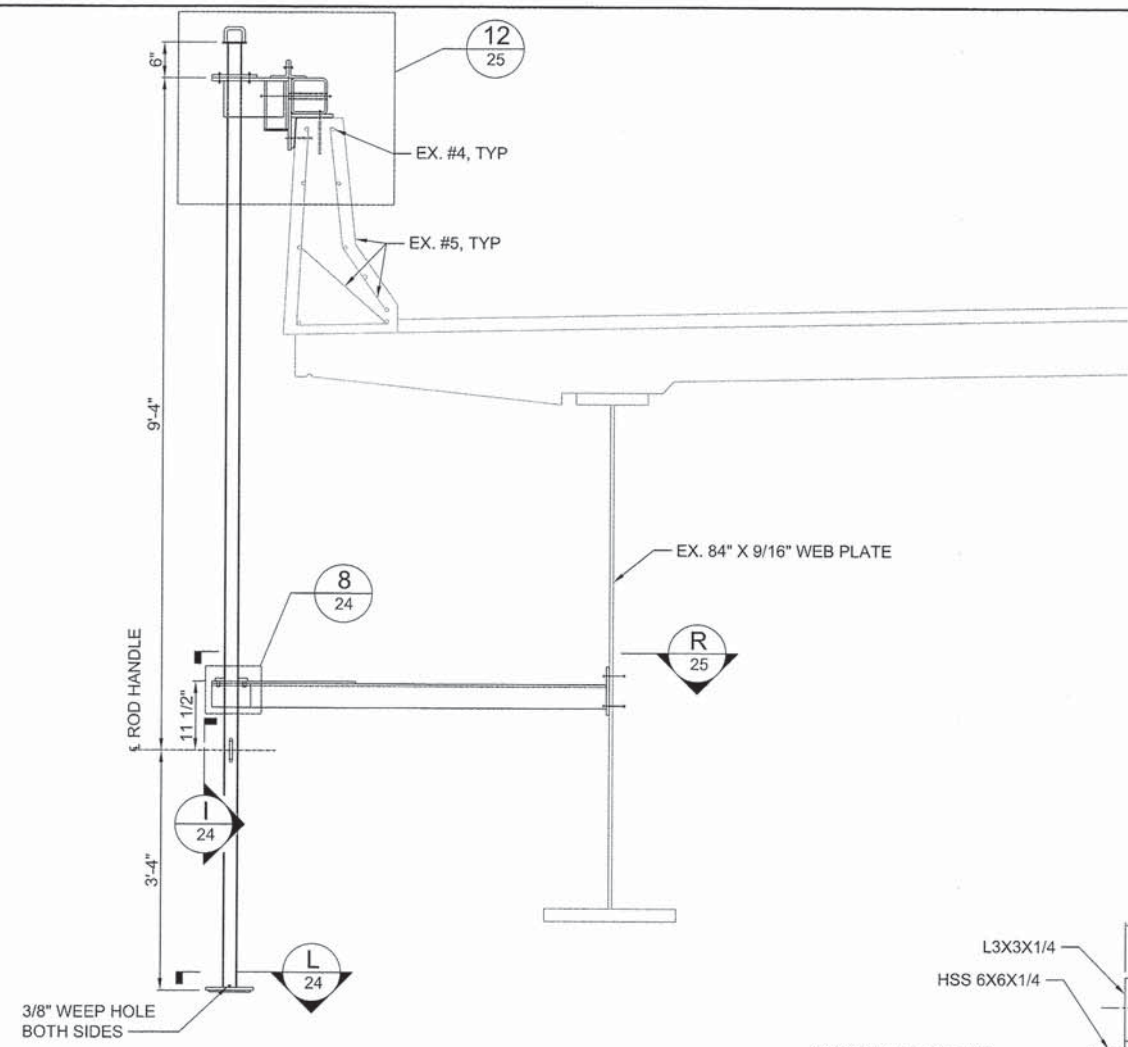


P SECTION
25 SCALE: 3"=1'-0"

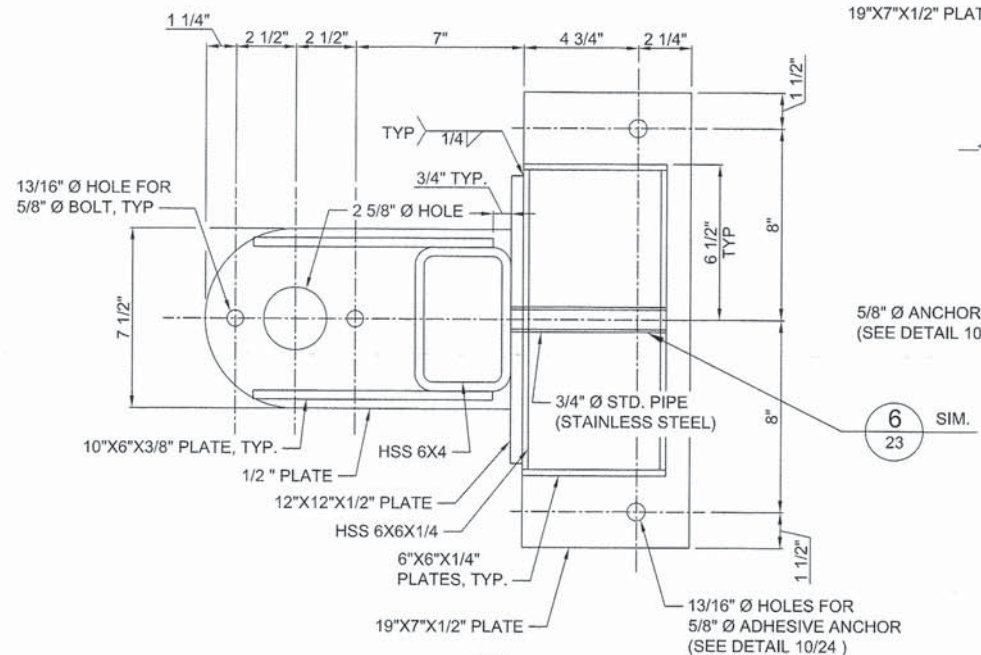


Q SECTION
25 SCALE: 3"=1'-0"

TYPE 4 MOUNTING DETAILS

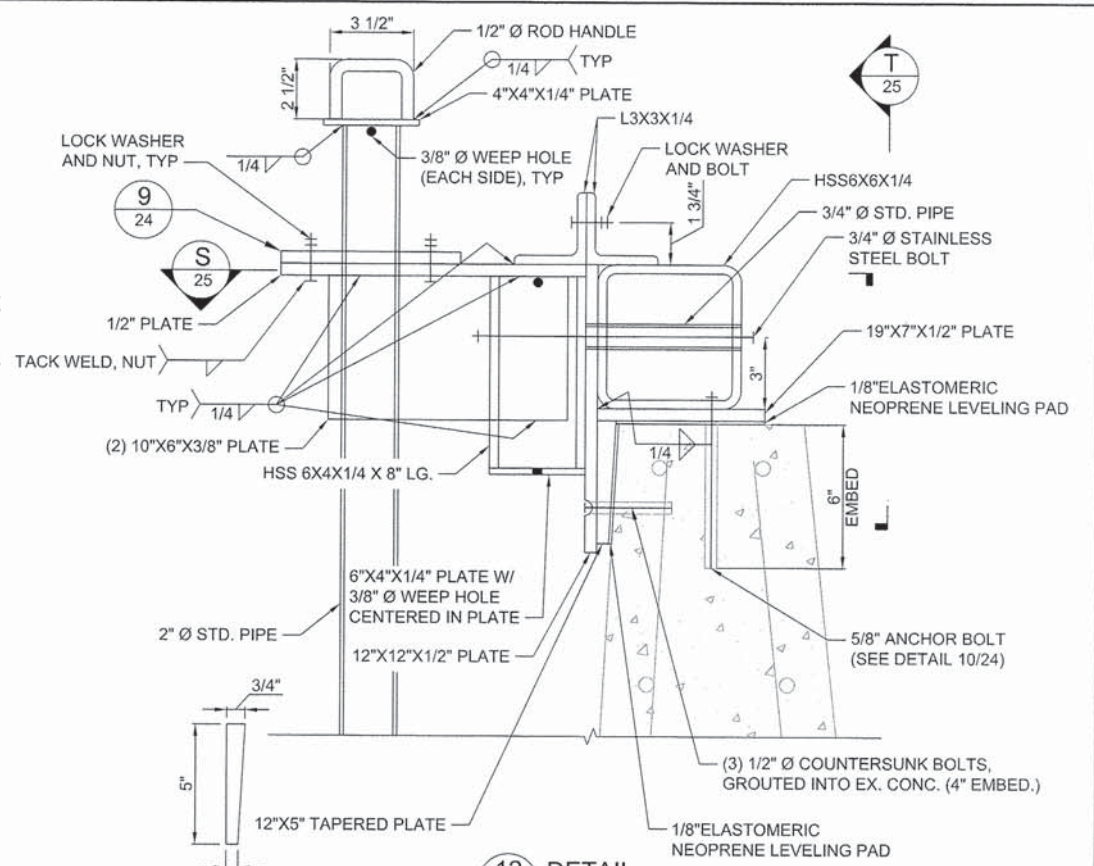


SECTION - TYPE 5 MOUNTING
SCALE: 3/4" = 1'-0"

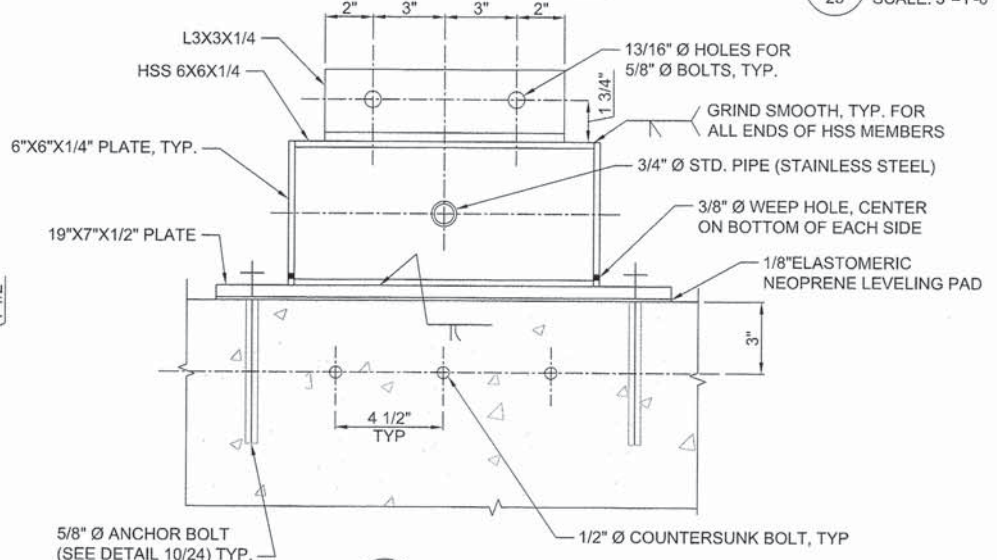


S SECTION
25 SCALE: 3"=1'-0"

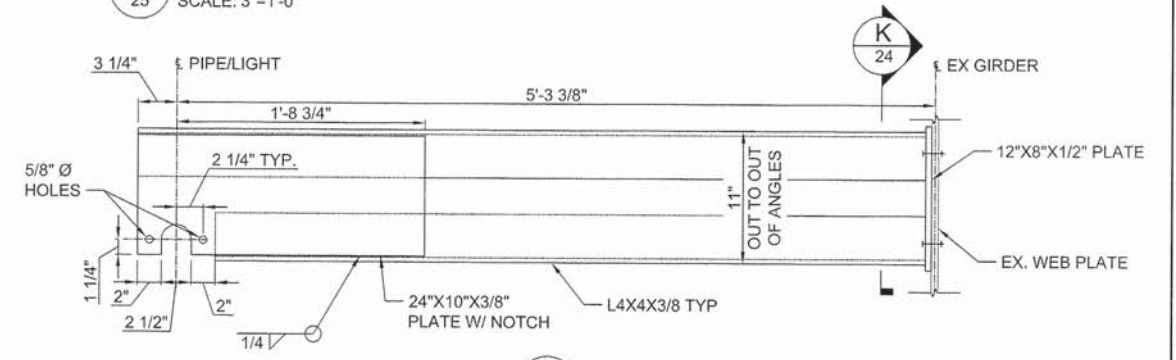
TYPE 5 MOUNTING DETAILS



12 DETAIL
25 SCALE: 3"=1'-0"



T SECTION
25 SCALE: 3"=1'-0"



R SECTION
25 SCALE: 1 1/2"=1'-0"

LIGHTING UNIT MOUNTING DETAILS

FILE NAME = D:\B7\1es\070371\04 Plans\Plans\shk 07-08071 mounting detail.dgn

KLINGNER & ASSOCIATES, P.C.
Engineers • Architects • Surveyors

USER NAME = seb	DESIGNED - AMS	REVISED -
PLOT SCALE = 0.1667' / 1"	DRAWN - AMS	REVISED -
PLOT DATE = 10/11/2013	CHECKED - ADL	REVISED -
	DATE -	REVISED -

**CITY OF QUINCY, ILLINOIS
BAYVIEW BRIDGE LIGHTING**

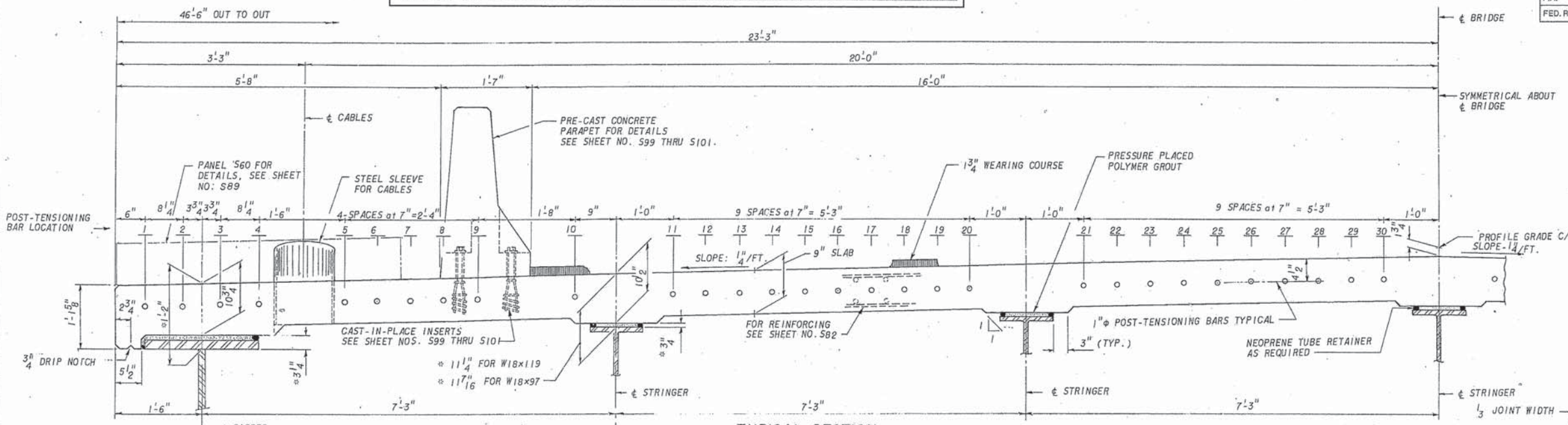
SCALE: NONE	SHEET 4 OF 4 SHEETS	STA. TO STA.
-------------	---------------------	--------------

F.A.P. RTE. 63	SECTION 05-00297-00-LT	COUNTY ADAMS	TOTAL SHEETS 31	SHEET NO. 25
CONTRACT NO. 93608				
ILLINOIS FED. AID PROJECT				

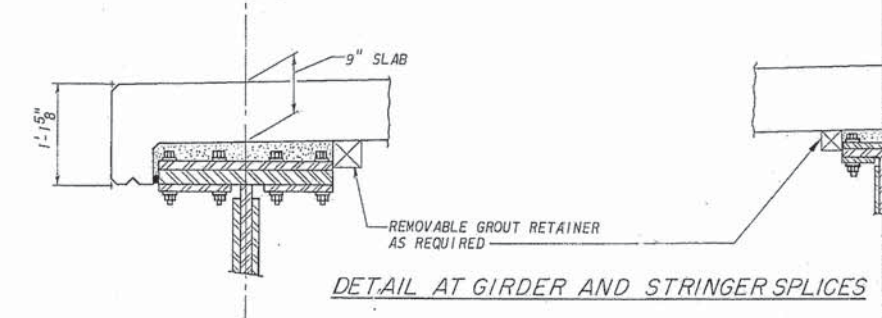
NOTE: POST TENSION DUCTS TO BE AVOIDED WHEN DRILLING INTO DECK

ROUTE NO.	SECTION	COUNTY	TOTAL SHEETS	SHEET NO.	SHEET NO. 581 SHEETS 125
S.B.I. 63	1-ZB-1-2(2)	ADAMS	339	215A	
F.A. FED. ROAD DIST. NO. 7	ILLINOIS	FED. AID PROJECT	BR-F-63(*)		

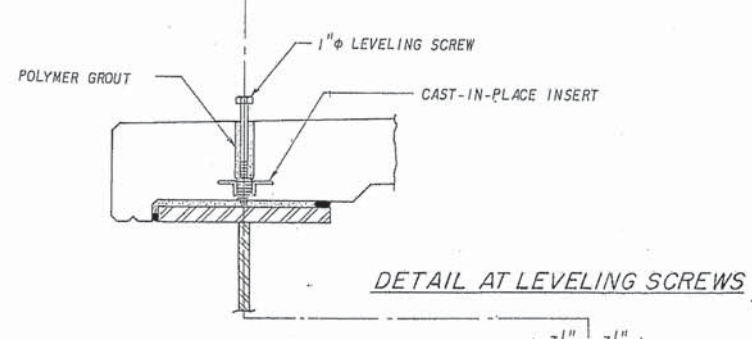
POST-TENSIONING NOTES:
 POST-TENSIONING BARS SHALL HAVE AN INITIAL TENSIONING STRESS OF 105 KSI AT A MINIMUM CONCRETE STRENGTH OF 3,500 PSI.
 POST-TENSIONING BARS SHALL HAVE ULTIMATE TENSILE STRENGTH OF 150 KSI AND SHALL CONFORM TO ASTM A722-75 TYPE II.
 CEMENT GROUT SHALL HAVE F'c = 6 KSI AT 28 DAYS. FOR DESIGN THE WOBBLE COEFFICIENT K IS ASSUMED TO BE 0.0003/FT. AND THE CURVATURE COEFFICIENT μ IS ASSUMED TO BE 0.20.
 ALL DUCTS SHALL BE EPOXY COATED AS REQUIRED BY THE SPECIFICATIONS.



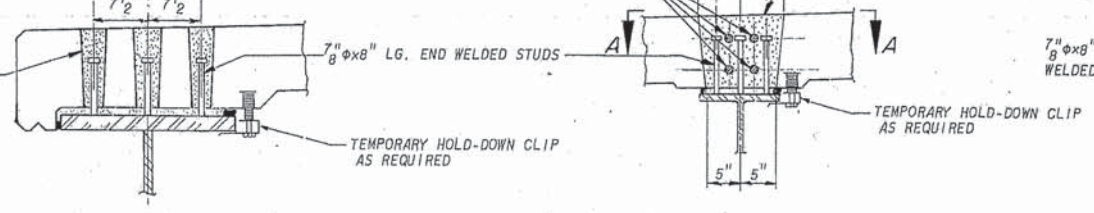
TYPICAL SECTION



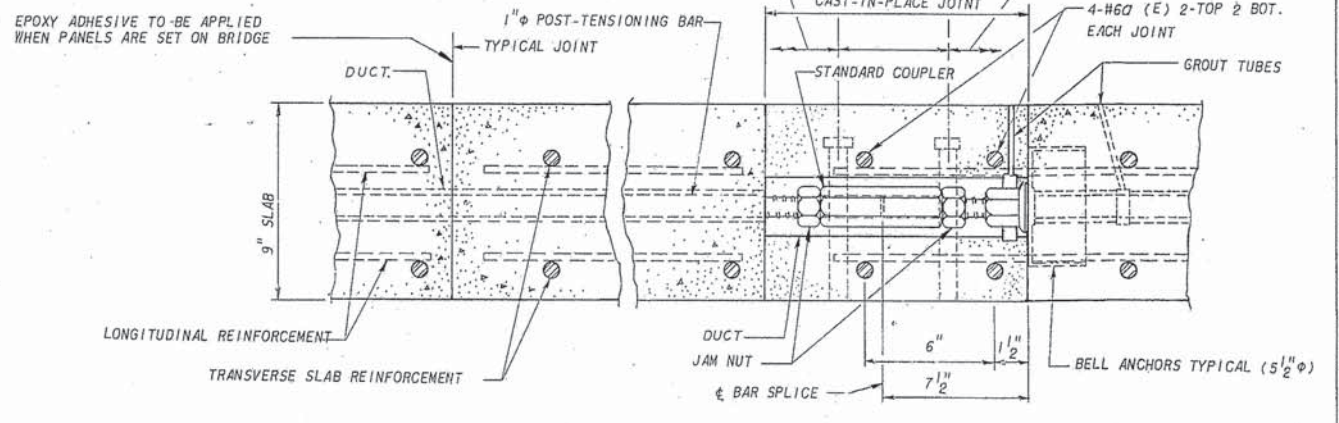
DETAIL AT GIRDER AND STRINGER SPLICES



DETAIL AT LEVELING SCREWS



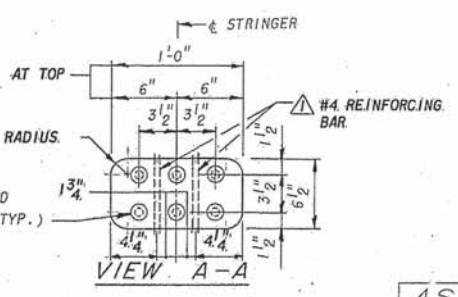
DETAIL AT SHEAR STUDS



TYPICAL SLAB JOINT

CAST-IN-PLACE SLAB JOINT

NOTES:
 * DENOTES PLAN DIMENSIONS ACTUAL DIMENSIONS MAY VARY WITH STEEL FABRICATION AND ERECTION TOLERANCES.
 PRECAST CONCRETE UNITS & CAST-IN-PLACE JOINTS SHALL BE CLASS 6000 CONCRETE
 CAST-IN-PLACE CONCRETE AT TOWER & CLOSURE POUR (AT & SPAN C) SHALL BE CLASS 5000 CONCRETE.



AS REVISED

PREPARED BY
MODJESKI AND MASTERS
 CONSULTING ENGINEERS
 FOR
Booker
 Engineers Architects/Planners
 1139 Olive Street, St. Louis, Missouri 63101

DATE: MAY 1983

TYPICAL
 STA 61+65.0 to STA 65+80.5
 STA 66+29.0 to STA 74+81.0
 STA 75+29.5 to STA 79+45.0

STEEL ALTERNATIVE

REV. NO.	DRAWN	CHKD.	APPD.	DESCRIPTION	DATE
1	JTM	SWH		ADDED BARS IN SLAB	6-15-84

**F A ROUTE 63 (U.S. ROUTE 24)
 OVER MISSISSIPPI RIVER
 QUINCY, ILLINOIS**

PRE-CAST SLAB DETAILS - 2

A COMPLETE SET OF CONSTRUCTION PLANS IS AVAILABLE ELECTRONICALLY. CONTACT KLINGNER & ASSOCIATES.

KLINGNER & ASSOCIATES, P.C.
 Engineers - Architects - Surveyors

USER NAME = seb	DESIGNED -	REVISED -
PLOT SCALE = 0.1667" = 1'-0"	DRAWN - SEB	REVISED -
PLOT DATE = 10/9/2013	CHECKED -	REVISED -
	DATE -	REVISED -

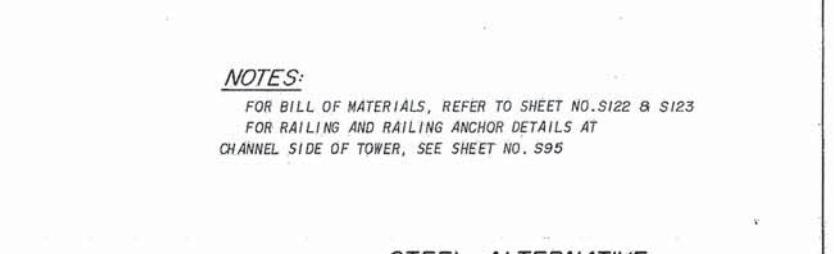
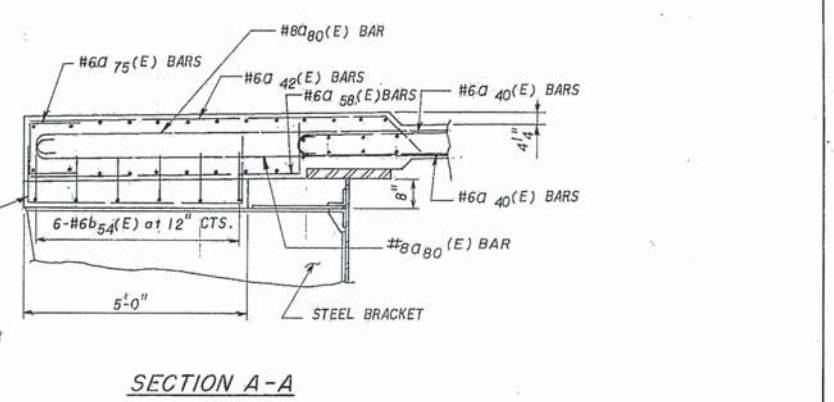
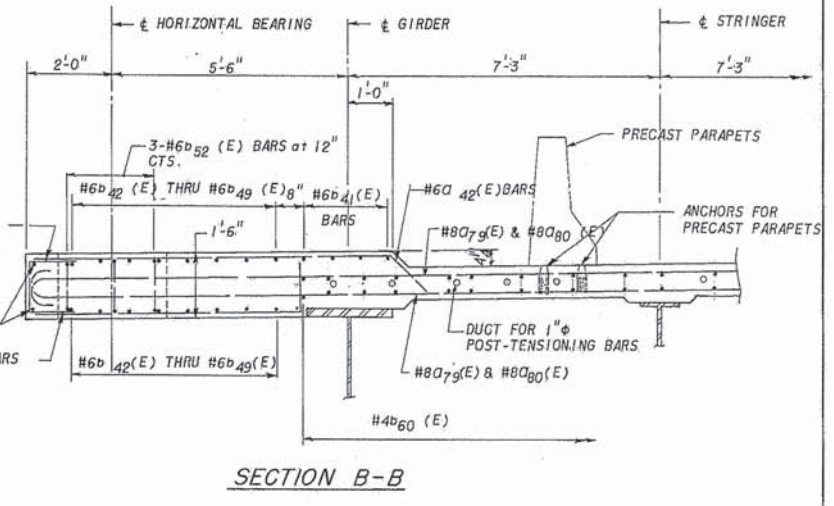
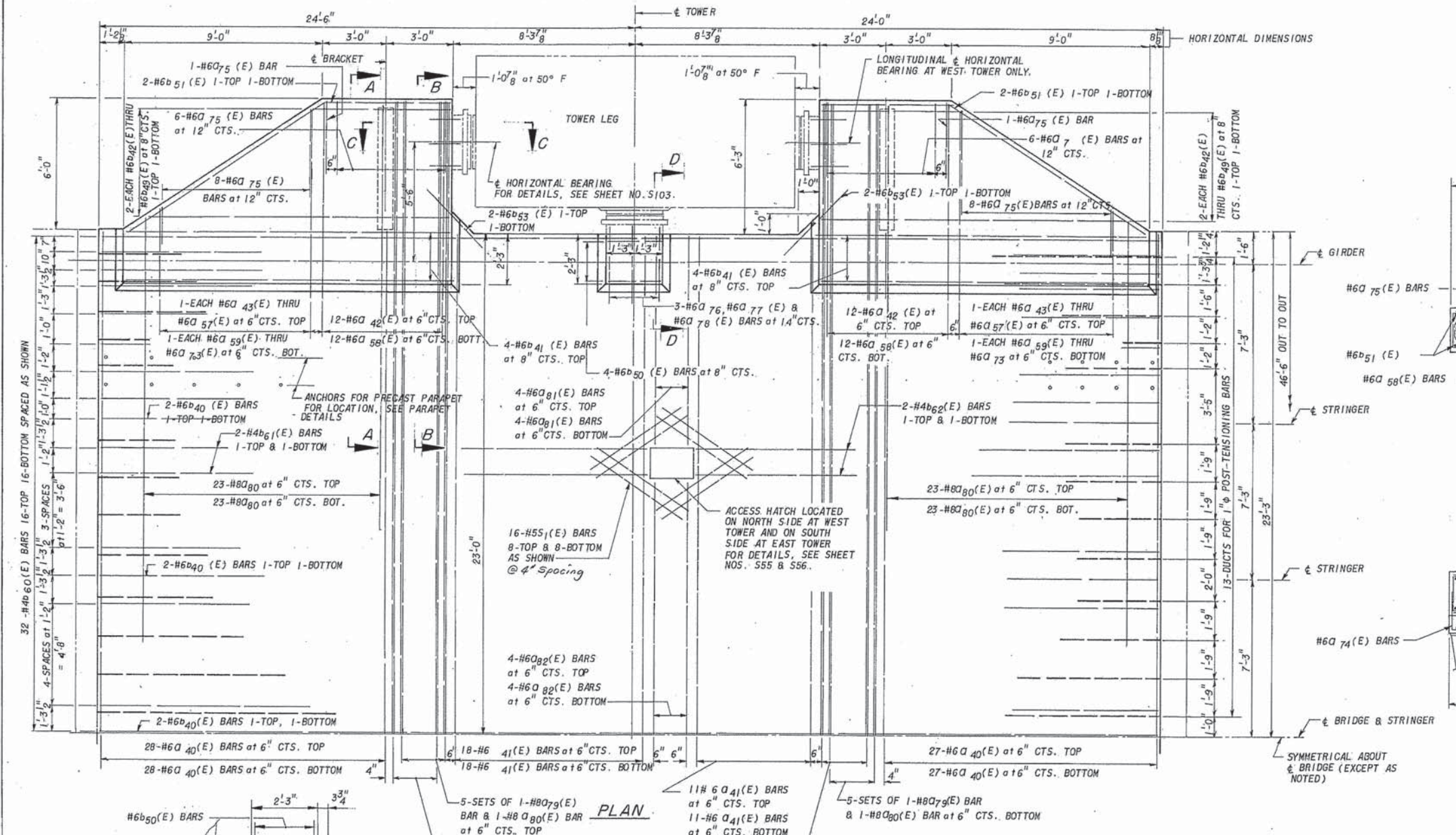
**CITY OF QUINCY, ILLINOIS
 BAYVIEW BRIDGE LIGHTING**

EXISTING STRUCTURE PLANS

SCALE: NONE SHEET 1 OF 3 SHEETS STA. TO STA.

F.A.P. RTE.	SECTION	COUNTY	TOTAL SHEETS	SHEET NO.
63	05-00297-00-LT	ADAMS	31	26
CONTRACT NO. 93608				
ILLINOIS FED. AID PROJECT				

ROUTE NO.	SECTION	COUNTY	TOTAL SHEETS	SHEET NO.	SHEET NO. 592 SHEETS 125
S.B.I. F.A. 63	1-2B-1-2(2)	ADAMS	339	286	
FED. ROAD DIST. NO. 7		ILLINOIS		FED. AID PROJECT BR-F-63()	



NOTES:
 FOR BILL OF MATERIALS, REFER TO SHEET NO. S122 & S123
 FOR RAILING AND RAILING ANCHOR DETAILS AT CHANNEL SIDE OF TOWER, SEE SHEET NO. S95

STEEL ALTERNATIVE

REV. NO.	DRAWN	CHKD.	APPD.	DESCRIPTION	DATE
F A ROUTE 63 (U.S. ROUTE 24) OVER MISSISSIPPI RIVER QUINCY, ILLINOIS					
CAST-IN-PLACE SLAB AT TOWERS					

PREPARED BY
MODJESKI AND MASTERS
 CONSULTING ENGINEERS

FOR
Booker
 Engineers Architects Planners

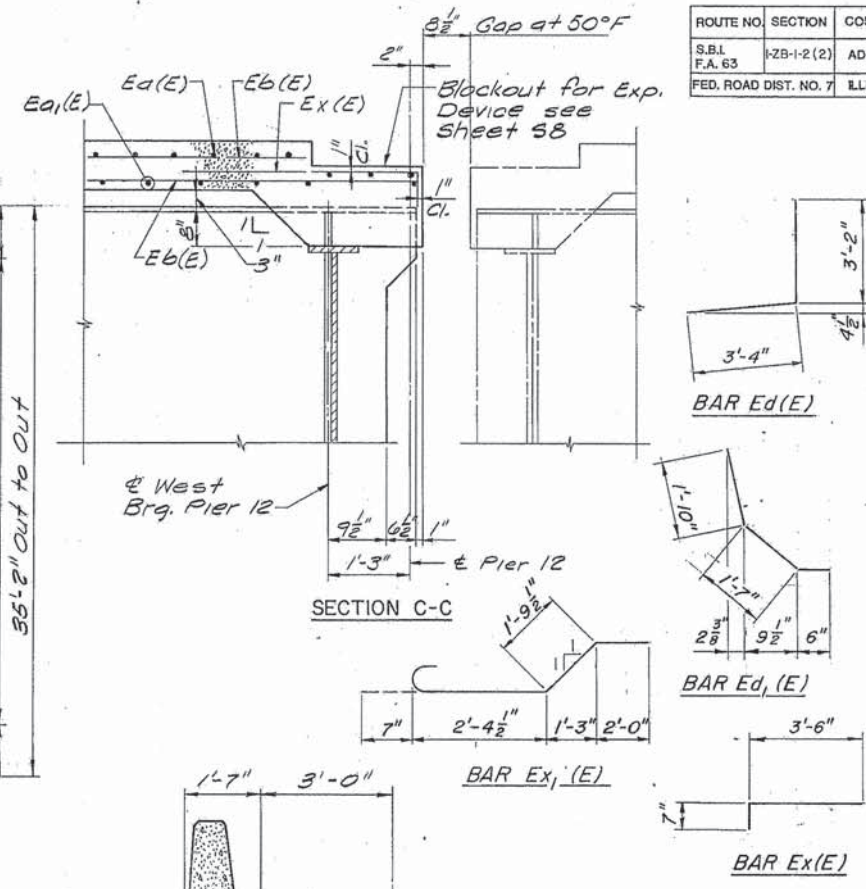
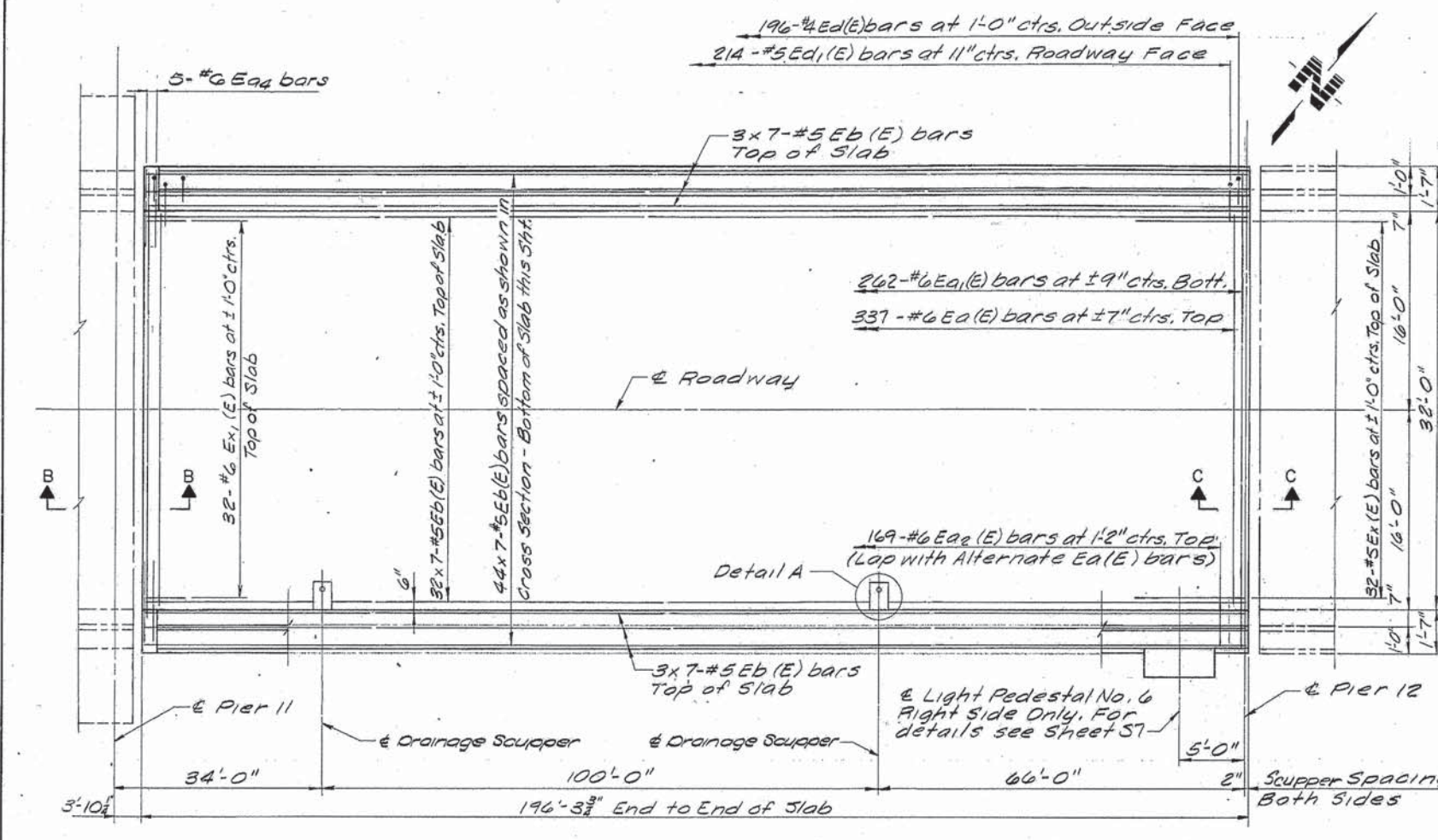
1130 Olive Street, St. Louis, Missouri 63101

DRAWN: CWH
 CHKD.: RSC
 APPD.: HEW
 DATE: MAY 1983

**TYPICAL
 STA 65+80.5 to STA 66+29.0
 STA 74+81.0 to STA 75+29.5**

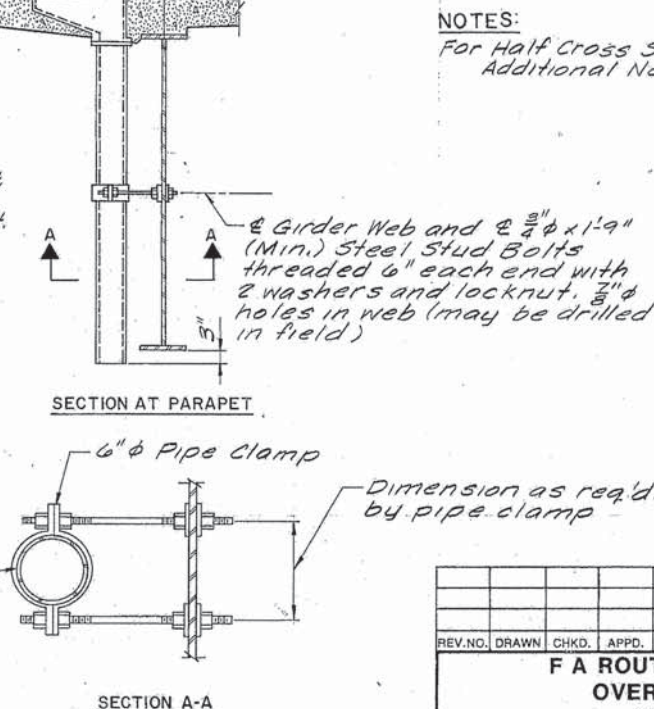
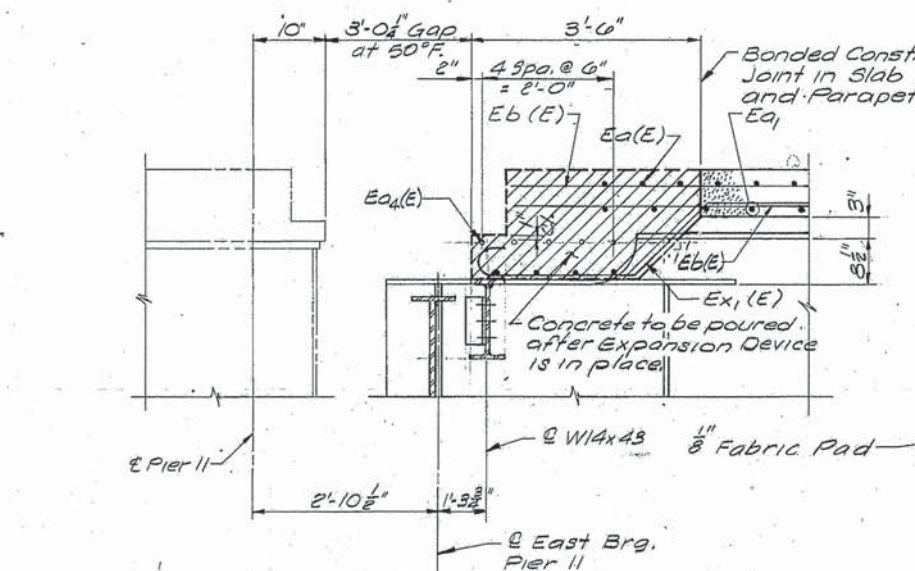
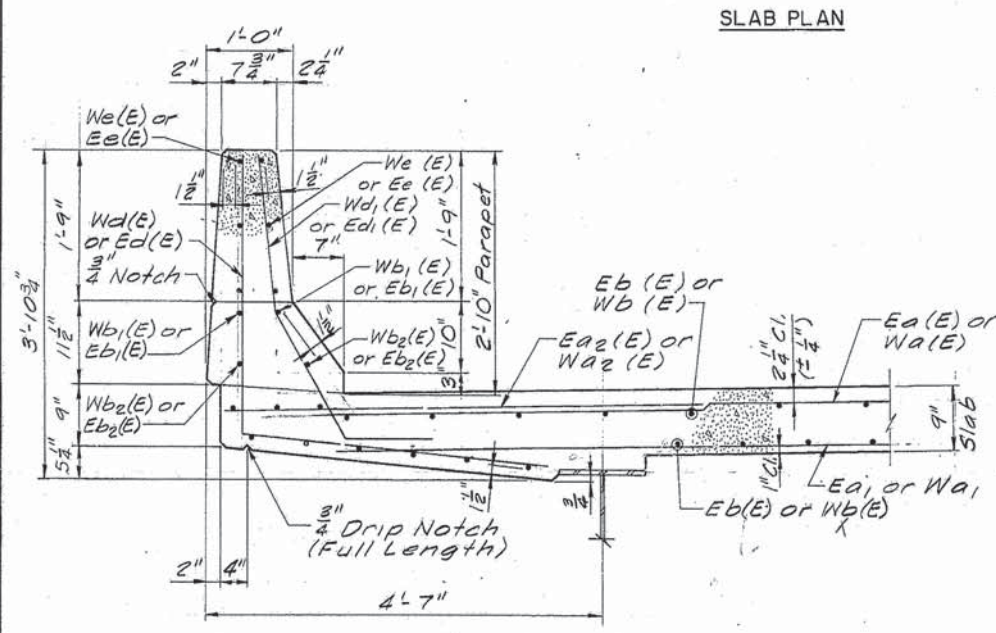
FILE NAME = Q:\0717\1es-0700371\04-Plans\Plans.dwg

KLINGNER & ASSOCIATES, P.C. Engineers • Architects • Surveyors	USER NAME = seb	DESIGNED -	REVISED -	CITY OF QUINCY, ILLINOIS BAYVIEW BRIDGE LIGHTING	EXISTING STRUCTURE PLANS			F.A.P. RTE. 63	SECTION 05-00297-00-LT	COUNTY ADAMS	TOTAL SHEETS 31	SHEET NO. 27	
	PLOT SCALE = 0.1657' / 1"	DRAWN - SEB	REVISED -		SCALE: NONE	SHEET 2 OF 3 SHEETS	STA. _____ TO STA. _____	CONTRACT NO. 93608					
	PLOT DATE = 10/1/2013	CHECKED - ADL	REVISED -		ILLINOIS FED. AID PROJECT								
		DATE -	REVISED -										



SUPERSTRUCTURE BILL OF MATERIAL

Bar No.	Size	Length	Shape
Ea ₁ (E) 262	#6	38'-0"	
Ea(E) 337	#6	34'-7"	
Ea ₂ (E) 338	#6	5'-7"	
Ea ₃ (E) 32	#5	2'-0"	
Ea ₄ (E) 10	#6	5'-1"	
Eb(E) 574	#5	29'-7"	
Ed(E) 392	#4	6'-6"	
Ed ₁ (E) 428	#5	3'-11"	
Ex(E) 32	#5	4'-7"	
Ex ₁ (E) 32	#5	6'-2"	
Reinforcement Bars (Epoxy Coated)	Lbs.	54580	
Class X Concrete	Cu. Yds.	205.6	



NOTES:
For Half Cross Section, Detail A and Additional Notes see Sheet 55.

DRAWN: S.D.A.
CHKD.: S.R.F.
APPD.: R.A.B.
DATE: MAY 1983

1139 Olive Street, St. Louis, Missouri 63101

**TYPICAL
STA 79+45.0 to STA 91+20.0**

KLINGNER & ASSOCIATES, P.C.
Engineers • Architects • Surveyors

USER NAME = seb	DESIGNED -	REVISED -
PLLOT SCALE = 3/16" = 1' = 0"	DRAWN - SEB	REVISED -
PLLOT DATE = 10/1/2013	CHECKED - ADL	REVISED -
	DATE -	REVISED -

**CITY OF QUINCY, ILLINOIS
BAYVIEW BRIDGE LIGHTING**

EXISTING STRUCTURE PLANS

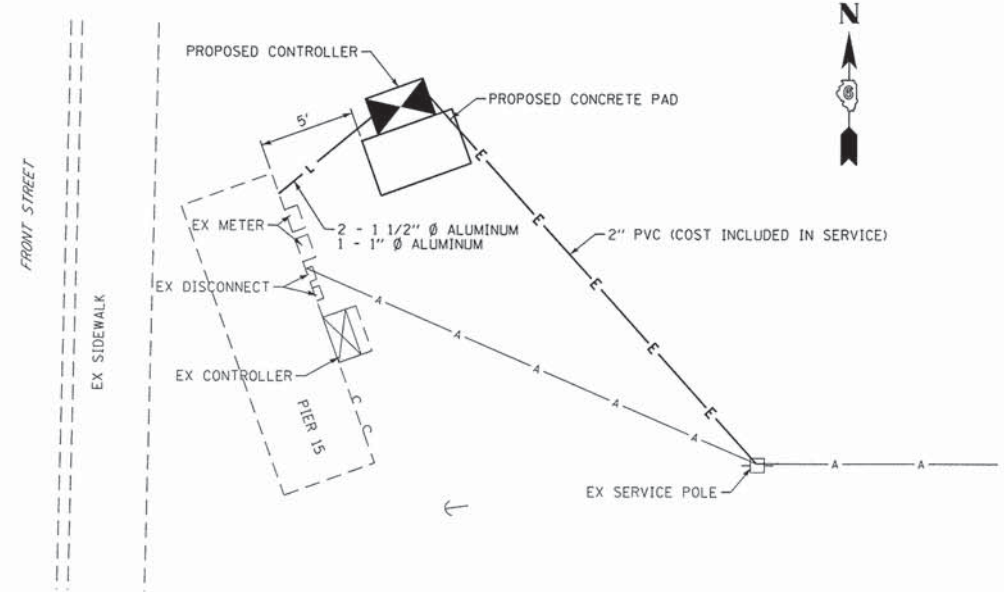
SCALE: NONE	SHEET 3 OF 3 SHEETS	STA. _____ TO STA. _____
-------------	---------------------	--------------------------

F.A.P. RTE.	SECTION	COUNTY	TOTAL SHEETS	SHEET NO.
63	05-00297-00-LT	ADAMS	31	28

CONTRACT NO. 93 608 ILLINOIS FED. AID PROJECT

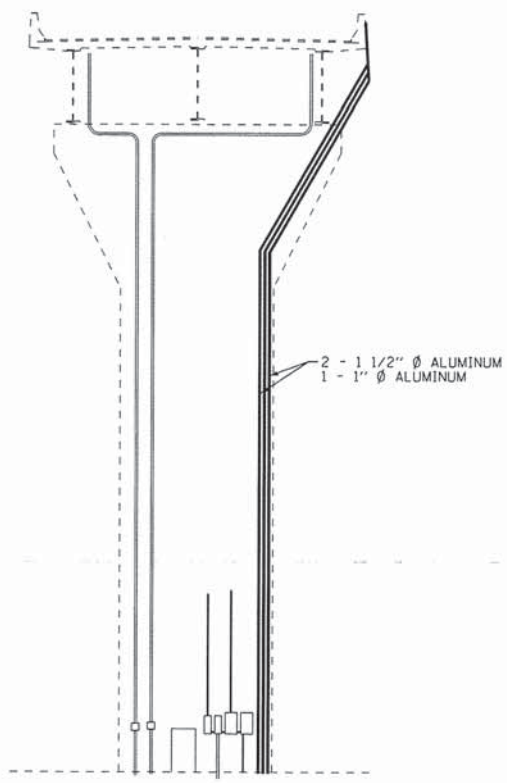
NOTES:

1. ALL DIMENSIONS ARE IN INCHES UNLESS OTHERWISE SHOWN.
2. FOUNDATION SIZE SHALL BE COORDINATED WITH CABINET SIZE AND MANUFACTURER. THE COST OF LABOR AND MATERIALS OF THE CONCRETE FOUNDATION SHALL BE ACCORDING TO SEC. 878 AND PAID FOR AS CONCRETE FOUNDATION, TYPE D.
3. IN FRONT OF CONTROL CABINET DOOR, PLACE LENGTH WISE PARALLEL TO CONTROL CABINET, A CONCRETE PAD 36"x60"x4" MIN. SIZE. THE COST OF LABOR AND MATERIALS ARE INCLUDED IN THE COST OF THE CONCRETE FOUNDATION.
4. DOOR SHALL BE CONSTRUCTED FROM THE SAME TYPE OF MATERIAL AND THICKNESS AS THE CABINET.
5. DOOR SHALL BE EQUIPPED WITH THREE POINT LATCHING MECHANISM WITH NYLON ROLLERS AT TOP AND BOTTOM.
6. DOOR HINGE SHALL BE A HEAVY GAUGE CONTINUOUS HINGE WITH A 1/4" DIAMETER STAINLESS STEEL HINGE PIN.
7. ALL EXTERNAL HARDWARE SHALL BE STAINLESS STEEL.
8. CONTROL WIRING TO BE #12 AWG, 600V, TYPE "SIS" GREY SWITCH BOARD WIRE, STRANDED COPPER.
9. METER BOX SHALL BE MOUNTED ON THE SIDE OF CONTROL CABINET, NEAR TO THE SERVICE POLE.
10. THE HEADS OF CONNECTOR SCREWS SHALL BE PAINTED WHITE FOR NEUTRAL BAR CONNECTION AND GREEN FOR GROUND BAR CONNECTION.
11. PROVIDE SEALING GROMMETS FOR ALL OPEN WIRING EXTENDED FROM DEVICES IN BOXES OR CABINETS WITHIN THE CONTROL CABINET.
12. ALL WIRING SHALL BE NEATLY DRESSED AND SUPPORTED.
13. 12"x16" STAINLESS STEEL EXTERIOR NAMEPLATE SHALL BE ENGRAVED TO "CITY OF QUINCY LIGHTING CONTROLS" UNLESS OTHERWISE SPECIFIED.

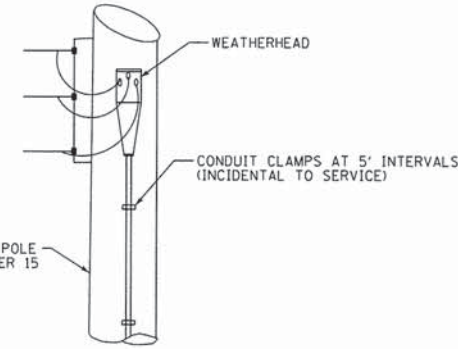


PLAN VIEW AT PIER 15
SCALE: 1"=50'

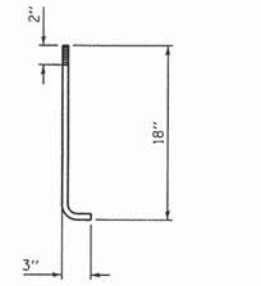
EXISTING LIGHTS AND SERVICE SHALL REMAIN IN PLACE.
ALL EXISTING LIGHTING (ROADWAY, NAVIGATION, AND AVIATION) SHALL REMAIN FULLY OPERATIONAL FROM DUSK TO DAWN.
EXISTING LIGHTING MAY BE DISCONNECTED FOR A MINIMUM OF DAYLIGHT 2 HRS. THE CONTRACTOR SHALL NOTIFY THE CITY OF QUINCY A MINIMUM OF 48 HRS PRIOR TO ANY DISCONNECT.



ELEVATION VIEW AT PIER 15
SCALE: 1"=100'

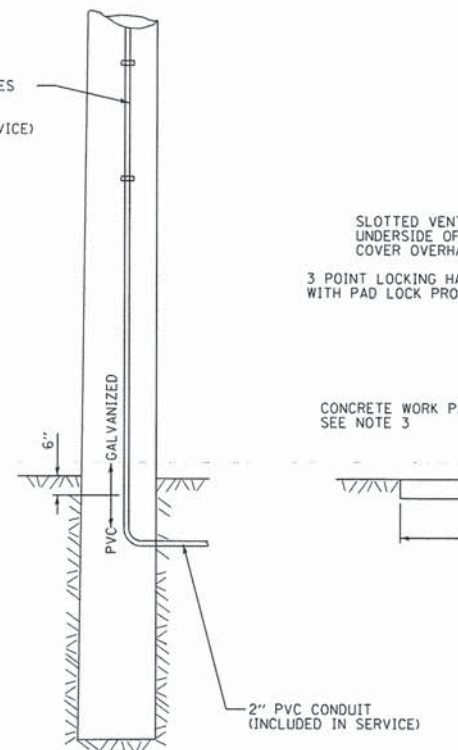


EXISTING SERVICE POLE DETAIL

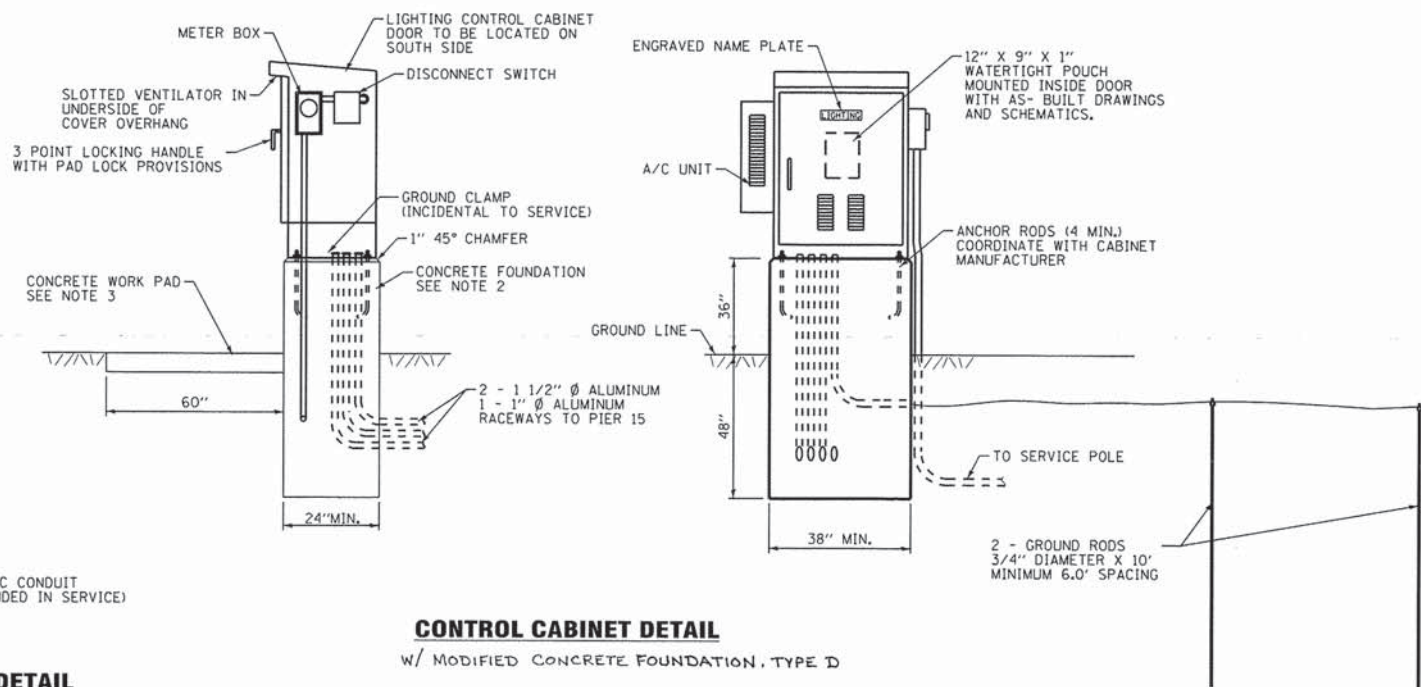


ANCHOR ROD DETAIL

3 - 1/2 NO. 2 CABLES (PAID SEPARATELY) IN 2" CONDUIT (INCIDENTAL TO SERVICE)



CONTROL CABINET DETAIL
W/ MODIFIED CONCRETE FOUNDATION, TYPE D



FILE NAME: 02-0711105-078371-04 - Plans\Plans\shs 07-08371 detail lighting cont.dgn

KLINGNER & ASSOCIATES, P.C.
Engineers • Architects • Surveyors

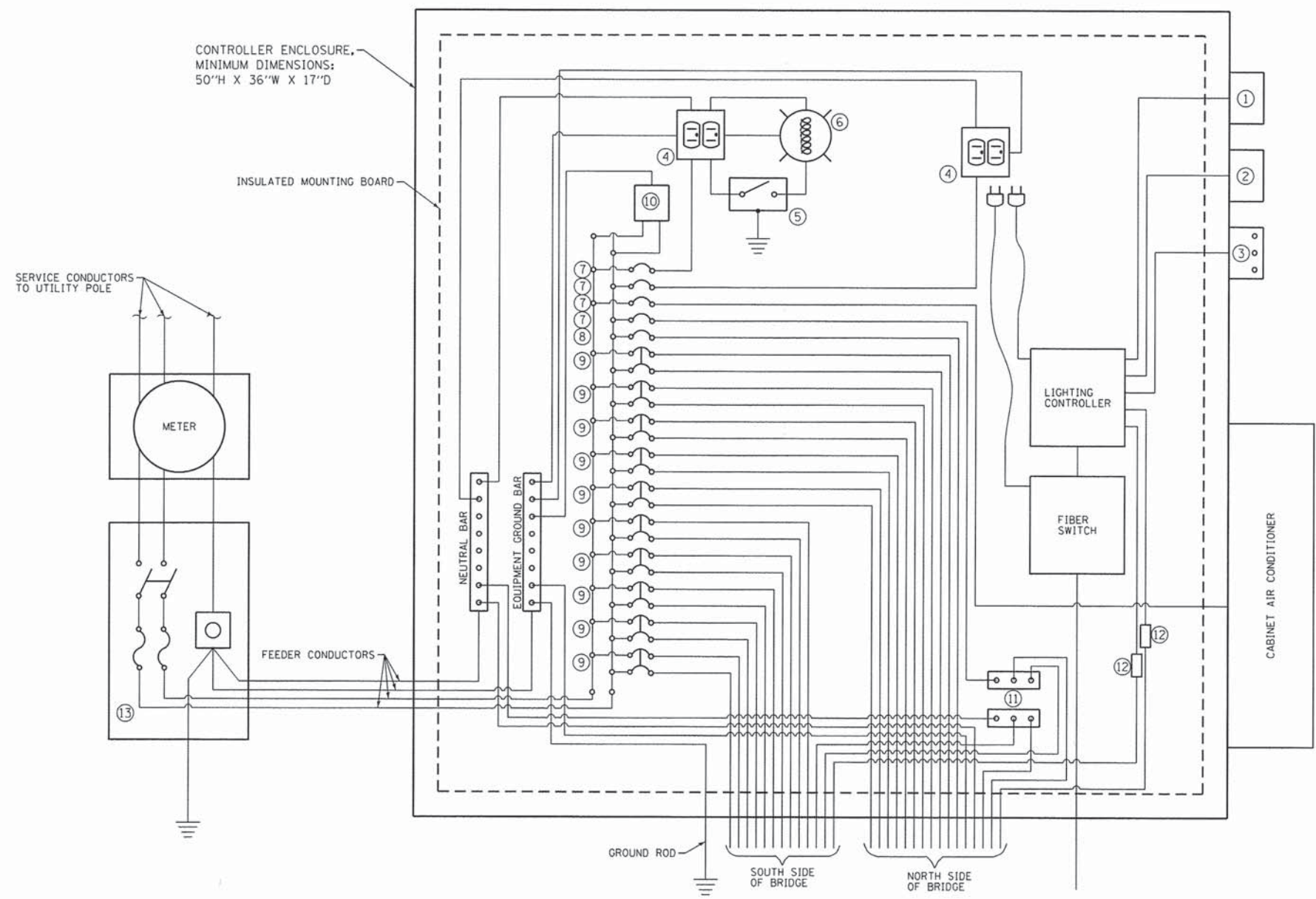
USER NAME = seb	DESIGNED - SEB	REVISED -
PLLOT SCALE = 0.1000 / 1/10	DRAWN - SEB	REVISED -
PLLOT DATE = 10/9/2013	CHECKED -	REVISED -
	DATE -	REVISED -

CITY OF QUINCY, ILLINOIS
BAYVIEW BRIDGE LIGHTING

LIGHTING CONTROLLER DETAILS

SCALE: NONE SHEET 1 OF 3 SHEETS STA. TO STA.

F.A.P. RTE.	SECTION	COUNTY	TOTAL SHEETS	SHEET NO.
63	05-00297-00-LT	ADAMS	31	29
CONTRACT NO. 93608				
ILLINOIS FED. AID PROJECT				



CONTROL CABINET DETAIL

- ① PHOTOCELL WITH INTEGRAL SURGE ARRESTER.
- ② TEMPERATURE SENSOR - FUTURE - BY OTHERS.
- ③ VISIBILITY (FOG) SENSOR - FUTURE - BY OTHERS.
- ④ GFCI DUPLEX RECEPTACLE.
- ⑤ SINGLE-POLE, SINGLE-THROW SWITCH.
- ⑥ INCANDESCENT LUMINAIRE, ENCLOSED AND GASKETTED WITH 100 WATT LAMP.
- ⑦ 20 amp, 1-POLE CIRCUIT BREAKER.
- ⑧ 15 amp, 1-POLE CIRCUIT BREAKER.
- ⑨ 15 amp, 2-POLE CIRCUIT BREAKER. (FOUR SPARES REQUIRED BUT NOT SHOWN)
- ⑩ SURGE ARRESTOR
- ⑪ NAVIGATIONAL OVERRIDE "OFF"
- ⑫ PHOTOCELL RELAY
- ⑬ SERVICE DISCONNECT SWITCH - 2-POLE, 3-WIRE, 100 AMP, FUSED AT 100A, SOLID NEUTRAL IN NEMA 4X ENCLOSURE HAVING LOC KABLE EXTERNAL HANDLE.

FILE NAME = D:\077\Jobs\078371\84 Plans\Plans\84 07-08371 detail lighting cont.dgn

KLINGNER & ASSOCIATES, P.C.
Engineers • Architects • Surveyors

USER NAME = seb	DESIGNED - JAK	REVISED -
DRAWN - SEB	CHECKED -	REVISED -
PLLOT SCALE = 0.1000" = 1"	DATE -	REVISED -
PLLOT DATE = 10/9/2013		

CITY OF QUINCY, ILLINOIS
BAYVIEW BRIDGE LIGHTING

LIGHTING CONTROLLER DETAILS
SCALE: NONE SHEET 2 OF 3 SHEETS STA. TO STA.

F.A.P. RTE.	SECTION	COUNTY	TOTAL SHEETS	SHEET NO.
63	05-00297-00-LT	ADAMS	31	30
CONTRACT NO. 93608				
ILLINOIS FED. AID PROJECT				

CONTROLLER SCHEDULE					
DESIGNATION	LOCATION	MODEL #	POWER SOURCE(S)	INPUT POWER	OPTION BOARDS
MS1	(NOT PROVIDED)	MSC1	NORMAL	8-8V DC	(NONE)

ACCEPTABLE CABLE SUBSTITUTIONS:
SUBSTITUTIONS MARKED WITH AN ASTERISK ARE FOR PLENUM-RATED APPLICATIONS.

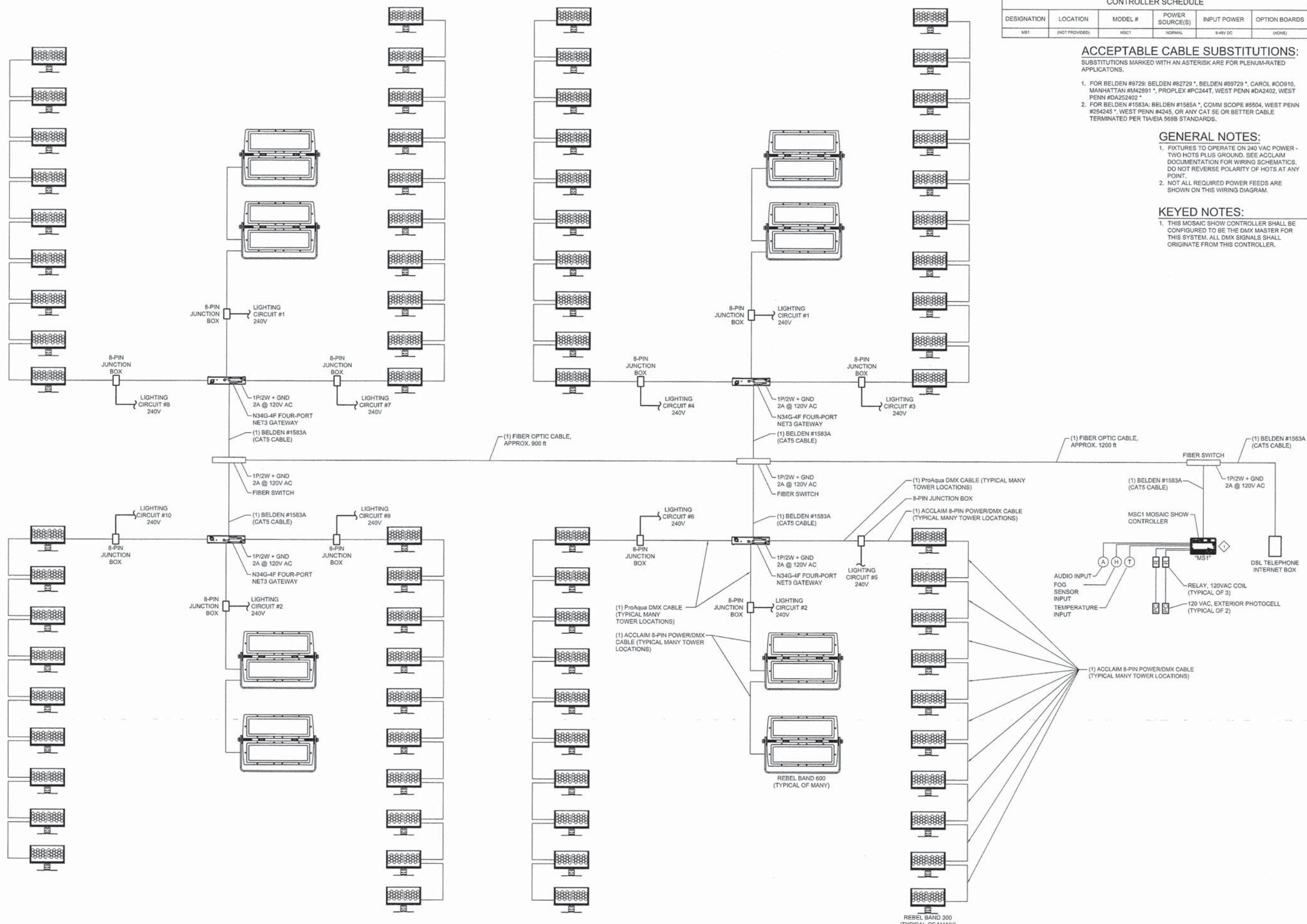
- FOR BELDEN #9729: BELDEN #9729*, BELDEN #99729*, CAROL #C0910, MANHATTAN #M42891*, PROPLEX #PC244T, WEST PENN #DA2402, WEST PENN #DA252402*
- FOR BELDEN #1583A: BELDEN #1585A*, COMM SCOPE #5504, WEST PENN #254245*, WEST PENN #4245, OR ANY CAT 5E OR BETTER CABLE TERMINATED PER TIA/EIA 568B STANDARDS.

GENERAL NOTES:

- FIXTURES TO OPERATE ON 240 VAC POWER - TWO HOTS PLUS GROUND. SEE ACCLAIM DOCUMENTATION FOR WIRING SCHEMATICS. DO NOT REVERSE POLARITY OF HOTS AT ANY POINT.
- NOT ALL REQUIRED POWER FEEDS ARE SHOWN ON THIS WIRING DIAGRAM.

KEYED NOTES:

- THIS MOSAIC SHOW CONTROLLER SHALL BE CONFIGURED TO BE THE DMX MASTER FOR THIS SYSTEM. ALL DMX SIGNALS SHALL ORIGINATE FROM THIS CONTROLLER.



FILE NAME = D:\077\Iles\078371\04 Plans\Plans\Light 07-08371 detail lighting cont.dgn

KLINGNER & ASSOCIATES, P.C.
Engineers • Architects • Surveyors

USER NAME = seb
 PLDT SCALE = 0.1000 / 1"=10'
 PLDT DATE = 10/9/2013

DESIGNED - JAK	REVISED -
DRAWN - JAK	REVISED -
CHECKED -	REVISED -
DATE -	REVISED -

CITY OF QUINCY, ILLINOIS
BAYVIEW BRIDGE LIGHTING

LIGHTING CONTROLLER DETAILS
 SCALE: NONE SHEET 3 OF 3 SHEETS STA. TO STA.

F.A.P. RTE. 63	SECTION 05-00297-00-LT	COUNTY ADAMS	TOTAL SHEETS 31	SHEET NO. 31
CONTRACT NO. 93608				
ILLINOIS FED. AID PROJECT				