

PROPOSED SAFETY PLAN

JO022

GENERAL - THE JOLIET REGIONAL AIRPORT IS COMPRISED OF TWO RUNWAYS. THE PROPOSED CONSTRUCTION WILL NECESSITATE CLOSING BOTH RUNWAYS, AND THE MAIN TAXIWAY "A", WHICH IS TO BE REHABILITATED. THE CONTRACTOR SHALL COORDINATE ALL CLOSURES WITH THE AIRPORT MANAGER. TEMPORARY MARKINGS, BARRICADES AND CLOSURE CROSSES SHALL BE PLACED AND MAINTAINED AS DETAILED ON THIS SHEET AND AS DIRECTED BY THE ENGINEER. ALL CONSTRUCTION/OPERATIONS ARE TO BE PERFORMED IN ACCORDANCE WITH FAA ADVISORY CIRCULAR (AC) 150/5370-2F "OPERATIONAL SAFETY ON AIRPORTS DURING CONSTRUCTION" AND AC 150/5300-13A "AIRPORT DESIGN". ALL WORK INVOLVING CONSTRUCTION SAFETY AND PHASING AS SHOWN ON THIS SHEET IS CONSIDERED INCIDENTAL TO THE PROJECT AND NO ADDITIONAL COMPENSATION WILL BE ALLOWED.

RUNWAY 13-31 - RUNWAY 13-31 WILL BE CLOSED ANY TIME THE CONTRACTOR INTENDS TO WORK WITHIN 125' OF THE RUNWAY CENTERLINE, AS DICTATED BY FAA CRITERIA AND DELINEATED ON THIS SHEET BY THE "AIRCRAFT OPERATION LINE". RUNWAY 13-31 SHALL BE CLOSED ONLY DURING THE CONSTRUCTION DAY AND SHALL BE RE-OPENED AS SOON AS POSSIBLE. THE CONTRACTOR SHALL BE PERMITTED ONE HALF-DAY OF CLOSURE FOR EACH ITEM OF WORK TO BE COMPLETED WITHIN THE AIRCRAFT OPERATION AREA. NO CLOSURES OF RUNWAY 13-31 WILL BE PERMITTED ON WEEKENDS. THE AIRPORT MANAGER HAS COMPLETE AUTHORITY ON DETERMINING WHEN THE RUNWAY MAY BE CLOSED.

RUNWAY 4-22 (TURF RUNWAY) - RUNWAY 4-22 WILL BE CLOSED FOR THE DURATION OF THE PROJECT AND UNTIL THE PROPOSED SEEDING/SODDING OF THE RUNWAY INTERSECTION AREA HAS BEEN ESTABLISHED.

TAXIWAY "A" - TAXIWAY "A" SHALL BE CLOSED FOR THE DURATION OF THE PROJECT. IT WILL BE REOPENED UPON COMPLETION OF THE SHOULDER ADJUSTMENT, SEEDING/SODDING AND MARKING ITEMS.

RUNWAY/TAXIWAY CLOSURE PROCEDURES:

- CONTACT THE AIRPORT MANAGEMENT OR ASSIGNED REPRESENTATIVE A MINIMUM OF 48 HOURS BEFORE THE DESIRED CLOSING TIME.
- ISSUANCE OF NOTAM AND DEACTIVATION OF AIRFIELD LIGHTING AND NAVAIDS BY AIRPORT MANAGEMENT.
- PLACEMENT OF CROSSES, THEN LIGHTED BARRICADES AND CONES (SEE DETAIL ON THIS SHEET).
- ONLY AT THE TIME THAT ALL OF THE ABOVE ARE COMPLETED MAY ANY CONSTRUCTION OPERATIONS WITHIN 125 FT OF RUNWAY 13-31 OR RUNWAY 4-22 CENTERLINE, OR 45 FT OF TAXIWAY "A" CENTERLINE BEGIN.

RUNWAY/TAXIWAY RE-OPENING PROCEDURES:

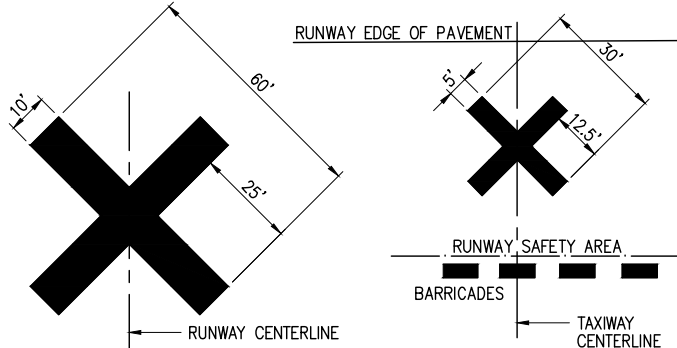
- REMOVE CROSSES AND THEN LIGHTED BARRICADES AND CONES.
 - NOTIFY THE AIRPORT MANAGEMENT TO CANCEL THE NOTAM.
 - CANCELLATION OF THE NOTAM AND ACTIVATION OF AIRFIELD LIGHTING AND NAVAIDS BY AIRPORT MANAGEMENT.
- A CLOSED RUNWAY/TAXIWAY WILL NOT BE RE-OPENED UNTIL ALL EQUIPMENT AND WORK ARE FURTHER THAN 125 FT. FROM THE AFFECTED RUNWAY CENTERLINE OR 45 FT. FROM THE CENTERLINE OF TAXIWAY "A".

AIRCRAFT OPERATION LINE - THE CONTRACTOR WILL LOCATE THIS LINE AT THE START OF CONSTRUCTION AND WILL PLACE AND MAINTAIN A FLAGGED LATHE EVERY 150' ALONG IT THROUGH THE PROJECT AREA. THIS LINE WILL BE THE LIMITS THAT ALL CONTRACTOR PERSONNEL MAY VENTURE WHEN A RUNWAY IS NOT CLOSED.

AIRCRAFT SECURITY WILL BE MAINTAINED AT ALL TIMES. THE CONTRACTOR WILL KEEP THE EXISTING GATE CLOSED THROUGHOUT THE CONSTRUCTION DAY UNLESS HE IS IN A CONTINUOUS HAULING OPERATION. THEN HE WILL PROVIDE A PERSON TO WATCH THE GATE TO INSURE NO PUBLIC VEHICLE ENTERS THROUGH THE GATE. AT THE END OF EACH CONSTRUCTION DAY THE GATE WILL BE CLOSED AND LOCKED.

IDENTIFICATION - ALL CONSTRUCTION EQUIPMENT ON THE AIRPORT SHALL BE MARKED, LIGHTED AND/OR FLAGGED IN ACCORDANCE WITH AC 150/5210-5 AND 70/7460-1. CONTRACTOR VEHICLES AND EQUIPMENT SHALL BE PROPERLY MARKED WITH THREE (3) FOOT SQUARE CHECKERED FLAGS (INTERNATIONAL ORANGE AND WHITE). THE CONTRACTOR WILL ALSO PROVIDE WORKERS WITH SOME TYPE OF TAG OR GARMENT TO IDENTIFY THE PERSON AS BEING PART OF THE CONSTRUCTION CREW.

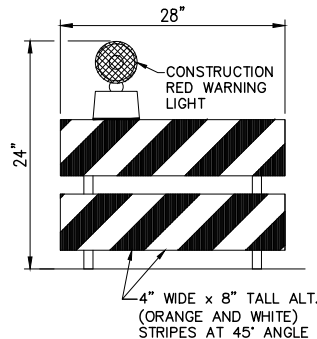
RADIO CONTROL - THE CONTRACTOR WILL BE REQUIRED TO BE IN CONSTANT TWO-WAY RADIO CONTACT (122.70 MHz.) WITH THE JOLIET REGIONAL AIRPORT ANYTIME HE HAS EQUIPMENT OR PERSONNEL ON THE AIRFIELD.



TEMPORARY CLOSURE CROSS DETAIL

NOT TO SCALE

1. TEMPORARY "CLOSED RUNWAY" AND "CLOSED TAXIWAY" MARKINGS SHALL BE "AVIATION YELLOW"
2. TEMPORARY "CLOSED RUNWAY" MARKINGS SHALL BE CONSTRUCTED OF PLYWOOD, DOUBLE-LAYERED SNOW FENCE OR APPROVED FABRIC AND SHALL BE SECURED TO PAVEMENT BY SANDBAGS OR OTHER APPROVED METHOD.
3. TEMPORARY "CLOSED RUNWAY" MARKINGS SHALL BE PLACED OVER THE RUNWAY DESIGNATION NUMBERS UNLESS OTHERWISE DIRECTED BY THE ENGINEER.
4. TEMPORARY "CLOSED TAXIWAY" MARKINGS SHALL BE CONSTRUCTED USING TEMPORARY PAINT SUCH AS SEYMOUR TEMPORARY MARKER, PART NO. 20-636, OR AN EQUIVALENT PAINT EASILY REMOVED WITH WATER WITHOUT DEFACING THE PAVEMENT.
5. TEMPORARY "CLOSED TAXIWAY" MARKINGS SHALL BE PLACED WHEN THE RUNWAY IS OPEN AND THE TAXIWAY IS CLOSED MORE THAN 72 HOURS. THE "CLOSED TAXIWAY" MARKINGS SHALL BE PLACED AS SHOWN ON THIS SHEET.
6. THE PROPOSED CROSSES WILL BE PLACED EACH DAY THE RUNWAY OR TAXIWAY IS CLOSED AND REMOVED WHEN THE RUNWAY OR TAXIWAY IS RE-OPENED. THE CONTRACTOR WILL BE RESPONSIBLE FOR THE PLACEMENT AND REMOVAL OF THE CROSSES. "CLOSED RUNWAY" AND "CLOSED TAXIWAY" MARKINGS SHALL NOT BE A PAY ITEM AND SHALL BE INCIDENTAL TO OTHER CONTRACT BID ITEMS.



MODIFIED TYPE II BARRICADE

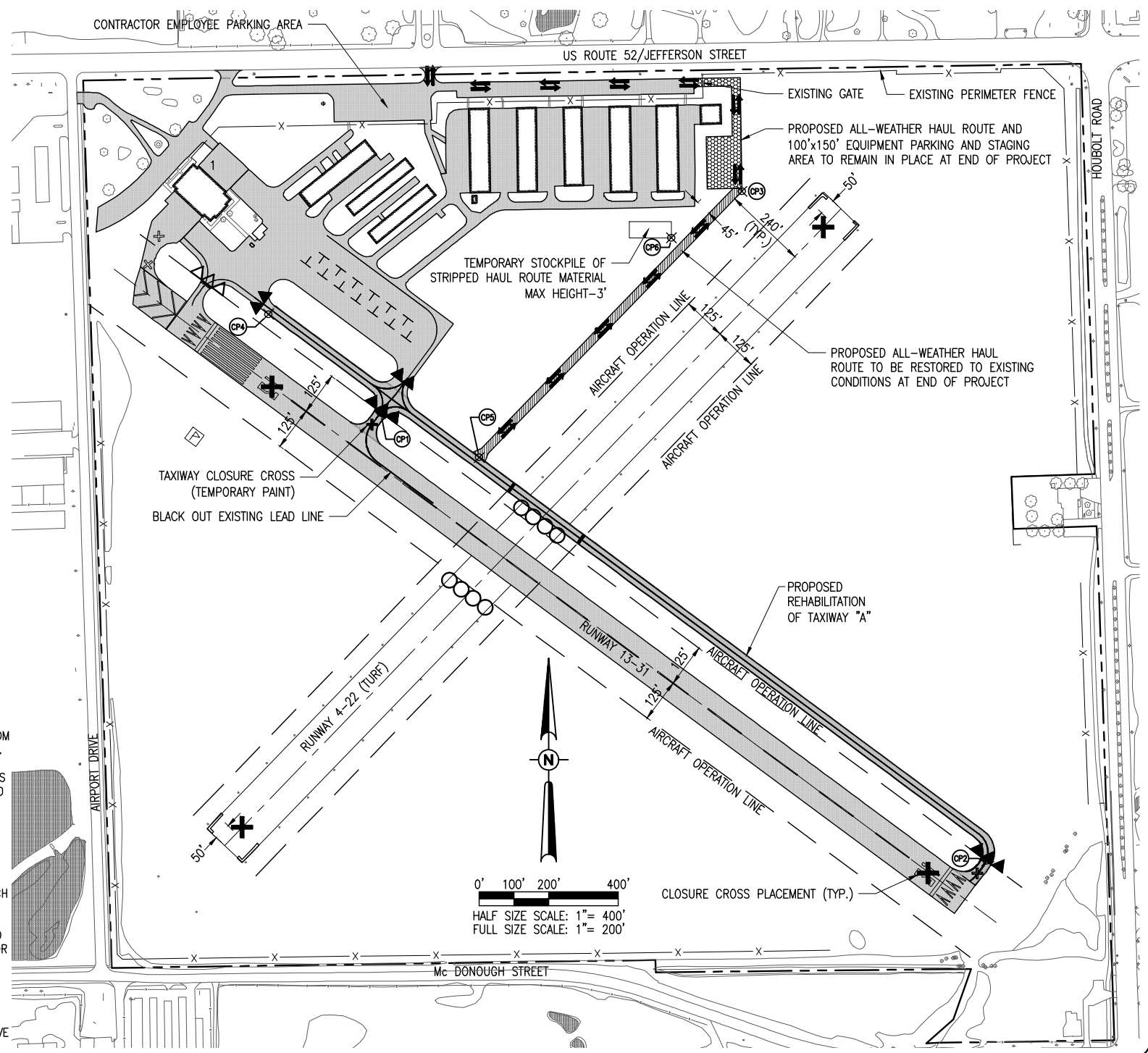
NOT TO SCALE

1. MODIFIED TYPE II BARRICADES SHALL BE SPACED END TO END THE WIDTH OF THE PAVEMENT IN 4' INCREMENTS AS DIRECTED BY THE ENGINEER. BARRICADES ARE TO BE SET BACK 125' FROM THE ACTIVE RUNWAY CENTERLINE OR AS SHOWN ON THE PLANS.
2. CONSTRUCTION RED WARNING LIGHT: THESE ARE PORTABLE, LENS DIRECTED, ENCLOSED LIGHTS. THE COLOR OF THE LIGHT EMITTED SHALL BE RED. THEY MAY BE USED IN EITHER A STEADY BURN (TYPE C) OR LOW INTENSITY FLASHING MODE (TYPE A) UNLESS NOTED OTHERWISE.
3. THE LIGHTING SHALL BE MAINTAINED IN OPERATION DURING THE HOURS OF DARKNESS BETWEEN 1/2 HOUR AFTER SUNSET AND 1/2 HOUR BEFORE SUNRISE AND WHEN CONDITIONS EXIST WHICH TEND TO OBSCURE VISION.
4. BARRICADES SHALL BE SECURED TO THE GROUND BY APPROVED METHODS TO PREVENT MOVEMENT BY PROP WASH, JET BLAST OR OTHER WIND CURRENTS.
5. THE ONLY COLOR COMBINATION ON TYPE II BARRICADES IS ORANGE AND WHITE. THE ORANGE STRIPES SHALL BE ENCAPSULATED LENS REFLECTIVE SHEETING. THE WHITE STRIPES SHALL BE EITHER ENCAPSULATED OR ENCLOSED LENS REFLECTIVE SHEETING AND MUST BE IN ACCEPTABLE CONDITION.

CRITICAL POINTS					
POINT #	DESCRIPTION	LATITUDE	LONGITUDE	GROUND ELEV. (MSL)	HEIGHT (AGL)
1	PAVING	041° 31' 08.29"	-088° 10' 37.94"	578.3	20
2	PAVING	041° 30' 55.52"	-088° 10' 15.06"	577.0	20
3	PAVING	041° 31' 14.57"	-088° 10' 24.27"	580.0	20
4	HAULING	041° 31' 11.10"	-088° 10' 42.17"	579.4	15
5	HAULING	041° 31' 07.02"	-088° 10' 34.22"	578.0	15
6	STOCKPILE	041° 31' 13.25"	-088° 10' 26.94"	578.0	3

LEGEND

- EXISTING IMPROVEMENTS
- PROPOSED IMPROVEMENTS
- EXISTING BUILDINGS
- PROPOSED HAUL ROUTE
- AIRCRAFT PROPERTY LINE
- PROPOSED BARRICADES WHEN TAXIWAY "A" IS CLOSED
- PROPOSED BARRICADES WHEN RUNWAY 13-31 IS CLOSED
- PROPOSED BARRICADES WHEN RUNWAY 4-22 IS CLOSED
- RUNWAY/TAXIWAY CLOSURE CROSSES



NOV 26, 2013 8:25 AM SCHWED1296

REVISION
DATE

**JOLIET REGIONAL AIRPORT
JOLIET PARK DISTRICT
JOLIET, ILLINOIS**

IL PROJ.: JOT-4233 S.B.G. PROJ.: 3-17-SBGP-XX

Hanson Project No.	C-004-SFY.DWG
Filename	1-200
Scale	1"=200'
Date	11/1/13
LAYOUT	KBS 4/30/13
DRAWN	KBS 4/30/13
REVIEWED	CAH 11/1/13

HANSON
Professional Services Inc. 2013
Hanson Professional Services Inc.
1525 South Sixth Street
Springfield, Illinois 62703-2886
Ph: (217) 788-2450 Fax: (217) 788-2503
www.hanson-inc.com
Offices Nationwide

**REHABILITATE
TAXIWAY "A"**

**CONSTRUCTION SAFETY
AND PHASING PLAN**

4
4 of 17 sheets