

065

01-17-2020 LETTING ITEM 065

STATE OF ILLINOIS
DEPARTMENT OF TRANSPORTATION

F.A.I. RTE.	SECTION	COUNTY	TOTAL SHEETS	SHEET NO.
64	14-1RS-2	CLINTON	8	1
ILLINOIS			CONTRACT NO. 76N08	

FOR INDEX OF SHEETS, SEE SHEET NO. 2

PROPOSED HIGHWAY PLANS

FAI ROUTE 64 (I-064)
SECTION 14-1RS-2
PROJECT NHPP-XD6E(858)
ULTRA-THIN BONDED WEARING COURSE
CLINTON COUNTY

D-98-034-20



C-98-048-20

BEGIN PROJECT
STA. 1475+15
LAT: 38.518719
LONG: -89.705221

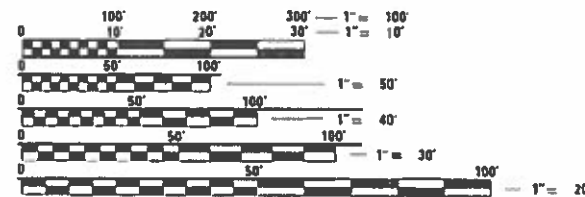


BRIDGE OMISSION
014-0045 (WB)
STA. 1801+94 TO STA. 1803+20
014-0044 (EB)
STA. 1802+07 TO STA. 1803+25

BRIDGE OMISSION
014-0047 (WB)
1839+54 STA. TO STA. 1843+39
014-0046 (EB)
STA. 1836+65 TO STA. 1840+71

BRIDGE OMISSION
014-0040 & 014-0041
STA. 1654+88 TO STA. 1657+12
014-0042 & 014-0043
STA. 1662+83 TO STA. 1665+06

END PROJECT
STA. 1854+60 (WB)
STA. 1852+90 (EB)
LAT: 38.479196
LONG: -89.581346



FULL SIZE PLANS HAVE BEEN PREPARED USING STANDARD ENGINEERING SCALES. REDUCED SIZED PLANS WILL NOT CONFORM TO STANDARD SCALES. IN MAKING MEASUREMENTS ON REDUCED PLANS THE ABOVE SCALES MAY BE USED.

J.U.L.I.E.
JOINT UTILITY LOCATION INFORMATION FOR EXCAVATORS
1-800-892-0123
OR 811

PROJECT ENGINEER: HERVE GELIN (618) 346-3179
PROJECT MANAGER: BILLIE OWEN (618) 346-3209

CONTRACT NO. 76N08

GROSS LENGTH = 39,568 FT. = 7.49 MILE
NET LENGTH = 38,594 FT EB . = 7.309 MILE
NET LENGTH = 38,610 FT WB . = 7.313 MILE

STATE OF ILLINOIS
DEPARTMENT OF TRANSPORTATION

SUBMITTED Oct. 4 2019
Keith Roberts
REGIONAL ENGINEER

David A. Etkin
ENGINEER OF DESIGN AND ENVIRONMENT

David A. Etkin
DIRECTOR OF HIGHWAYS PROJECT IMPLEMENTATION

PRINTED BY THE AUTHORITY
OF THE STATE OF ILLINOIS

CODE NO.	ITEM	UNIT	90% FED 10% STATE		CONSTR. CODE
			TOTAL QUANTITY	ROADWAY	
				0005 NONE	
40600250	RAPID SETTING POLYMER MODIFIED EMULSION	POUND	350486	350486	
40600990	TEMPORARY RAMP	SQ YD	185	185	
44000152	HOT-MIX ASPHALT SURFACE REMOVAL, 3/4"	SQ YD	204965	204965	
44200176	PAVEMENT PATCHING, TYPE I, 15 INCH	SQ YD	20	20	
44200180	PAVEMENT PATCHING, TYPE II, 15 INCH	SQ YD	12	12	
44200184	PAVEMENT PATCHING, TYPE III, 15 INCH	SQ YD	18	18	
44200186	PAVEMENT PATCHING, TYPE IV, 15 INCH	SQ YD	53	53	
67100100	MOBILIZATION	L SUM	1	1	
70100420	TRAFFIC CONTROL AND PROTECTION, STANDARD 701411	EACH	4	4	
70100800	TRAFFIC CONTROL AND PROTECTION, STANDARD 701401	L SUM	1	1	
70107025	CHANGEABLE MESSAGE SIGN	CAL DA	112	112	
70200100	NIGHTTIME WORK ZONE LIGHTING	L SUM	1	1	
70300100	SHORT TERM PAVEMENT MARKING	FOOT	12611	12611	
70300150	SHORT TERM PAVEMENT MARKING REMOVAL	SQ FT	4204	4204	

CODE NO.	ITEM	UNIT	90% FED 10% STATE		CONSTR. CODE
			TOTAL QUANTITY	ROADWAY	
				0005 NONE	
70300240	TEMPORARY PAVEMENT MARKING - LINE 6"	FOOT	166020	166020	
* 78000400	THERMOPLASTIC PAVEMENT MARKING - LINE 6"	FOOT	166020	166020	
* 78100100	RAISED REFLECTIVE PAVEMENT MARKER	EACH	1845	1845	
78300200	RAISED REFLECTIVE PAVEMENT MARKER REMOVAL	EACH	1845	1845	
X0300014	ULTRA-THIN HOT-MIX ASPHALT SURFACE COURSE, MIX E	SQ YD	204963	204963	
X4405065	LONGITUDINAL PARTIAL DEPTH REMOVAL 6 1/2"	FOOT	4480	4480	
X4406065	PARTIAL DEPTH REMOVAL, TYPE I, 6.5"	SQ YD	27	27	
X4406265	PARTIAL DEPTH REMOVAL, TYPE II, 6.5"	SQ YD	171	171	
X4406465	PARTIAL DEPTH REMOVAL, TYPE III, 6.5"	SQ YD	67	67	
X4406665	PARTIAL DEPTH REMOVAL, TYPE IV, 6.5"	SQ YD	120	120	
X4420900	LONGITUDINAL PARTIAL DEPTH PATCHING	TON	199	199	
X4421000	PARTIAL DEPTH PATCHING	TON	128	128	
X7030005	TEMPORARY PAVEMENT MARKING REMOVAL	SQ FT	55340	55340	
Ø Z0076600	TRAINEES	HOUR	1500	1500	
Ø Z0076604	TRAINEES TRAINING PROGRAM GRADUATE	HOUR	1500	1500	

* SPECIALTY ITEM

Ø 0042

REV. - MS

MODEL: I:\MODEL\MAMES FILE: MAMES_PAV_Signment.dwg, I:\Illinois.gov\PIWDOT\Documents\DOT_Offices\District 8\Projects\07676N08\CADD\DATA\CAD\Sheet\07676N08-115-S00.dgn

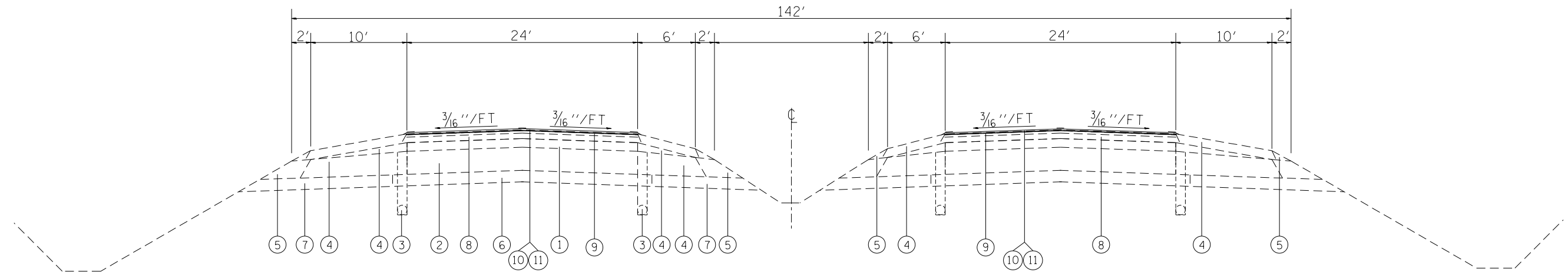
USER NAME = agboolato	DESIGNED -	REVISED -
	DRAWN -	REVISED -
PLOT SCALE = 100.0000' / in.	CHECKED -	REVISED -
PLOT DATE = 10/8/2019	DATE -	REVISED -

**STATE OF ILLINOIS
DEPARTMENT OF TRANSPORTATION**

SUMMARY OF QUANTITIES

SCALE: SHEET OF SHEETS STA. TO STA.

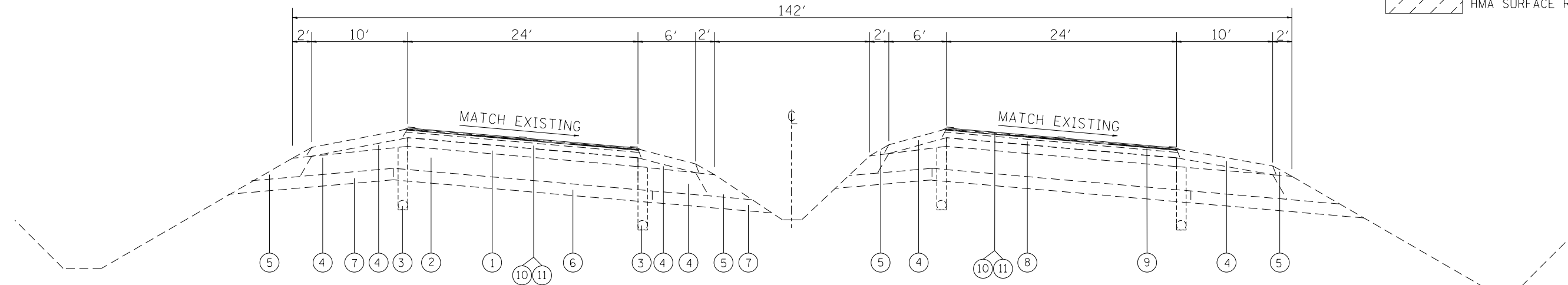
F.A.I. RTE.	SECTION	COUNTY	TOTAL SHEETS	SHEET NO.
64	14-1R5-2	CLINTON	8	3
CONTRACT NO. 76N08				
ILLINOIS FED. AID PROJECT				



TANGENT SECTION

STA 1504+12.81 TO STA 1546+08.44
 STA 1591+36.16 TO STA 1658+96.98
 STA 1695+96.98 TO STA 1705+51.13
 STA 1730+74.46 TO STA 1740+45.09
 STA 1772+88.83 WB TO STA 1783+00.00 WB
 STA 1778+36.32 EB TO STA 1782+40.00 EB

HMA SURFACE REMOVAL 3/4"



SUPERELEVATED SECTION

RIGHT EDGE OF PAVEMENT SUPERELEVATED
 STA 1475+15.00 TO STA 1502+12.81
 STA 1707+51.13 TO STA 1728+74.46

LEFT EDGE OF PAVEMENT SUPERELEVATED
 STA 1548+08.44 TO STA 1590+36.16
 STA 1660+96.98 TO STA 1693+98.51
 STA 1742+45.08 TO STA 1770+88.33 WB
 STA 1742+45.09 TO STA 1776+39.32 EB

LEGEND

- ① EXISTING RESURFACING 3/4"
- ② EXISTING 8" CONTINUOUSLY REINFORCED PCC PAVEMENT
- ③ EXISTING PIPE UNDERDRAINS, 4"
- ④ EXISTING BITUMINOUS SHOULDER
- ⑤ EXISTING AGGREGATE SHOULDER
- ⑥ EXISTING BAM STABILIZED SUB-BASE 4"
- ⑦ EXISTING TYPE C SUB-BASE 4"
- ⑧ EXISTING BITUMINOUS BINDER (MACHINE METHOD) 1 3/4"
- ⑨ EXISTING BITUMINOUS SURFACE COURSE MIX D, CLASS I 1 1/2"
- ⑩ PROPOSED RAPID SETTING POLYMER MODIFIED EMULSION
- ⑪ PROPOSED ULTRA-THIN HMA SURFACE COURSE

MODEL: \\MODELNAME
 FILE: \\NAME.Plot
 PROJECT: \\PROJECTNAME
 OFFICE: \\OFFICE
 DRAWN: \\DRAWN
 CHECKED: \\CHECKED
 DATE: \\DATE
 PLOT DATE: 10/8/2019

USER NAME = agboolato	DESIGNED -	REVISED -
	DRAWN -	REVISED -
PLOT SCALE = 100,0000' / in.	CHECKED -	REVISED -
PLOT DATE = 10/8/2019	DATE -	REVISED -

**STATE OF ILLINOIS
 DEPARTMENT OF TRANSPORTATION**

TYPICAL SECTIONS

SCALE: SHEET 1 OF 2 SHEETS STA. TO STA.

F.A.J. RTE.	SECTION	COUNTY	TOTAL SHEETS	SHEET NO.
64	14-1R5-2	CLINTON	8	4
CONTRACT NO. 76N08				
ILLINOIS FED. AID PROJECT				

TEMPORARY RAMP SCHEDULE			
STATION	LOCATION	WIDTH	TEMPORARY RAMP
I-64 WESTBOUND		FOOT	SQ YD
1475+15	START	25	9.3
1654+88	SN 014-0041	25	9.3
1657+12	SN 014-0041	25	9.3
1662+83	SN 014-0043	25	9.3
1665+06	SN 014-0043	25	9.3
1801+94	SN 014-0045	25	9.3
1803+20	SN 014-0045	25	9.3
1839+54	SN 014-0047	25	9.3
1843+39	SN 014-0047	25	9.3
1854+60	END	25	9.3
I-64 EASTBOUND			
1475+15	START	25	9.3
1654+88	SN 014-0040	25	9.3
1657+12	SN 014-0040	25	9.3
1662+82	SN 014-0042	25	9.3
1665+08	SN 014-0042	25	9.3
1802+07	SN 014-0044	25	9.3
1803+25	SN 014-0044	25	9.3
1836+65	SN 014-0046	25	9.3
1840+71	SN 014-0046	25	9.3
1852+90	END	25	9.3
TOTAL :			185

PAVEMENT MARKING SCHEDULE										
STATION TO STATION		TEMPORARY PAVEMENT MARKING			THERMOPLASTIC PAVEMENT MARKING LINE -			SHORT TERM PAVEMENT MARKING	SHORT TERM PAVEMENT MARKING REMOVAL	TEMPORARY PAVEMENT MARKING REMOVAL
		6" SKIP-DASH WHITE	6" SOLID WHITE	6" SOLID YELLOW	6" SKIP-DASH WHITE	6" SOLID WHITE	6" SOLID YELLOW			
STA	TO STA	FOOT	FOOT	FOOT	FOOT	FOOT	FOOT	FOOT	SQ FT	SQ FT
I-064 WESTBOUND										
1475+15	TO 1654+88	4493	17973	17973	4493	17973	17973	3072	1024	13479
1654+88	TO 1657+12				BRIDGE OMISSION					
1657+12	TO 1662+83	143	571	571	143	571	571	98	33	428
1662+83	TO 1665+06				BRIDGE OMISSION					
1665+06	TO 1801+94	3422	13688	13688	3422	13688	13688	2339	780	10266
1801+94	TO 1803+20				BRIDGE OMISSION					
1803+20	TO 1839+54	908	3634	3634	908	3634	3634	621	207	2725
1839+54	TO 1843+39				BRIDGE OMISSION					
1843+39	TO 1854+60	280	1121	1121	280	1121	1121	192	64	841
I-064 EASTBOUND										
1475+15	TO 1654+88	4493	17973	17973	4493	17973	17973	3072	1024	13479
1654+88	TO 1657+12				BRIDGE OMISSION					
1657+12	TO 1662+82	142	570	570	142	570	570	97	32	427
1662+82	TO 1665+08				BRIDGE OMISSION					
1665+08	TO 1802+07	3425	13699	13699	3425	13699	13699	2341	780	10274
1802+07	TO 1803+25				BRIDGE OMISSION					
1803+25	TO 1836+65	835	3340	3340	835	3340	3340	571	190	2505
1836+65	TO 1840+71				BRIDGE OMISSION					
1840+71	TO 1852+90	305	1219	1219	305	1219	1219	208	69	914
SUBTOTAL		18447	73787	73787	18447	73787	73787	12611	4204	55340
TOTAL			166020			166020		12611	4204	55340

RAISED PAVEMENT MARKERS			
LOCATION		RAISED REFLECTOR PAVEMENT MARKER	RAISED REFLECTOR PAVEMENT MARKER
STA	TO STA	EACH	EACH
I-064 WESTBOUND			
1475+15	TO 1654+88	449	449
1654+88	TO 1657+12		BRIDGE OMISSION
1657+12	TO 1662+83	14	14
1662+83	TO 1665+06		BRIDGE OMISSION
1665+06	TO 1801+94	342	342
1801+94	TO 1803+20		BRIDGE OMISSION
1803+20	TO 1839+54	91	91
1839+54	TO 1843+39		BRIDGE OMISSION
1843+39	TO 1854+60	28	28
I-064 EASTBOUND			
1475+15	TO 1654+88	449	449
1654+88	TO 1657+12		BRIDGE OMISSION
1657+12	TO 1662+82	14	14
1662+82	TO 1665+08		BRIDGE OMISSION
1665+08	TO 1802+07	342	342
1802+07	TO 1803+25		BRIDGE OMISSION
1803+25	TO 1836+65	84	84
1836+65	TO 1840+71		BRIDGE OMISSION
1840+71	TO 1852+90	30	30
TOTAL :		1845	1845

RAPID SETTING POLYMER MODIFIED EMULSION			
STA	TO STA	(POUNDS)	
I-064 WESTBOUND			
1475+15	TO 1654+88	85370	
1654+88	TO 1657+12		BRIDGE OMISSION
1657+12	TO 1662+83	2713	
1662+83	TO 1665+06		BRIDGE OMISSION
1665+06	TO 1801+94	65017	
1801+94	TO 1803+20		BRIDGE OMISSION
1803+20	TO 1839+54	17261	
1839+54	TO 1843+39		BRIDGE OMISSION
1843+39	TO 1854+60	5326	
I-064 EASTBOUND			
1475+15	TO 1654+88	85370	
1654+88	TO 1657+12		BRIDGE OMISSION
1657+12	TO 1662+82	2706	
1662+82	TO 1665+08		BRIDGE OMISSION
1665+08	TO 1802+07	65068	
1802+07	TO 1803+25		BRIDGE OMISSION
1803+25	TO 1836+65	15866	
1836+65	TO 1840+71		BRIDGE OMISSION
1840+71	TO 1852+90	5789	
TOTAL :		350486	

HOT MIX ASPHALT REMOVAL 3/4"			
STA	TO STA	(SQ YD)	
I-064 WESTBOUND			
1475+15	TO 1654+88	49924	
1654+88	TO 1657+12		BRIDGE OMISSION
1657+12	TO 1662+83	1587	
1662+83	TO 1665+06		BRIDGE OMISSION
1665+06	TO 1801+94	38022	
1801+94	TO 1803+20		BRIDGE OMISSION
1803+20	TO 1839+54	10094	
1839+54	TO 1843+39		BRIDGE OMISSION
1843+39	TO 1854+60	3115	
I-064 EASTBOUND			
1475+15	TO 1654+88	49924	
1654+88	TO 1657+12		BRIDGE OMISSION
1657+12	TO 1662+82	1582	
1662+82	TO 1665+08		BRIDGE OMISSION
1665+08	TO 1802+07	38052	
1802+07	TO 1803+25		BRIDGE OMISSION
1803+25	TO 1836+65	9278	
1836+65	TO 1840+71		BRIDGE OMISSION
1840+71	TO 1852+90	3385	
TOTAL :		204963	

ULTRA-THIN HMA SURFACE COURSE				
STA	TO STA	LENGTH	WIDTH	(SQ YD)
I-064 WESTBOUND				
1475+15	TO 1654+88	17973	25	49924
1654+88	TO 1657+12			BRIDGE OMISSION
1657+12	TO 1662+83	571	25	1587
1662+83	TO 1665+06			BRIDGE OMISSION
1665+06	TO 1801+94	13688	25	38022
1801+94	TO 1803+20			BRIDGE OMISSION
1803+20	TO 1839+54	3634	25	10094
1839+54	TO 1843+39			BRIDGE OMISSION
1843+39	TO 1854+60	1121	25	3115
I-064 EASTBOUND				
1475+15	TO 1654+88	17973	25	49924
1654+88	TO 1657+12			BRIDGE OMISSION
1657+12	TO 1662+82	570	25	1582
1662+82	TO 1665+08			BRIDGE OMISSION
1665+08	TO 1802+07	13699	25	38052
1802+07	TO 1803+25			BRIDGE OMISSION
1803+25	TO 1836+65	3340	25	9278
1836+65	TO 1840+71			BRIDGE OMISSION
1840+71	TO 1852+90	1219	25	3385
TOTAL :				204963

MODEL: I:\MODEL\MHMS
 FILE: MHMS_Plan\Illum\Illum.dwg
 PROJECT: I:\Projects\076N08\076N08\CADD\DATA\CADD\Illum.dwg
 OFFICE: I:\Projects\076N08\076N08\CADD\DATA\CADD\Illum.dwg

USER NAME = agboolato	DESIGNED -	REVISED -
	DRAWN -	REVISED -
PLOT SCALE = 100,0000 ' / in.	CHECKED -	REVISED -
PLOT DATE = 10/8/2019	DATE -	REVISED -

**STATE OF ILLINOIS
DEPARTMENT OF TRANSPORTATION**

SCHEDULE OF QUANTITIES

SCALE: SHEET 1 OF 2 SHEETS STA. TO STA.

F.A.J. RTE.	SECTION	COUNTY	TOTAL SHEETS	SHEET NO.
64	14-1R5-2	CLINTON	8	6
CONTRACT NO. 76N08				
ILLINOIS FED. AID PROJECT				

MODEL: s:\MODEL\MHFS
 FILE: MHFS_Plan\Illinois\gpcr\PROJECTS\DOT_Offices\Illinois\DOT\Documents\DOT_Offices\Illinois\DOT\Projects\1475+18\1475+18-PC-Schedule.dgn

PARTIAL DEPTH PATCHING SCHEDULE						
STATION	LANE	LENGTH	WIDTH	PARTIAL DEPTH PATCHING	LONGITUDINAL PARTIAL DEPTH PATCHING	
					(SQ YDS)	(TON)
EASTBOUND						
		(FT)	(FT)	(TON)	(SQ YDS)	(TON)
STA. 1475+18	DL	3	24	3	8.0	3
STA. 1475+18	PL	3	24	3	8.0	3
STA. 1475+19	DL	3	24	3	8.0	3
STA. 1475+19	PL	3	24	3	8.0	3
STA. 1475+19	DL	3	24	3	8.0	3
STA. 1475+19	PL	3	24	3	8.0	3
STA. 1475+20	DL	100	2		22.2	8
STA. 1475+20	DL	80	2		17.8	6
STA. 1475+21	DL	30	2		6.7	2
WESTBOUND						
STA. 1475+15	DL	90	12		120.0	44
STA. 1475+16	DL	30	12		40.0	15
STA. 1475+18	DL	25	12		33.3	12
STA. 1475+18	DL	4	12		5.3	2
STA. 1475+18	PL	4	12		5.3	2
STA. 1475+18	DL	3	12		4.0	1
STA. 1475+18	PL	3	12		4.0	1
STA. 1475+19	DL	3	12		4.0	1
STA. 1475+19	PL	3	12		4.0	1
STA. 1475+19	DL	12	6		8.0	3
STA. 1475+19	PL	12	6		8.0	3
STA. 1475+20	DL	200	3		66.7	24
STA. 1475+20	DL	120	2		26.7	10
STA. 1475+21	DL	100	3		33.3	
STA. 1475+21	CL	100	2		22.2	8
PARTIAL DEPTH QUANTITY TO ADDRESS ANTICIPATED CENTERLINE FAILURES AS DIRECTED BY THE ENGINEER					450.0	164
TOTALS					128	199

PARTIAL DEPTH REMOVAL TYPE						
STATION	LANE	TYPE I	TYPE II	TYPE III	TYPE IV	LONGITUDINAL
		(SQ YD)	(SQ YD)	(SQ YD)	(SQ YD)	(FOOT)
EASTBOUND						
STA. 1475+18	DL		8			
STA. 1475+18	PL		8			
STA. 1475+19	DL		8			
STA. 1475+19	PL		8			
STA. 1475+19	DL		8			
STA. 1475+19	PL		8			
STA. 1475+20	DL					100
STA. 1475+20	DL					80
STA. 1475+21	DL					30
WESTBOUND						
STA. 1475+15	DL				120	
STA. 1475+16	DL		40			
STA. 1475+18	DL		33			
STA. 1475+18	DL	5				
STA. 1475+18	PL	5				
STA. 1475+18	DL	4				
STA. 1475+18	PL	4				
STA. 1475+19	DL	4				
STA. 1475+19	PL	4				
STA. 1475+19	DL		8			
STA. 1475+19	PL		8			
STA. 1475+20	DL			67		
STA. 1475+20	DL					120
STA. 1475+21	DL		33			
STA. 1475+21	CL					100
PARTIAL DEPTH QUANTITY TO ADDRESS ANTICIPATED CENTERLINE FAILURES AS DIRECTED BY THE ENGINEER						4050
TOTALS		27	171	67	120	4480

FULL DEPTH PAVEMENT PATCHING SCHEDULE							
STATION	LANE	LENGTH	WIDTH	PAVEMENT PATCHING TYPE I 15"	PAVEMENT PATCHING TYPE II 15"	PAVEMENT PATCHING TYPE III 15"	PAVEMENT PATCHING TYPE IV 15"
				(SQ YD)	(SQ YD)	(SQ YD)	(SQ YD)
EASTBOUND							
STA. 1475+16	DL	8	6		5.3		
STA. 1475+16	DL	6	6	4.0			
STA. 1475+16	DL	10	6		6.7		
STA. 1475+17	DL	6	6	4.0			
STA. 1475+17	DL	6	6	4.0			
STA. 1475+20	DL	80	6				53.3
WESTBOUND							
STA. 1475+20	DL	80	2			17.8	
STA. 1475+21	DL	6	6	4.0			
STA. 1475+21	DL	6	6	4.0			
TOTALS				20	12	18	53

USER NAME = agboolato	DESIGNED -	REVISED -
	DRAWN -	REVISED -
PLOT SCALE = 100.0000' / in.	CHECKED -	REVISED -
PLOT DATE = 10/8/2019	DATE -	REVISED -

**STATE OF ILLINOIS
DEPARTMENT OF TRANSPORTATION**

SCHEDULE OF QUANTITIES

SCALE: SHEET 2 OF 2 SHEETS STA. TO STA.

F.A.J. RTE.	SECTION	COUNTY	TOTAL SHEETS	SHEET NO.
64	14-1R5-2	CLINTON	8	7
CONTRACT NO. 76N08				
ILLINOIS FED. AID PROJECT				

