

STATE OF ILLINOIS
DEPARTMENT OF TRANSPORTATION

RTE.	SECTION	COUNTY	TOTAL SHEET NO.
	(580,581)PP-1		10 3
ILLINOIS		CONTRACT NO. 76N23	
* FAP 594/FAU 9213		** MADISON & ST. CLAIR	

FOR INDEX OF SHEETS, SEE SHEET NO. 2

TRAFFIC DATA

IL 203 - EAGLE PARK ROAD TO OHIO AVENUE
 2017 ADT = 13,600 (ACTUAL)
 2020 ADT = 14,200 (ESTIMATED)
 2040 ADT = 19,100 (ESTIMATED)
 SU = 13.6% MU = 7.2%

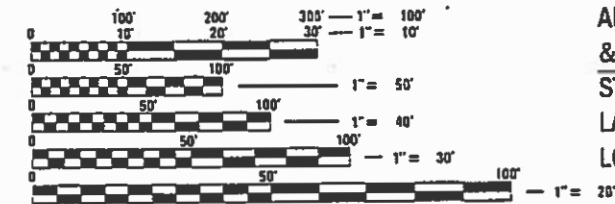
IL 203 - OHIO AVENUE TO I-55/70
 2017 ADT = 17,000 (ACTUAL)
 2020 ADT = 17,800 (ESTIMATED)
 2040 ADT = 22,900 (ESTIMATED)
 SU = 8.8% MU = 11.8%

IL 203 - I-55/70 TO COLLINSVILLE ROAD
 2017 ADT = 3,050 (ACTUAL)
 2020 ADT = 3,200 (ESTIMATED)
 2040 ADT = 4,300 (ESTIMATED)
 SU = 13.9% MU = 6.6%

COLLINSVILLE RD/9TH ST - IL 203 TO LAKE AVENUE
 2017 ADT = 2,900 (ACTUAL)
 2020 ADT = 3,050 (ESTIMATED)
 2040 ADT = 4,100 (ESTIMATED)
 SU = 6.6% MU = 6.9%

BRIDGE OMISSIONS

STA. 5+69 TO STA. 7+02 SN 082-0029
 STA. 13+58 TO STA. 16+36 SN 082-0028
 NB STA. 151+07 TO STA. 153+80 SN 082-0026
 SB STA. 151+20 TO STA. 154+00 SN 082-0027



FULL SIZE PLANS HAVE BEEN PREPARED USING STANDARD ENGINEERING SCALES. REDUCED SIZED PLANS WILL NOT CONFORM TO STANDARD SCALES. IN MAKING MEASUREMENTS ON REDUCED PLANS, THE ABOVE SCALES MAY BE USED.

J.U.L.I.E.
 JOINT UTILITY LOCATION INFORMATION FOR EXCAVATORS
 1-800-892-0123
 OR 811

PROJECT ENGINEER: TIM PADGETT (618) 346-3325
 PROJECT MANAGER: PHIL FREIMUTH (618) 346-3194

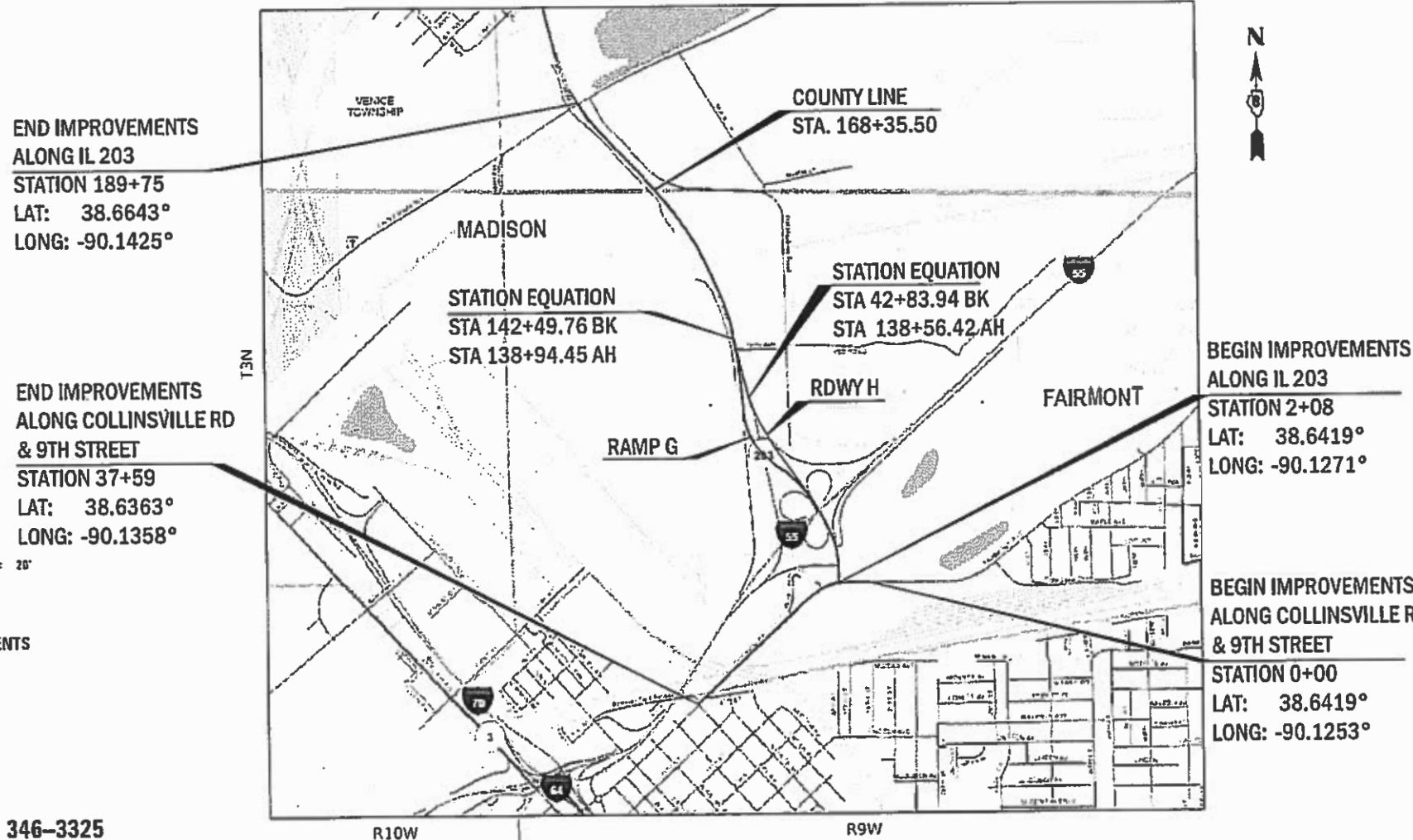
CONTRACT NO. 76N23

PROPOSED HIGHWAY PLANS

FAP 594 /FAU 9213 (IL 203/COLLINSVILLE RD/9TH ST)
 SECTION (580,581)PP-1

PATCHING - CM
 MADISON & ST. CLAIR COUNTIES

C-98-063-20



STATE OF ILLINOIS
 DEPARTMENT OF TRANSPORTATION

SUBMITTED Oct 28, 2019
Kath Roberts
 REGIONAL ENGINEER

Dec 10, 2019
Paul J. Chaf
 ENGINEER OF DESIGN AND ENVIRONMENT

Dec 16, 2019
Paul J. Chaf
 DIRECTOR OF HIGHWAYS PROJECT IMPLEMENTATION

PRINTED BY THE AUTHORITY
 OF THE STATE OF ILLINOIS

GROSS LENGTH = 13209.00 FT. = 2.502 MILE
 NET LENGTH = 12518.00 FT. = 2.371 MILE

SCALE: 1" = 0.25 MILE

INDEX OF SHEETS

1	COVER
2	INDEX OF SHEETS, STANDARDS, GENERAL NOTES & COMMITMENTS
3	SUMMARY OF QUANTITIES
4-7	TYPICAL SECTIONS
8	SCHEDULE OF QUANTITIES
9-10	EXISTING DETECTOR LOOP DETAILS

STANDARDS

000001-07	STANDARD SYMBOLS, ABBREVIATIONS AND PATTERNS
001006	DECIMAL OF AN INCH AND OF A FOOT
420701-03	PAVEMENT WELDED WIRE REINFORCEMENT
442101-09	CLASS B PATCHES
701301-04	LANE CLOSURE, 2L, 2W SHORT TERM OPERATIONS
701422-10	LANE CLOSURE, MULTILANE, FOR SPEEDS \geq 45 MPH TO 55 MPH
701426-09	LANE CLOSURE, MULTILANE, INTERMITTENT OR MOVING OPER., FOR SPEEDS \geq 45 MPH
701456-05	PARTIAL EXIT RAMP CLOSURE FREEWAY/EXPRESSWAY
701501-06	URBAN LANE CLOSURE, 2L, 2W UNDIVIDED
701606-10	URBAN SINGLE LANE CLOSURE, MULTILANE, 2W WITH MOUNTABLE MEDIAN
701611-01	URBAN HALF ROAD CLOSURE, MULTILANE, 2W WITH MOUNTABLE MEDIAN
701701-10	URBAN LANE CLOSURE, MULTILANE INTERSECTION
701901-08	TRAFFIC CONTROL DEVICES

GENERAL NOTES

- ILLINOIS STATE LAW REQUIRES A 48-HOUR NOTICE TO BE GIVEN TO UTILITIES BEFORE DIGGING. FIELD MARKING OF FACILITIES MAY BE OBTAINED BY CONTACTING J.U.L.I.E. (1-800-892-0123 OR 811) OR FOR NON-MEMBERS THE UTILITY COMPANY DIRECTLY.
- THE CONTRACTOR AND THE ENGINEER SHALL BE AWARE THAT NO SURVEY WAS PERFORMED FOR THIS PROJECT, THE STATIONING, TOPOGRAPHY AND QUANTITIES SHOWN ON THESE PLANS WERE CREATED USING MICROFILM AND FIELD MEASUREMENTS. ALL SHALL BE ASSUMED TO BE APPROXIMATE. THE CONTRACTOR SHALL VERIFY DIMENSIONS AND CONDITIONS IN THE FIELD PRIOR TO CONSTRUCTION AND ORDERING OF MATERIALS.
- FLAGGERS SHALL BE REQUIRED AT ALL TIMES DURING PATCHING OPERATIONS.
- HIGH EARLY STRENGTH CONCRETE FOR PAVEMENT PATCHING WILL BE ALLOWED.
- THE ILLINOIS DEPARTMENT OF TRANSPORTATION STRONGLY ENCOURAGES THE PRIME CONTRACTOR AND THEIR APPROVED SUB-CONTRACTORS TO HIRE MINORITY, WOMEN AND DISADVANTAGED INDIVIDUALS FROM ITS FEDERALLY FUNDED HIGHWAY CONSTRUCTION CAREERS TRAINING PROGRAM (HCCTP) TO HELP MEET WORKFORCE AND TRAINEE GOALS. THIS PROGRAM IS TRAINING MINORITIES, WOMEN AND DISADVANTAGED INDIVIDUALS IN HIGHWAY CONSTRUCTION-RELATED SKILLS, E.G., MATH FOR THE TRADES, JOB READINESS, TECHNICAL SKILLS COURSEWORK (CARPENTRY, CONCRETE FLATWORK, BLUEPRINT READING, SITE PLANS, SITE WORK, TOOLS USE, ETC.) AND OSHA 10 HOUR CERTIFICATION, TO PREPARE THEM FOR A CAREER IN THE HIGHWAY CONSTRUCTION TRADES. GRADUATES ARE WELL-TRAINED AND READY TO BECOME PRODUCTIVE ENTRY-LEVEL CONSTRUCTION WORKERS. PLEASE CONTACT THE DISTRICT 8 EEO OFFICE AT 618-346-3360 AND/OR THE HCCTP COORDINATOR AT 618-874-6528 TO LEARN MORE ABOUT THE PROGRAM AND FOR ASSISTANCE IN MEETING WORKFORCE AND TRAINEE GOALS.
- THE CONTRACTOR SHALL EXERCISE CAUTION TO NOT DAMAGE DETECTOR LOOPS OR LEAD-IN WIRES. ANY DAMAGE SHALL BE REPAIRED AT THE CONTRACTOR'S EXPENSE. NO ADDITIONAL COMPENSATION WILL BE ALLOWED.

COMMITMENTS

NONE

MODEL: Default
 FILE: \\nls1c1-p1\pub\lroom\data\illinois.gov\PWIDOT\Documents\DOT_Offices\District 8\Projects\076N23\CADD\ata\CAD\sheet\076N23-shc-genote.dgn

* FAP 594/FAU 9213

** MADISON & ST. CLAIR

USER NAME = freimuthpd DESIGNED - DRAWN - PLOT SCALE = 100.0000' / in. PLOT DATE = 10/24/2019	DESIGNED -	REVISED -	STATE OF ILLINOIS DEPARTMENT OF TRANSPORTATION	INDEX OF SHEETS, STANDARDS, GENERAL NOTES & COMMITMENTS	RTE.	SECTION	COUNTY	TOTAL SHEETS	SHEET NO.
	DRAWN -	REVISED -			*	(580,581)PP-1	**	10	2
	CHECKED -	REVISED -			CONTRACT NO. 76N23				
	DATE -	REVISED -			SCALE:	SHEET 1 OF 1 SHEETS	STA.	TO STA.	ILLINOIS

MODEL: Default
 FILE: \\nrcs-pkgs\planroom\dat\illinois.gov\PWIDOT\Documents\DOT_Offices\Ibirtct @Projects\076N23\CADD\DATA\CAD\Sheet\076N23-sh-500.dgn

CODE NO.	ITEM	UNIT	100% STATE TOTAL QUANTITY	CONSTRUCTION CODE		
				IL 203 MADISON ROADWAY	IL 203 ST CLAIR ROADWAY	COLLINSVILLE RD ST CLAIR ROADWAY
				0006 URBAN	0006 URBAN	0006 URBAN
44200050	WELDED WIRE REINFORCEMENT	SQ YD	183	16	167	0
44201007	CLASS B PATCHES, TYPE II,13 INCH	SQ YD	440	75	293	72
44201011	CLASS B PATCHES, TYPE III, 13 INCH	SQ YD	101	16	85	0
44201013	CLASS B PATCHES, TYPE IV,13 INCH	SQ YD	82	0	82	0
44201299	DOWEL BARS 1 1/2"	EACH	1212	180	852	180
44213200	SAW CUTS	FOOT	3000	460	2108	432
44213204	TIE BARS 3/4"	EACH	14	0	14	0
67100100	MOBILIZATION	L SUM	1	0.2	0.6	0.2
70100320	TRAFFIC CONTROL AND PROTECTION, STANDARD 701422	L SUM	1	0.3	0.7	0
70100825	TRAFFIC CONTROL AND PROTECTION, STANDARD 701456	L SUM	1	0.3	0.7	0
70102620	TRAFFIC CONTROL AND PROTECTION, STANDARD 701501	L SUM	1	0.3	0.7	0
70102625	TRAFFIC CONTROL AND PROTECTION, STANDARD 701606	L SUM	1	0	0	1
70102634	TRAFFIC CONTROL AND PROTECTION, STANDARD 701611	L SUM	1	0	0	1
70102635	TRAFFIC CONTROL AND PROTECTION, STANDARD 701701	L SUM	1	0.3	0.7	0
70200100	NIGHTTIME WORK ZONE LIGHTING	L SUM	1	0.2	0.6	0.2

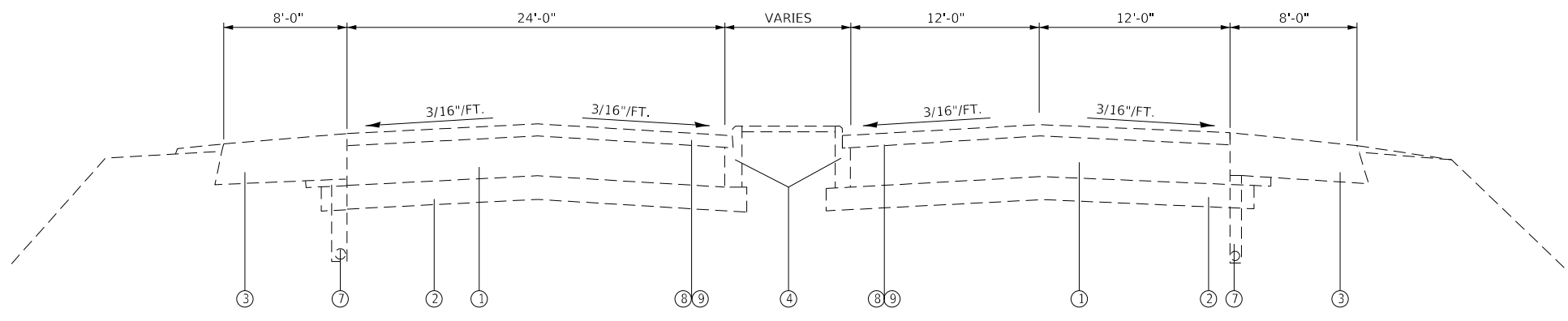
* FAP 594/FAU 9213 ** MADISON & ST. CLAIR

RTE.	SECTION	COUNTY	TOTAL SHEETS	SHEET NO.
*	(580,581)PP-1	**	10	3
CONTRACT NO. 76N23				
			ILLINOIS	FED. AID PROJECT

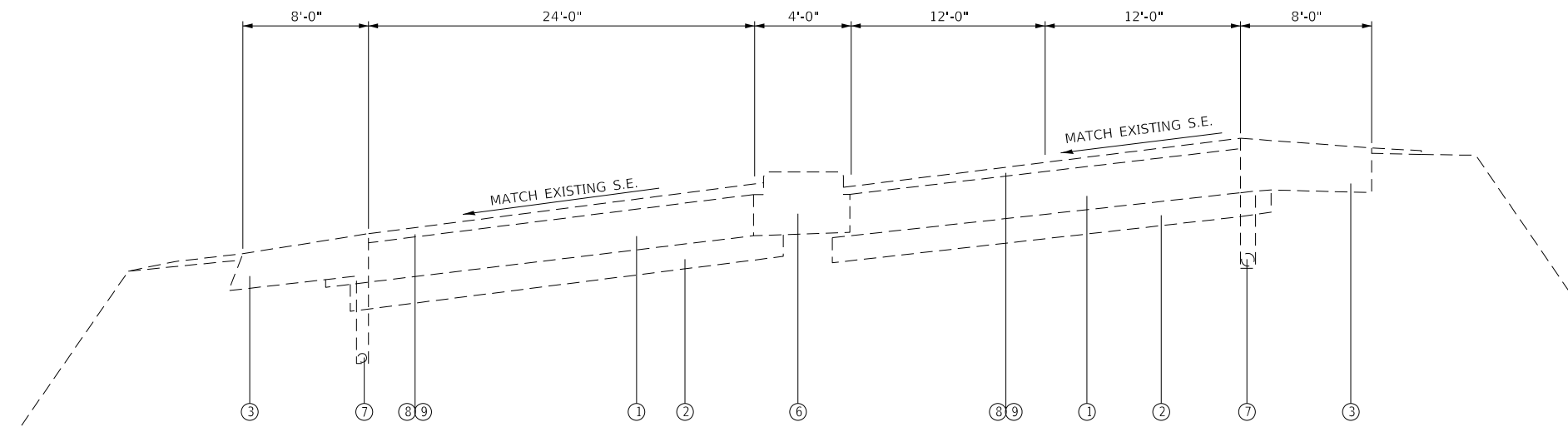
USER NAME = freimuthpd	DESIGNED -	REVISED -
	DRAWN -	REVISED -
PLOT SCALE = 100.0000 ' / in.	CHECKED -	REVISED -
PLOT DATE = 10/24/2019	DATE -	REVISED -

STATE OF ILLINOIS
DEPARTMENT OF TRANSPORTATION

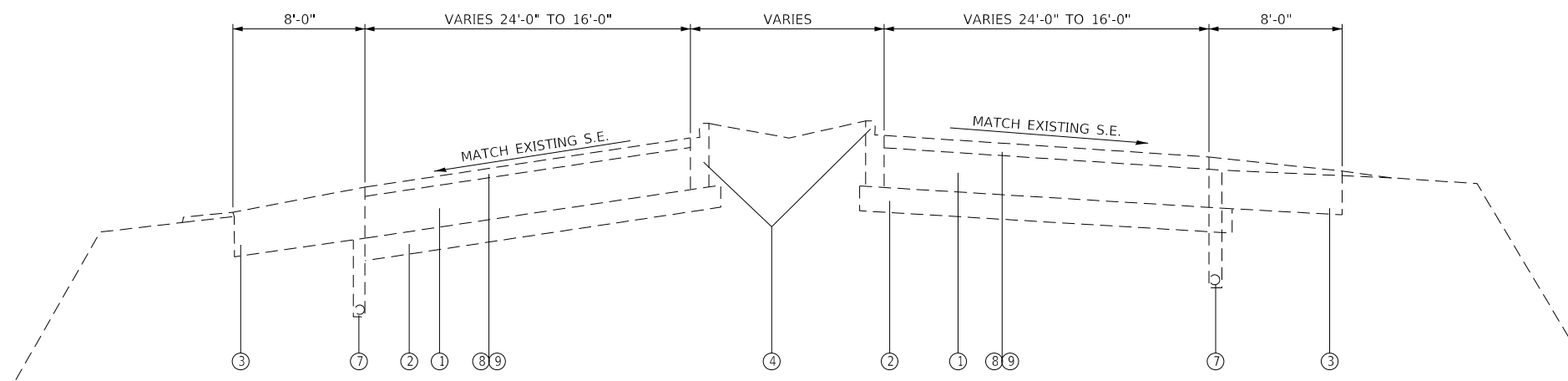
SUMMARY OF QUANTITIES			
SCALE:	SHEET 1	OF 1 SHEETS	STA. TO STA.



TYPICAL SECTION
STA. 2+08 TO STA. 3+98



TYPICAL SECTION
STA. 3+98 TO STA. 13+58



TYPICAL SECTION
STA. 16+36 TO STA. 20+80

LEGEND

- ① EXISTING 10" PCC PAVEMENT
- ② EXISTING 6" SUB-BASE GRANULAR MATERIAL
- ③ EXISTING BITUMINOUS SHOULDERS
- ④ EXISTING CONCRETE CURB & GUTTER, M-6.24
- ⑤ EXISTING CONCRETE CURB, 8"
- ⑥ EXISTING CONCRETE MEDIAN
- ⑦ EXISTING PIPE UNDERDRAINS
- ⑧ EXISTING HOT MIX ASPHALT LEVEL BINDER, $\frac{3}{4}$ "
- ⑨ EXISTING HOT MIX ASPHALT SURFACE COURSE, $1\frac{1}{2}$ "
- ⑩ EXISTING AGGREGATE SHOULDER

MODEL: Default
 FILE: \\nrc\p\uplanroom\dat\illinois.gov\PIUIDOT\Documents\DOT_Offices\Distrc\B\Projects\076N23\CADD\ataCAD\pieces\076N23-shc1\typsect.dgn

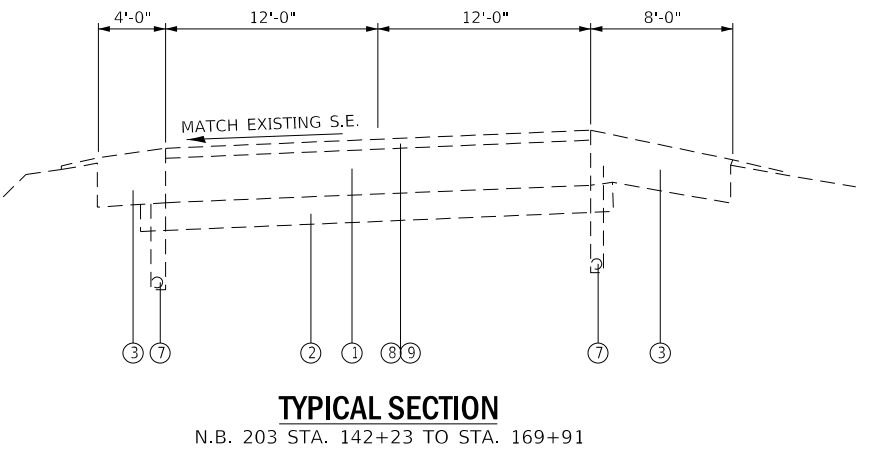
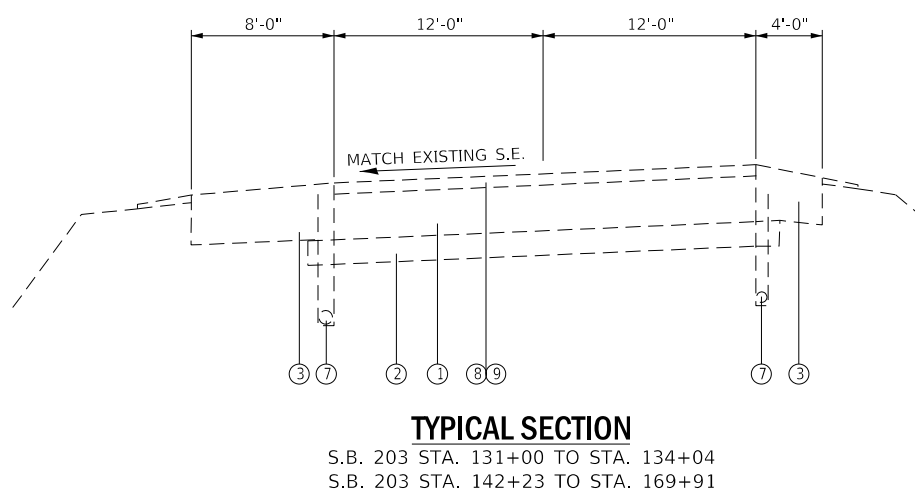
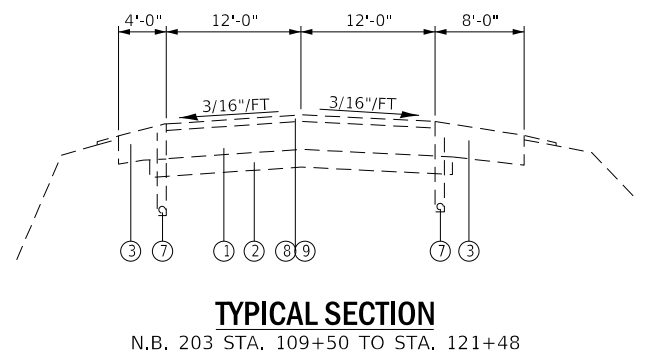
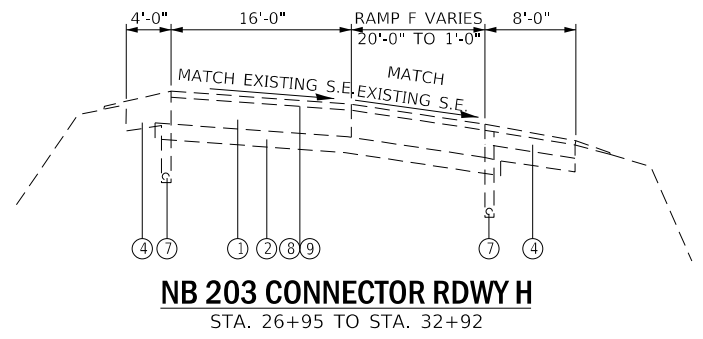
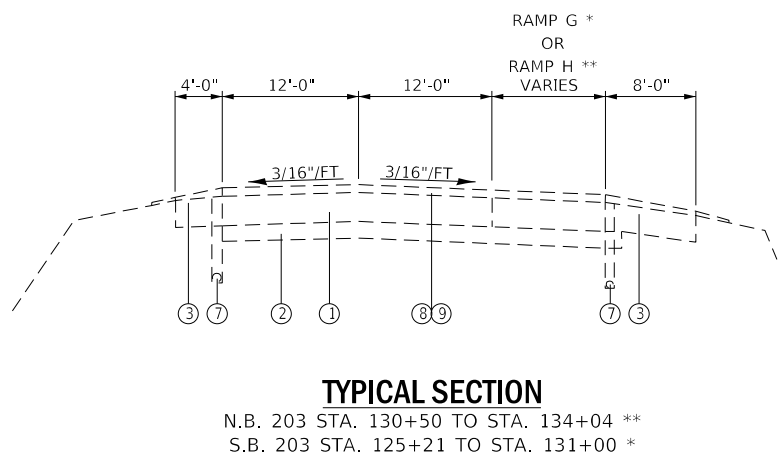
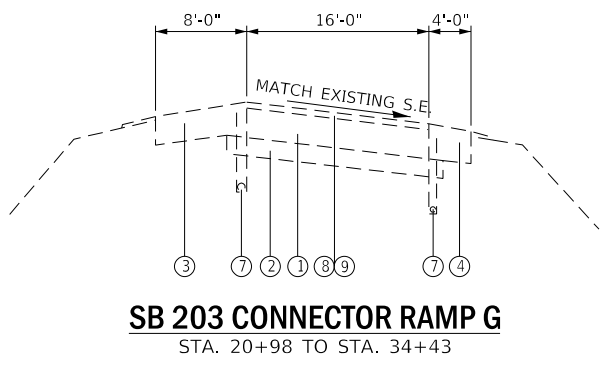
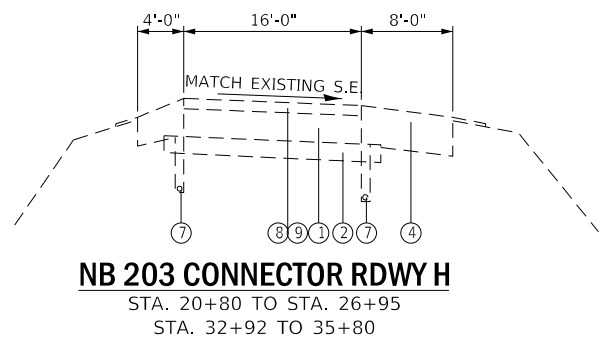
USER NAME = freimthpd	DESIGNED -	REVISED -
	DRAWN -	REVISED -
PLOT SCALE = 20.0000' / in.	CHECKED -	REVISED -
PLOT DATE = 10/24/2019	DATE -	REVISED -

**STATE OF ILLINOIS
DEPARTMENT OF TRANSPORTATION**

TYPICAL SECTIONS			RTE.	SECTION	COUNTY	TOTAL SHEETS	SHEET NO.
SCALE:	SHEET 1	OF 4 SHEETS	STA.	TO STA.	ILLINOIS	FED. AID PROJECT	
					**	10	4
					CONTRACT NO. 76N23		

* FAP 594/FAU 9213

** MADISON & ST. CLAIR



LEGEND

- ① EXISTING 10" PCC PAVEMENT
- ② EXISTING 6" SUB-BASE GRANULAR MATERIAL
- ③ EXISTING BITUMINOUS SHOULDERS
- ④ EXISTING CONCRETE CURB & GUTTER, M-6.24
- ⑤ EXISTING CONCRETE CURB, 8"
- ⑥ EXISTING CONCRETE MEDIAN
- ⑦ EXISTING PIPE UNDERDRAINS
- ⑧ EXISTING HOT MIX ASPHALT LEVEL BINDER, 3/4"
- ⑨ EXISTING HOT MIX ASPHALT SURFACE COURSE, 1 1/2"
- ⑩ EXISTING AGGREGATE SHOULDER

**STATE OF ILLINOIS
DEPARTMENT OF TRANSPORTATION**

TYPICAL SECTIONS

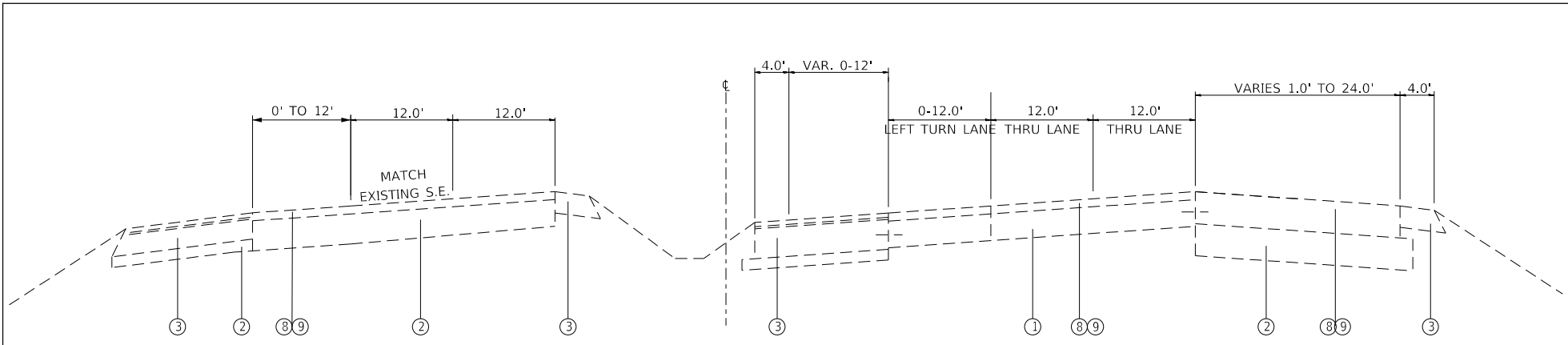
USER NAME = freimuthpd	DESIGNED -	REVISED -
	DRAWN -	REVISED -
PLOT SCALE = 20.0000' / in.	CHECKED -	REVISED -
PLOT DATE = 10/24/2019	DATE -	REVISED -

SCALE: SHEET 2 OF 4 SHEETS STA. TO STA.

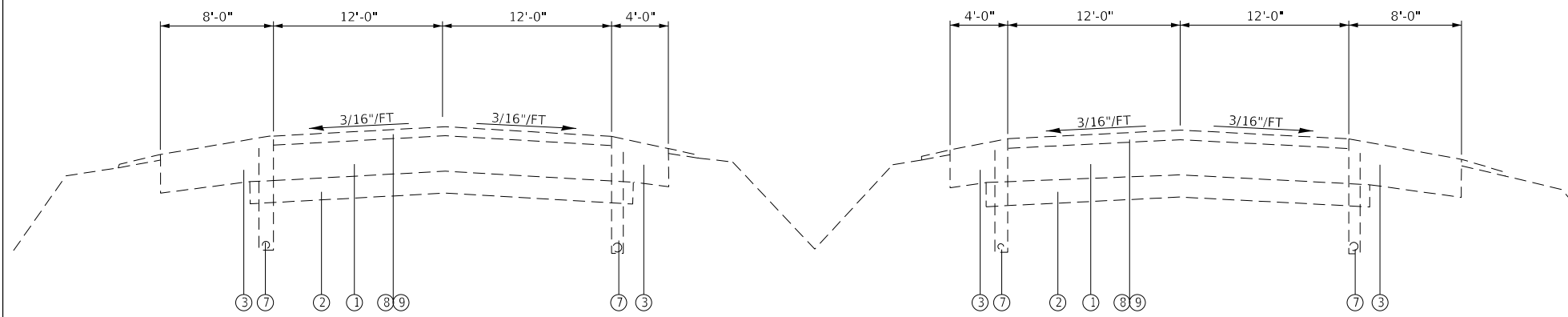
RTE.	SECTION	COUNTY	TOTAL SHEETS	SHEET NO.
*	(580,581)PP-1	**	10	5
CONTRACT NO. 76N23				
ILLINOIS			FED. AID PROJECT	

* FAP 594/FAU 9213 ** MADISON & ST. CLAIR

MODEL: Default
 FILE: \\nrc-pix1plunroom.dta\illinois.gov\PROJECTS\DOT Documents\DOT Offices\Irtfct. @ Projects\076N23\CADD\Drawings\076N23-shc-typlc1.dgn

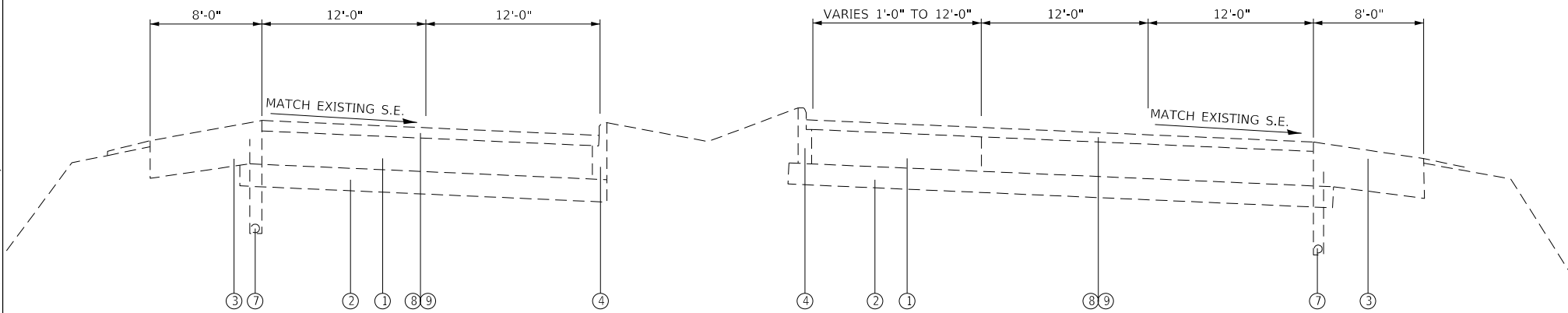


TYPICAL SECTION
STA. 134+04 TO STA. 142+23



TYPICAL SECTION
S.B. STA. 169+91 TO STA. 182+73

TYPICAL SECTION
N.B. STA. 169+91 TO STA. 183+50



TYPICAL SECTION
S.B. STA. 182+73 TO STA. 188+75

TYPICAL SECTION
N.B. STA. 183+50 TO STA. 188+75

LEGEND

- ① EXISTING 10" PCC PAVEMENT
- ② EXISTING 6" SUB-BASE GRANULAR MATERIAL
- ③ EXISTING BITUMINOUS SHOULDERS
- ④ EXISTING CONCRETE CURB & GUTTER, M-6.24
- ⑤ EXISTING CONCRETE CURB, 8"
- ⑥ EXISTING CONCRETE MEDIAN
- ⑦ EXISTING PIPE UNDERDRAINS
- ⑧ EXISTING HOT MIX ASPHALT LEVEL BINDER, 3/4"
- ⑨ EXISTING HOT MIX ASPHALT SURFACE COURSE, 1 1/2"
- ⑩ EXISTING AGGREGATE SHOULDER

MODEL: Default
 FILE: \\nrcp_pis\pub\room.d\at\illinois.gov\PI\DOT\Documents\DOT_Offices\Illin\DOT_0\Projects\076N23\CADD\Drawings\076N23-shc\typical.dgn

* FAP 594/FAU 9213 ** MADISON & ST. CLAIR

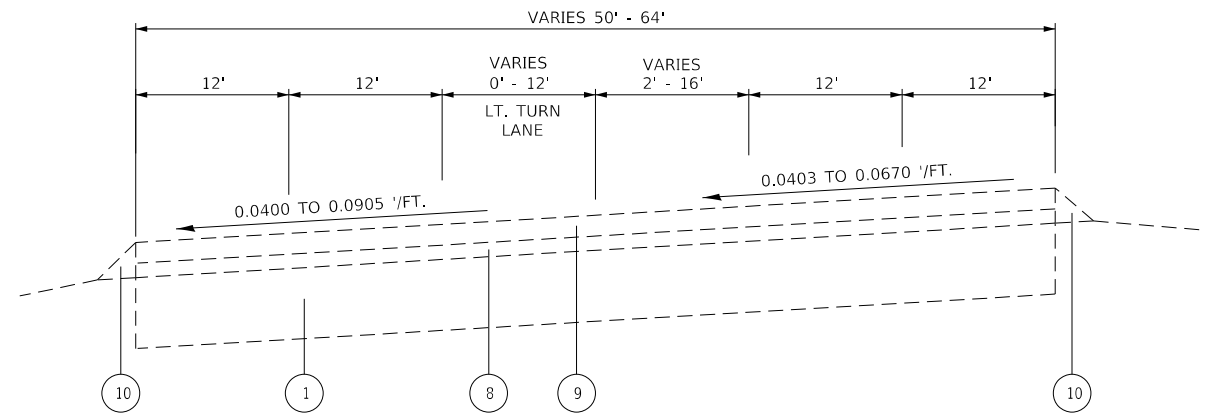
USER NAME = freimthpd	DESIGNED -	REVISED -
	DRAWN -	REVISED -
PLOT SCALE = 20.0000' / in.	CHECKED -	REVISED -
PLOT DATE = 10/24/2019	DATE -	REVISED -

**STATE OF ILLINOIS
DEPARTMENT OF TRANSPORTATION**

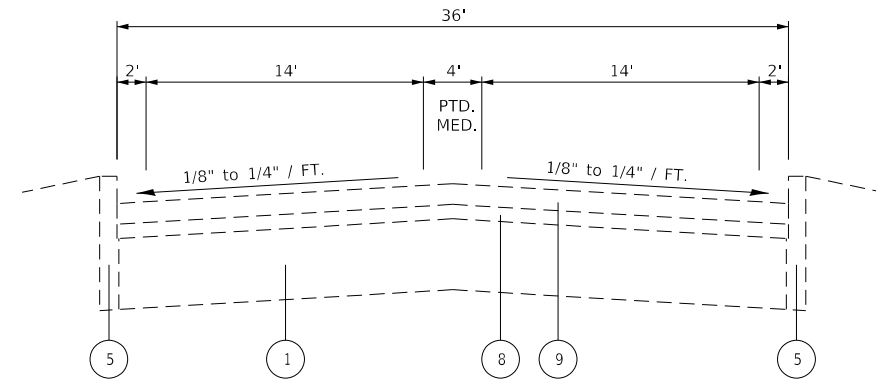
TYPICAL SECTIONS

SCALE: SHEET 3 OF 4 SHEETS STA. TO STA.

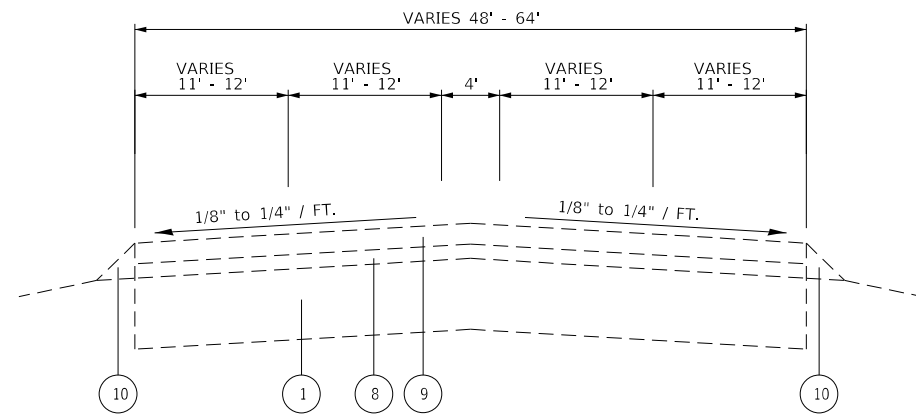
RTE.	SECTION	COUNTY	TOTAL SHEETS	SHEET NO.
*	(580,581)PP-1	**	10	6
CONTRACT NO. 76N23				
			ILLINOIS	FED. AID PROJECT



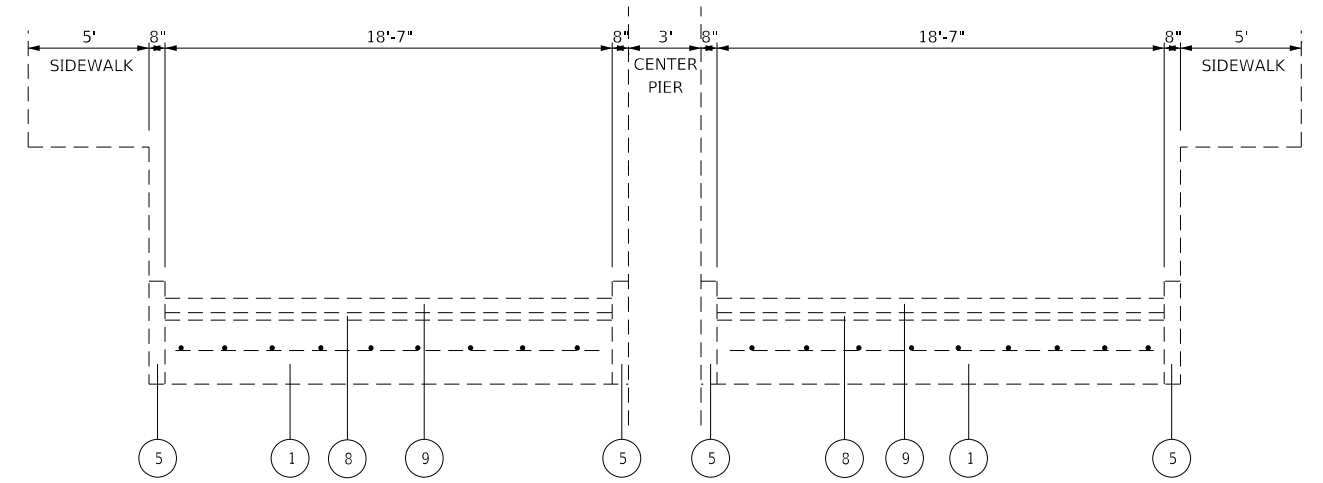
TYPICAL SECTION
STA. 0+00 TO STA. 12+55
(SUPERELEVATED)



TYPICAL SECTION
STA. 19+95 TO STA. 29+21
STA. 32+67 TO STA. 37+59



TYPICAL SECTION
STA. 12+55 TO STA. 19+95



TYPICAL SECTION
STA. 29+21 TO STA. 32+67

LEGEND

- ① EXISTING 10" PCC PAVEMENT
- ② EXISTING 6" SUB-BASE GRANULAR MATERIAL
- ③ EXISTING BITUMINOUS SHOULDERS
- ④ EXISTING CONCRETE CURB & GUTTER, M-6.24
- ⑤ EXISTING CONCRETE CURB, 8"
- ⑥ EXISTING CONCRETE MEDIAN
- ⑦ EXISTING PIPE UNDERDRAINS
- ⑧ EXISTING HOT MIX ASPHALT LEVEL BINDER, 3/4"
- ⑨ EXISTING HOT MIX ASPHALT SURFACE COURSE, 1 1/2"
- ⑩ EXISTING AGGREGATE SHOULDER

MODEL: Default
 FILE: \\nrc-pc1\pub\room.d\at\illinois.gov\PI\DOT\Documents\DOT_Offices\IDart\c\Projects\076N23\CADD\ata\CAD\pieces\076N23-shc1\typical.dgn

* FAP 594/FAU 9213

** MADISON & ST. CLAIR

USER NAME = freimuthpd	DESIGNED -	REVISED -
	DRAWN -	REVISED -
PLOT SCALE = 20.0000 ' / in.	CHECKED -	REVISED -
PLOT DATE = 10/24/2019	DATE -	REVISED -

**STATE OF ILLINOIS
DEPARTMENT OF TRANSPORTATION**

TYPICAL SECTIONS

SCALE: SHEET 4 OF 4 SHEETS STA. TO STA.

RTE.	SECTION	COUNTY	TOTAL SHEETS	SHEET NO.
*	(580,581)PP-1	**	10	7
CONTRACT NO. 76N23				
ILLINOIS FED. AID PROJECT				

CLASS B PATCHING 13" SCHEDULE

LOCATION			LENGTH	WIDTH	QUANTITY	TYPE II	TYPE III	TYPE IV	DOWEL BARS	TIE BARS	WELDED WIRE REINFORCEMENT	SAWCUT
STATION	BOUND	LANE	FT	FT	SQ YD	SQ YD	SQ YD	SQ YD	1 1/2 INCH EACH	3/4 INCH EACH	SQ YD	FT
IL 203												
5+58	NB	1	6	12	8	8			20			48
5+58	NB	2	6	12	8	8			20			48
6+18	SB	2	8	12	11	11			20			52
6+58	SB	2	6	12	8	8			20			48
7+33	NB	1	6	12	8	8			20			48
7+33	NB	2	6	12	8	8			20			48
7+93	SB	1	8	12	11	11			20			52
7+93	SB	2	8	12	11	11			20			52
9+68	SB	1	6	12	8	8			20			48
9+68	SB	2	6	12	8	8			20			48
10+08	SB	1	10	12	13	13			20			56
10+08	SB	2	6	12	8	8			20			48
10+88	SB	1	6	12	8	8			20			48
10+88	SB	2	6	12	8	8			20			48
11+38	SB	1	10	12	13	13			20			56
11+38	SB	2	10	12	13	13			20			56
11+58	SB	1	6	12	8	8			20			48
23+28	SB	RAMP G	6	16	11	11			28			60
23+78	SB	RAMP G	6	16	11	11			28			60
24+83	SB	RAMP G	6	16	11	11			28			60
25+28	SB	RAMP G	6	16	11	11			28			60
27+68	SB	RAMP G	30	16	53			53	28	14	53	108
29+28	SB	RAMP G	6	16	11	11			28			60
29+73	SB	RAMP G	6	16	11	11			28			60
30+58	NB	1	6	16	11	11			28			60
31+28	SB	RAMP G	6	16	11	11			28			60
31+43	SB	RAMP G	6	16	11	11			28			60
31+68	NB	1	6	16	11	11			28			60
32+48	NB	1	6	16	11	11			28			60
34+03	NB	1	16	16	28			28	28		28	80
36+58	SB	RAMP G	12	16	21		21		28		21	72
139+25	SB	1	12	12	16		16		20		16	60
139+25	SB	2	12	12	16		16		20		16	60
139+95	SB	1	6	12	8		8		20			48
153+45	SB	1	12	12	16		16		20		16	60
153+45	SB	2	12	12	16		16		20		16	60
154+70	NB	1	6	12	8		8		20			48
IL 203 SUBTOTAL (ST CLAIR)						293	85	82	852	14	167	2108
169+75	SB	2	10	12	13	13			20			56
176+48	SB	1	10	12	13	13			20			56
177+65	SB	1	6	12	8	8			20			48
178+35	SB	2	6	12	8	8			20			48
180+25	SB	2	12	12	16		16		20		16	60
180+68	SB	1	6	12	8	8			20			48
181+49	SB	2	6	12	8	8			20			48
184+30	SB	1	6	12	8	8			20			48
185+59	SB	1	6	12	8	8			20			48
IL 203 SUBTOTAL (MADISON)						75	16	0	180	0	16	460
COLLINSVILLE RD / 9TH ST												
2+80	WB	1	6	12	8	8			20			48
20+70	WB	1	6	12	8	8			20			48
27+65	WB	1	6	12	8	8			20			48
32+40	WB	1	6	12	8	8			20			48
37+19	EB	1	6	12	8	8			20			48
36+94	EB	1	6	12	8	8			20			48
36+69	EB	1	6	12	8	8			20			48
36+49	EB	1	6	12	8	8			20			48
33+54	EB	1	6	12	8	8			20			48
COLLINSVILLE RD / 9TH ST SUBTOTAL (ST CLAIR)						72	0	0	180	0	0	432
TOTAL						440	101	82	1212	14	183	3000

MODEL: Default
FILE: \\nrc\p\lhamroom.d\illinois.gov\RWIDOT\Documents\DOT_Offices\Illin\ct 8\Projects\0876N23\CADD\ata\CAD\Inches\0876N23-shc-schedule.dgn

* FAP 594/FAU 9213

** MADISON & ST. CLAIR

USER NAME = freimthpd	DESIGNED -	REVISED -
	DRAWN -	REVISED -
PLOT SCALE = 100.0000' / in.	CHECKED -	REVISED -
PLOT DATE = 10/24/2019	DATE -	REVISED -

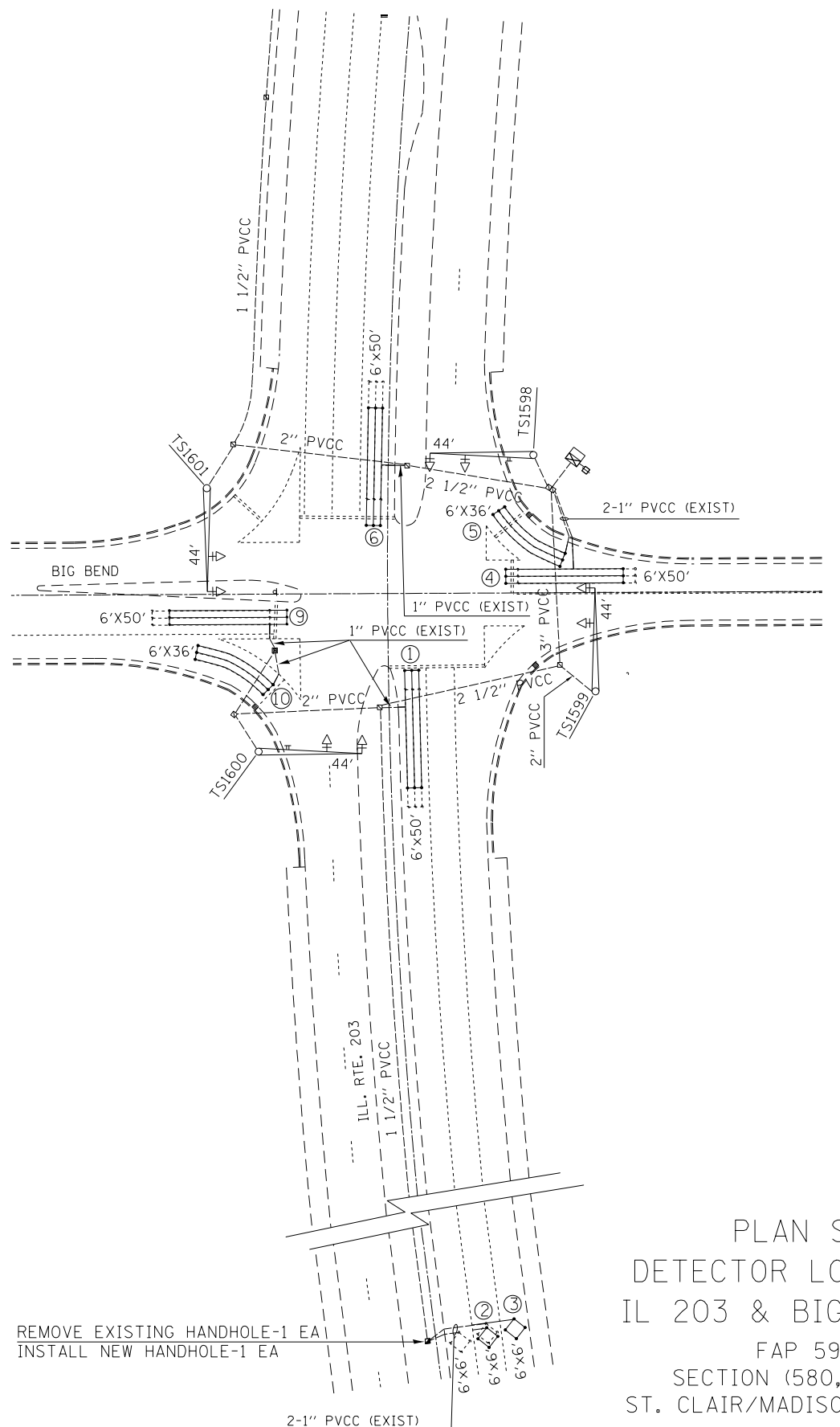
**STATE OF ILLINOIS
DEPARTMENT OF TRANSPORTATION**

SCHEDULES OF QUANTITIES

SCALE: SHEET 1 OF 1 SHEETS STA. TO STA.

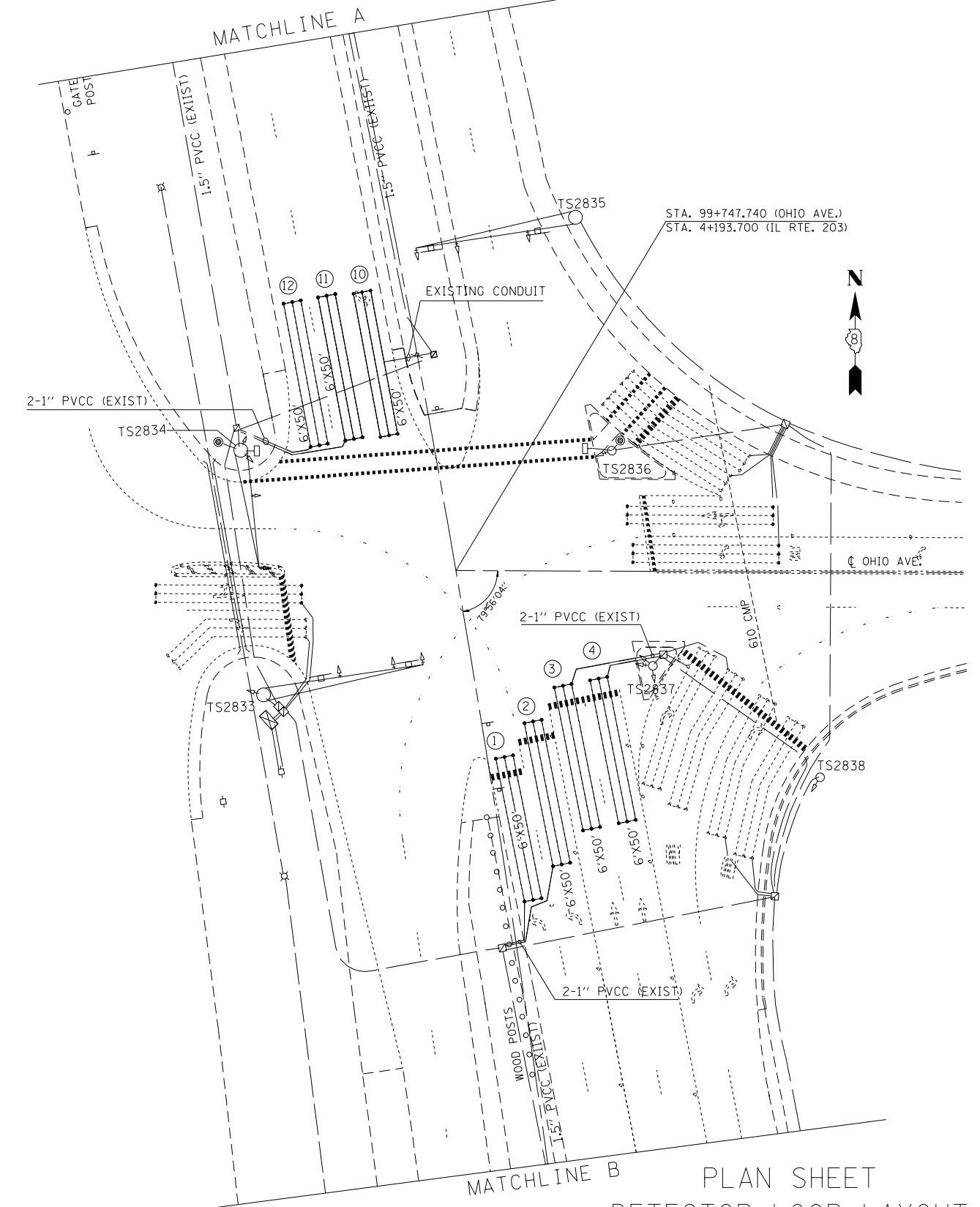
RTE.	SECTION	COUNTY	TOTAL SHEETS	SHEET NO.
*	(580,581)PP-1	**	10	8
CONTRACT NO. 76N23				
ILLINOIS		FED. AID PROJECT		

MODEL: Default
 FILE: Madisn_PlanSheetRoom.dwg
 PROJECT: 0776023_CADDData\CADDPlans\0776023-shc-details.dgn



PLAN SHEET
 DETECTOR LOOP LAYOUT
 IL 203 & BIG BEND RD.
 FAP 594
 SECTION (580,581)RS-1
 ST. CLAIR/MADISON COUNTIES

FOR INFORMATION USE ONLY



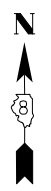
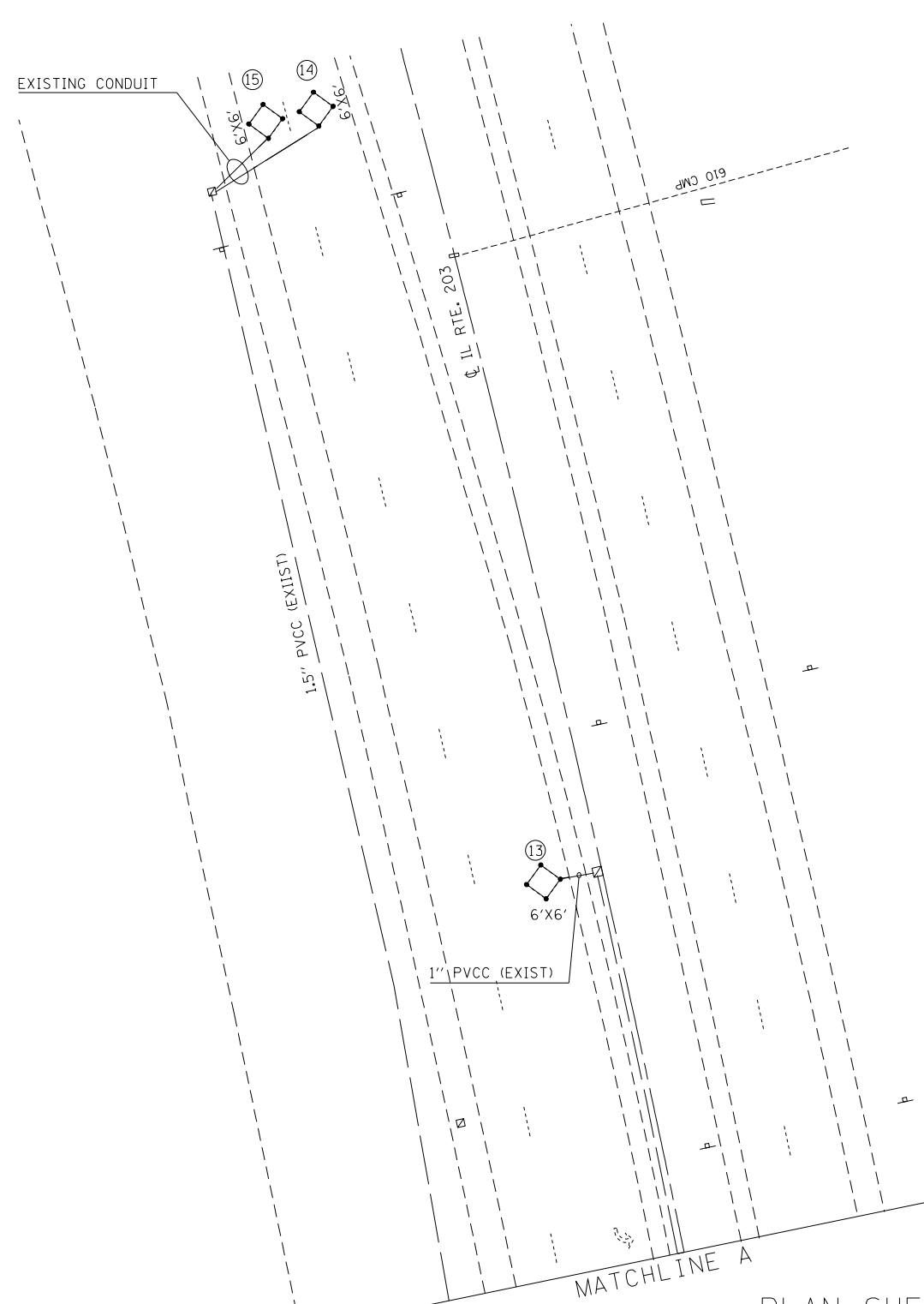
PLAN SHEET
 DETECTOR LOOP LAYOUT
 IL 203 AND OHIO AVE.
 FAP 594
 SECTION (580,581)RS-1
 ST. CLAIR/MADISON COUNTIES
 * FAP 594/FAU 9213 ** MADISON & ST. CLAIR

USER NAME = freimuthpd	DESIGNED -	REVISED -
DRAWN -	REVISED -	REVISED -
PLOT SCALE = 20.0000 "/td> <td>CHECKED -</td> <td>REVISED -</td>	CHECKED -	REVISED -
PLOT DATE = 10/24/2019	DATE -	REVISED -

STATE OF ILLINOIS
 DEPARTMENT OF TRANSPORTATION

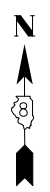
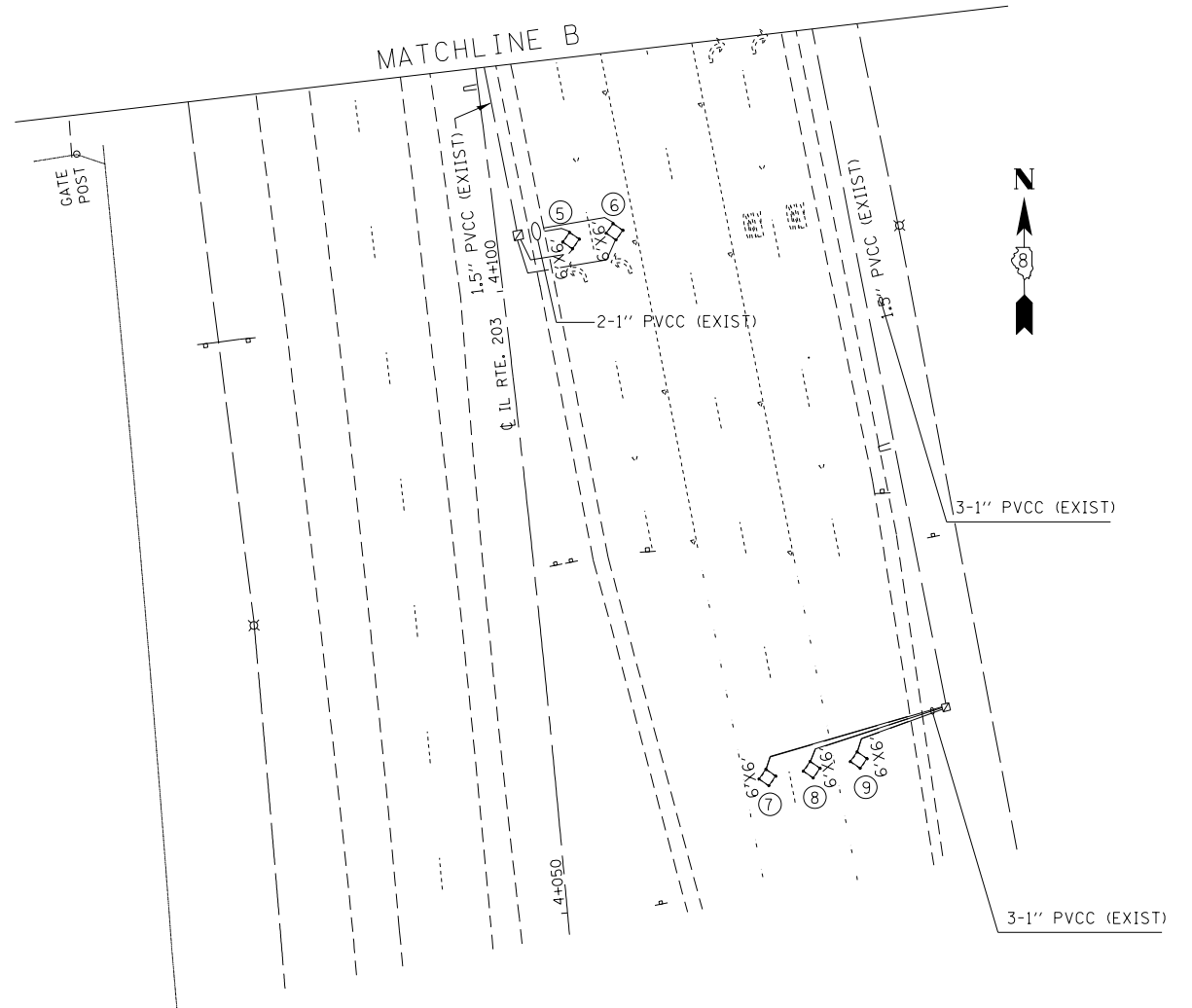
EXISTING DETECTOR LOOP DETAILS (FROM CONTRACT NO. 76B64)	
SCALE:	SHEET 1 OF 2 SHEETS
STA.	TO STA.

RTE.	SECTION	COUNTY	TOTAL SHEETS	SHEET NO.
**	(580,581)PP-1	**	10	9
CONTRACT NO. 76N23				
ILLINOIS		FED. AID PROJECT		



PLAN SHEET
 DETECTOR LOOP LAYOUT
 IL 203 AND OHIO AVE.
 FAP 594
 SECTION (580,581)RS-1
 ST. CLAIR/MADISON COUNTIES

FOR INFORMATION USE ONLY



PLAN SHEET
 DETECTOR LOOP LAYOUT
 IL 203 AND OHIO AVE.
 FAP 594
 SECTION (580,581)RS-1
 ST. CLAIR/MADISON COUNTIES

MODEL: Default
 FILE: \\na1c1p1\pub\lanroom.dwg
 PROJECT: \\na1c1p1\pub\lanroom.dwg
 DATE: 10/24/2019

USER NAME = freimuthpd	DESIGNED -	REVISED -
PLOT SCALE = 20.0000 ' / in.	CHECKED -	REVISED -
PLOT DATE = 10/24/2019	DATE -	REVISED -

**STATE OF ILLINOIS
 DEPARTMENT OF TRANSPORTATION**

**EXISTING DETECTOR LOOP DETAILS
 (FROM CONTRACT NO. 76B64)**

SCALE: SHEET 2 OF 2 SHEETS STA. TO STA.

* FAP 594/FAU 9213		** MADISON & ST. CLAIR	
RTE.	SECTION	COUNTY	TOTAL SHEETS
8	(580,581)PP-1	**	10
			SHEET NO. 10
CONTRACT NO. 76N23			
		ILLINOIS	FED. AID PROJECT