

067

FAU RTE.	SECTION	COUNTY	TOTAL SHEETS	SHEET NO.
9379	248PP-1	ST. CLAIR	7	1
ILLINOIS CONTRACT NO. 76N24				

INDEX OF SHEETS

- 1 COVER
- 2 HIGHWAY STANDARDS, GENERAL NOTES, & COMMITMENTS
- 3 SUMMARY OF QUANTITIES
- 4-5 TYPICAL SECTIONS
- 6 SCHEDULE OF QUANTITIES
- 7 EXISTING DETECTOR LOOP DETAILS

STATE OF ILLINOIS
DEPARTMENT OF TRANSPORTATION

**PROPOSED
HIGHWAY PLANS**

**F.A.U. ROUTE 9379 (6TH ST.)
SECTION 248PP-1**

**PATCHING-CM
ST. CLAIR COUNTY**

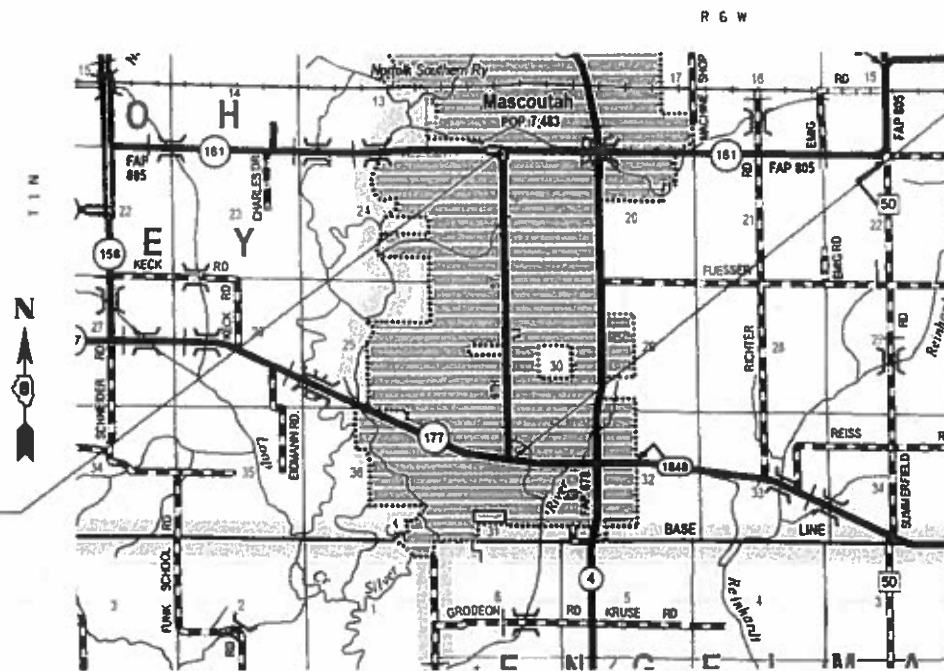
FOR LIST OF HIGHWAY STANDARDS, SEE SHEET NO.2

TRAFFIC DATA

2018 ADT = 3050 (ACTUAL)
2019 ADT = 3100 (ESTIMATED)
2039 ADT = 3800 (ESTIMATED)
SU: 3.6%
MU: 3.6%

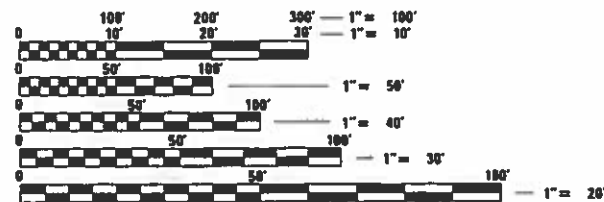


C-98-064-20



BEGIN IMPROVEMENT
STA. 100+41
@ IL-177 & FAU 9379
LAT: 38.49103°N
LONG: 89.30678°W

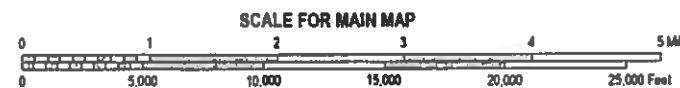
END IMPROVEMENT
STA. 226+67
@ IL-161 & FAU 9379
LAT: 38.52564°N
LONG: 89.80717°W



FULL SIZE PLANS HAVE BEEN PREPARED USING STANDARD ENGINEERING SCALES. REDUCED SIZED PLANS WILL NOT CONFORM TO STANDARD SCALES. IN MAKING MEASUREMENTS ON REDUCED PLANS, THE ABOVE SCALES MAY BE USED.

J.U.L.I.E.
JOINT UTILITY LOCATING INFORMATION FOR EXCAVATORS
1-800-892-0123
OR 811

SCALE



GROSS LENGTH = 12,626 FEET = 2.39 MILES
NET LENGTH = 12,626 FEET = 2.39 MILES

PROJECT ENGINEER: TIM PADGETT (618) 346-3325
PROJECT MANAGER: MESERET SIMA (618) 346-3141

CONTRACT NO. 76N24

STATE OF ILLINOIS
DEPARTMENT OF TRANSPORTATION

SUBMITTED *Oct 7 2019*
Kath Roberts
REGIONAL ENGINEER

Paul P. Chaf
ENGINEER OF DESIGN AND ENVIRONMENT

Paul P. Chaf
DIRECTOR OF HIGHWAYS PROJECT IMPLEMENTATION

**PRINTED BY THE AUTHORITY
OF THE STATE OF ILLINOIS**

HIGHWAY STANDARDS

000001-07	STANDARD SYMBOLS, ABBREVIATIONS AND PATTERNS
001006	DECIMAL OF AN INCH AND OF A FOOT
442101-09	CLASS B PATCHES
701201-05	LANE CLOSURE, 2L, 2W, DAY ONLY, FOR SPEEDS > 45 MPH
701301-04	LANE CLOSURE, 2L, 2W SHORT TERM OPERATIONS
701336-07	LANE CLOSURE, 2L, 2W WORK AREAS IN SERIES, FOR SPEEDS > 45 MPH
701606-10	URBAN SINGLE LANE CLOSURE, MAULTILANE, 2W WITH MOUNTABLE MEDIAN
701611-01	URBAN HALF ROAD CLOSURE, MULTILANE, 2W WIDTH MOUNTABLE MEDIAN
701901-08	TRAFFIC CONTROL DEVICES

GENERAL NOTES

- ILLINOIS STATE LAW REQUIRES A 48-HOUR NOTICE TO BE GIVEN TO UTILITIES BEFORE DIGGING. FIELD MARKING OF FACILITIES MAY BE OBTAINED BY CONTACTING J.U.L.I.E. (1-800-892-0123 OR 811) OR FOR NON-MEMBERS THE UTILITY COMPANY DIRECTLY.
- THE CONTRACTOR AND THE ENGINEER SHALL BE AWARE THAT NO SURVEY WAS PERFORMED FOR THIS PROJECT, THE STATIONING, TOPOGRAPHY AND QUANTITIES SHOWN ON THESE PLANS WERE CREATED USING MICROFILM AND FIELD MEASUREMENTS. ALL SHALL BE ASSUMED TO BE APPROXIMATE. THE CONTRACTOR SHALL VERIFY DIMENSIONS AND CONDITIONS IN THE FIELD PRIOR TO CONSTRUCTION AND ORDERING OF MATERIALS.
- THE ILLINOIS DEPARTMENT OF TRANSPORTATION STRONGLY ENCOURAGES THE PRIME CONTRACTOR AND THEIR APPROVED SUB-CONTRACTORS TO HIRE MINORITY, WOMEN AND DISADVANTAGED INDIVIDUALS FROM ITS FEDERALLY FUNDED HIGHWAY CONSTRUCTION CAREERS TRAINING PROGRAM (HCCTP) TO HELP MEET WORKFORCE AND TRAINEE GOALS. THIS PROGRAM IS TRAINING MINORITIES, WOMEN AND DISADVANTAGED INDIVIDUALS IN HIGHWAY CONSTRUCTION-RELATED SKILLS, E.G., MATH FOR THE TRADES, JOB READINESS, TECHNICAL SKILLS COURSEWORK (CARPENTRY, CONCRETE FLATWORK, BLUEPRINT READING, SITE PLANS, SITE WORK, TOOLS USE, ETC.) AND OSHA 10 HOUR CERTIFICATION, TO PREPARE THEM FOR A CAREER IN THE HIGHWAY CONSTRUCTION TRADES. GRADUATES ARE WELL-TRAINED AND READY TO BECOME PRODUCTIVE ENTRY-LEVEL CONSTRUCTION WORKERS. PLEASE CONTACT THE DISTRICT 8 EEO OFFICE AT 618-346-3360 AND/OR THE HCCTP COORDINATOR AT 618-874-6528 TO LEARN MORE ABOUT THE PROGRAM AND FOR ASSISTANCE IN MEETING WORKFORCE AND TRAINEE GOALS.
- NO OVERNIGHT LANE CLOSURES WILL BE PERMITTED.
- FLAGGERS SHALL BE REQUIRED AT ALL TIMES DURING PATCHING OPERATIONS.
- HIGH EARLY STRENGTH CONCRETE FOR PAVEMENT PATCHING WILL BE ALLOWED.
- THE CONTRACTOR SHALL EXERCISE CAUTION TO NOT DAMAGE DETECTOR LOOPS OR LEAD-IN WIRES. ANY DAMAGE SHALL BE REPAIRED AT THE CONTRACTOR'S EXPENSE. NO ADDITIONAL COMPENSATION WILL BE ALLOWED.

COMMITMENTS

NONE

FILE NAME =	USER NAME = sjmm	DESIGNED -	REVISED -	STATE OF ILLINOIS DEPARTMENT OF TRANSPORTATION	HIGHWAY STANDARDS, GENERAL NOTES, & COMMITMENTS	F.A.U. RTU.	SECTION	COUNTY	TOTAL SHEETS	SHEET NO.
p:\planroom.dot.illinois.gov\PIDOT\Documents\IDOT Offices\District 8\Projects\0876N24\0876N24-CAD\Drawings\0876N24-sht-plan.dgn		CHECKED -	REVISED -			9379	248PP-1	ST. CLAIR	7	2
Default	PLOT SCALE = 100.0000' / 1in.	DATE -	REVISED -			CONTRACT NO. 76N24				
	PLOT DATE = 10/8/2019	DATE -	REVISED -			SCALE:	SHEET 1 OF 1 SHEETS	STA.	TO STA.	ILLINOIS FED. AID PROJECT

CODE NO.	ITEM	UNIT	TOTAL QUANTITY	CONSTR. CODE	
				ROADWAY 0006	URBAN
44201019	CLASS B PATCHES, TYPE II, 14 INCH	SQ YD	607	607	
44201299	DOWEL BARS 1 1/2"	EACH	1357	1357	
44213200	SAW CUTS	FOOT	3322	3322	
67100100	MOBILIZATION	L SUM	1	1	
70100450	TRAFFIC CONTROL AND PROTECTION, STANDARD 701201	L SUM	1	1	
70100600	TRAFFIC CONTROL AND PROTECTION, STANDARD 701336	L SUM	1	1	
70102625	TRAFFIC CONTROL AND PROTECTION, STANDARD 701606	L SUM	1	1	
70102634	TRAFFIC CONTROL AND PROTECTION, STANDARD 701611	L SUM	1	1	

100%
STATE

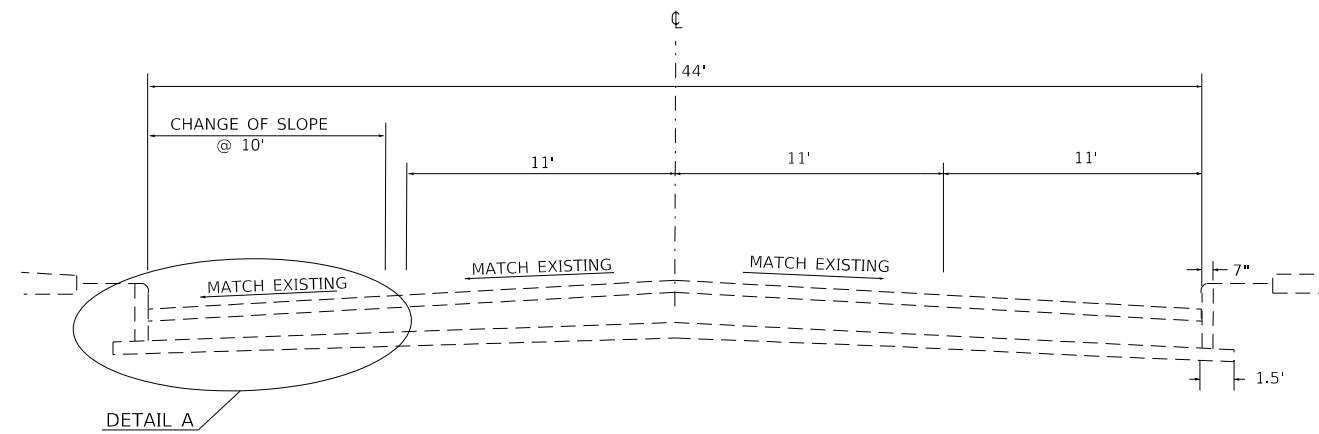
FILE NAME =	USER NAME = sjmm	DESIGNED -	REVISED -
p:\planroom.dot\illinois.gov\PIDOT\Documents\IDOT Offices\District 8\Projects\0876N24\Drawings\CADsheets\0876N24-sht-plan.dgn		CHECKED -	REVISED -
Default	PLOT DATE = 10/8/2019	DATE -	REVISED -

**STATE OF ILLINOIS
DEPARTMENT OF TRANSPORTATION**

SUMMARY OF QUANTITIES

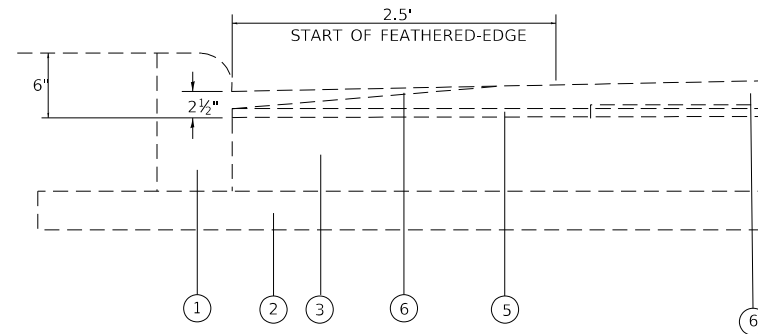
SCALE: SHEET 1 OF 1 SHEETS STA. TO STA.

F.A.U. RTU.	SECTION	COUNTY	TOTAL SHEETS	SHEET NO.
9379	248PP-1	ST. CLAIR	7	3
CONTRACT NO. 76N24			ILLINOIS FED. AID PROJECT	



LEGEND

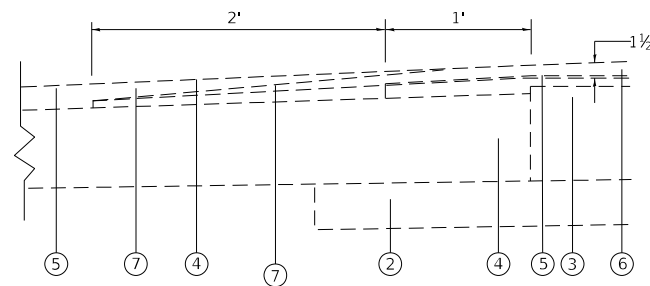
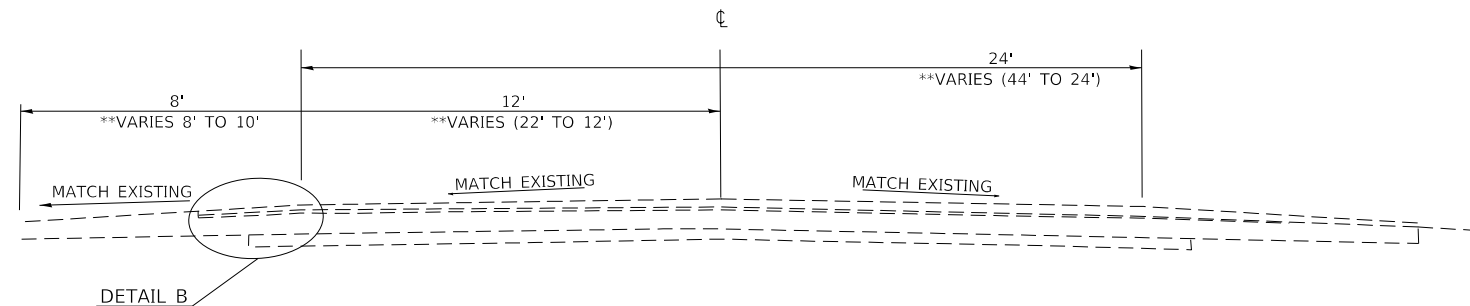
- ① EXISTING CONCRETE CURB
- ② EXISTING STABILIZED SUB BASE, 4"
- ③ EXISTING PORTLAND CEMENT CONCRETE PAVEMENT, 8"
- ④ EXISTING STABILIZED SHOULDER
- ⑤ EXISTING PRIME COAT (BITUMINOUS AND AGGREGATE)
- ⑥ EXISTING HOT-MIX ASPHALT SURFACE COURSE MIX "D", N70 1½"
- ⑦ EXISTING HOT-MIX ASPHALT SHOULDER, 1½"
- ⑧ EXISTING HOT-MIX ASPHALT LEVEL BINDER, ¾"



DETAIL A

EXISTING TYPICAL SECTION

STA. 100+41 TO STA. 133+32

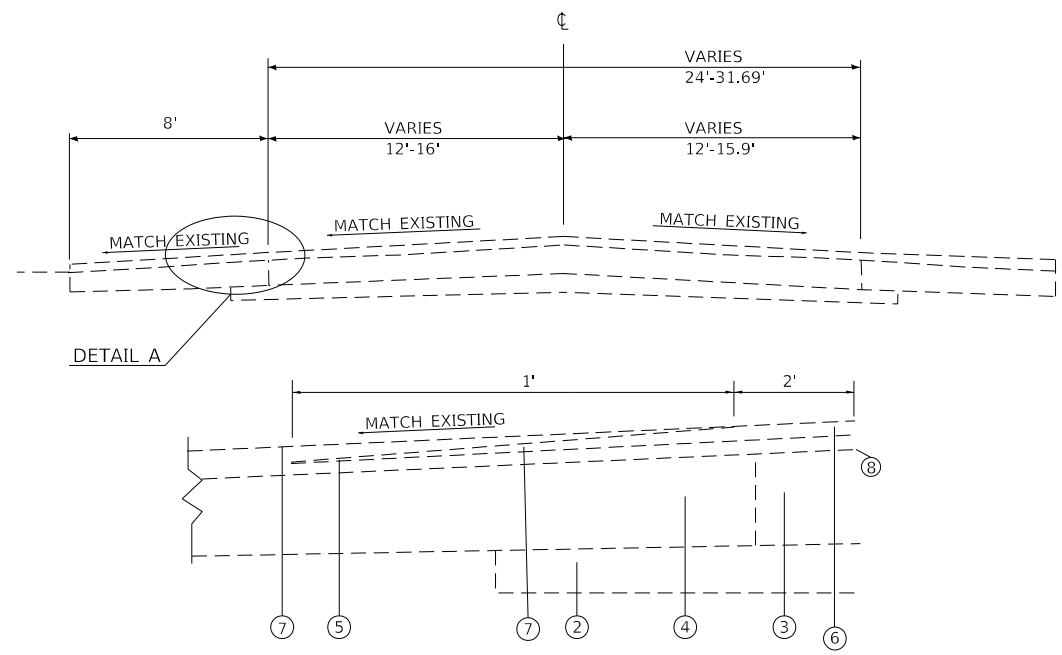


DETAIL B

EXISTING TYPICAL SECTION

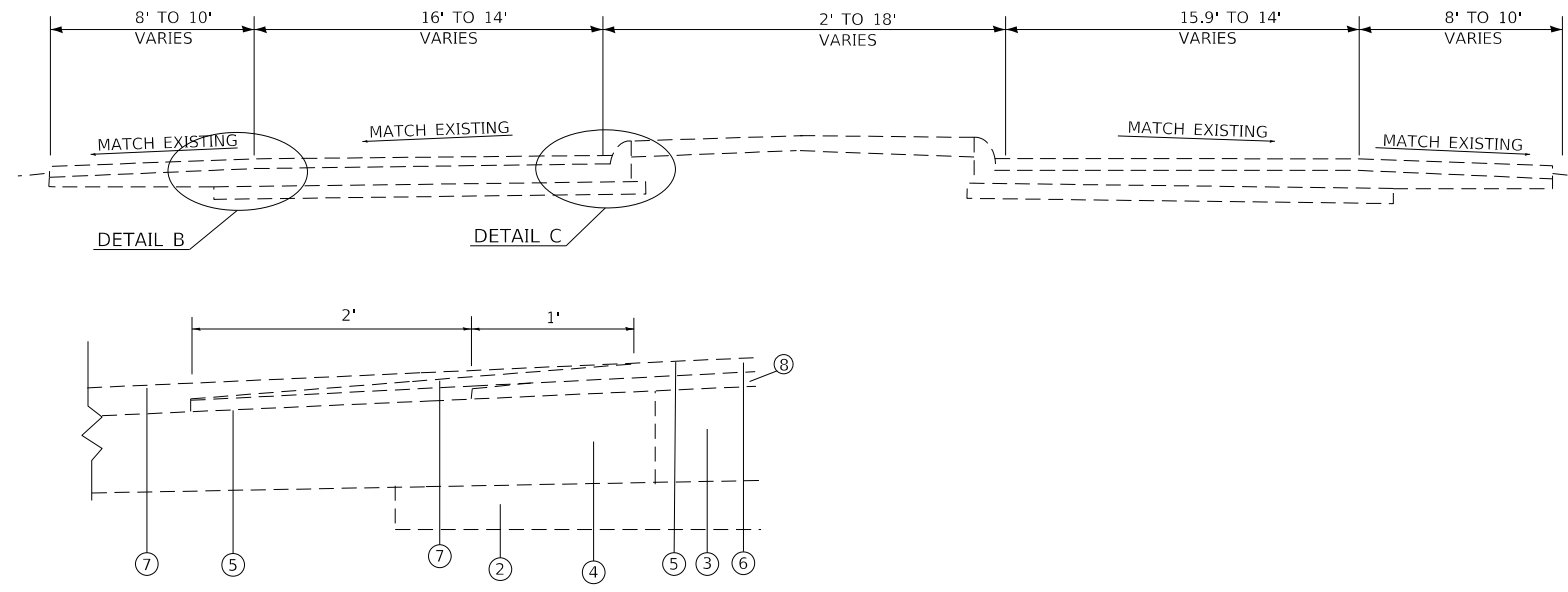
STA. 137+12 TO STA. 147+12
 ** STA. 133+32 TO STA. 137+12

FILE NAME =	USER NAME = sjmam	DESIGNED -	REVISED -	STATE OF ILLINOIS DEPARTMENT OF TRANSPORTATION	TYPICAL SECTIONS			F.A.U. RTU.	SECTION	COUNTY	TOTAL SHEETS	SHEET NO.
pw:\planroom.dot.illinois.gov\PIDOT\Documents\IDOT Offices\District 8\Projects\0876N24\0876N24\CAD\Sheets\0876N24-sht-plan.dgn	CREATED = 10/8/2019	CHECKED -	REVISED -					9379	248PP-1	ST. CLAIR	7	4
Default	PLOT SCALE = 100.0000' / 1"	DATE -	REVISED -		SCALE: SHEET 1 OF 2 SHEETS STA. TO STA.			CONTRACT NO. 76N24				
	PLOT DATE = 10/8/2019							ILLINOIS FED. AID PROJECT				

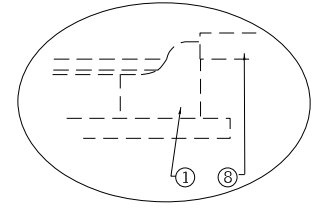


EXISTING TYPICAL SECTION
STA. 147+12 TO STA. 220+88

- LEGEND**
- ① EXISTING CONCRETE CURB
 - ② EXISTING STABILIZED SUB BASE, 4"
 - ③ EXISTING PORTLAND CEMENT CONCRETE PAVEMENT, 8"
 - ④ EXISTING STABILIZED SHOULDER
 - ⑤ EXISTING PRIME COAT (BITUMINOUS AND AGGREGATE)
 - ⑥ EXISTING HOT-MIX ASPHALT SURFACE COURSE MIX "D", N70 1½"
 - ⑦ EXISTING HOT-MIX ASPHALT SHOULDER, 1½"
 - ⑧ EXISTING HOT-MIX ASPHALT LEVEL BINDER, ¾"



EXISTING TYPICAL SECTION
STA 220+88 TO STA. 226+67



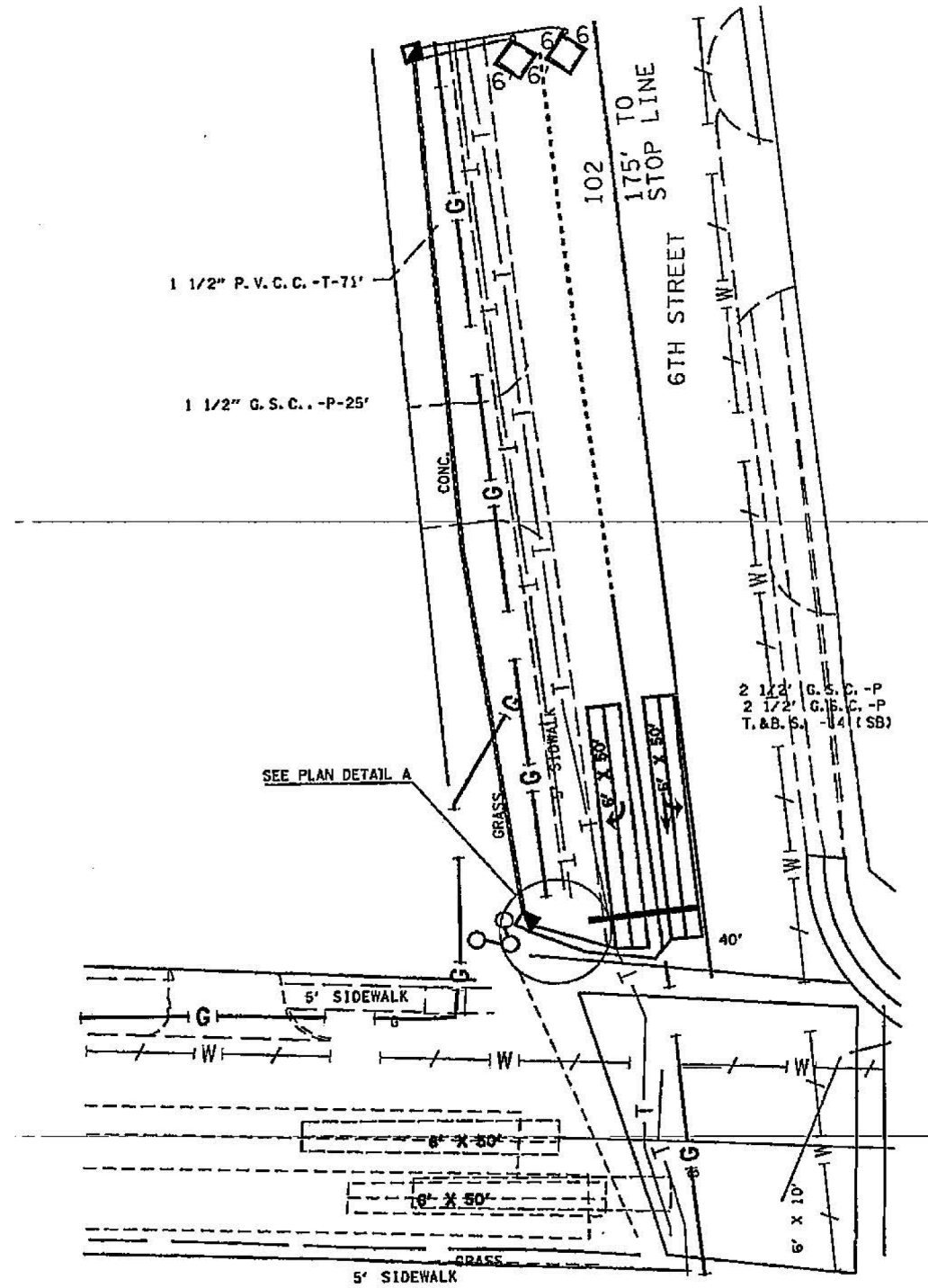
DETAIL C

FILE NAME =	USER NAME = sjmam	DESIGNED -	REVISED -	STATE OF ILLINOIS DEPARTMENT OF TRANSPORTATION	TYPICAL SECTIONS			F.A.U. RTU.	SECTION	COUNTY	TOTAL SHEETS	SHEET NO.
pw:\planroom.dot.illinois.gov\PIDOT\Documents\IDOT Offices\District 8\Projects\0876N24\0876N24\CAD\sheets\0876N24-sht-plan.dgn	DRAMA	REVISOR -	REVISOR -					9379	248PP-1	ST. CLAIR	7	5
Default	PLOT SCALE = 100.0000' / in.	CHECKED -	REVISOR -		SCALE:			CONTRACT NO. 76N24				
	PLOT DATE = 10/8/2019	DATE -	REVISOR -		SHEET 2	OF 2 SHEETS	STA.	TO STA.	ILLINOIS FED. AID PROJECT			

CLASS B PATCHING 14" SCHEDULE							
STATION		LANE	LANE		CLASS B PATCHING	SAW CUTS	DOWEL BARS 1 1/2"
			LENGTH	WIDTH	TY-II		
			FOOT	FOOT	SQ YD	FOOT	EACH
101+34	NB	1	12	11	15	57	20
101+34	SB	1	12	11	15	57	20
106+33	NB	1	8	11	10	49	20
110+40	NB	1	11	11	13	55	20
110+40	SB	1	11	11	13	55	20
113+21	NB	1	6	11	7	45	20
113+21	SB	1	6	11	7	45	20
121+26	NB	1	10	11	12	53	20
121+26	SB	1	10	11	12	53	20
124+20	NB	1	10	11	12	53	20
125+16	SB	1	6	11	7	45	20
126+53	NB	1	6	11	7	45	20
126+53	SB	1	6	11	7	45	20
113+10	NB	1	10	11	12	53	20
113+10	SB	1	10	11	12	53	20
134+58	NB	1	6	11	7	45	20
134+58	SB	1	6	11	7	45	20
146+20	NB	1	6	12	8	48	20
147+17	NB	1	6	12	8	48	20
152+10	NB	1	6	12	8	48	20
154+06	NB	1	6	12	8	48	20
155+04	NB	1	10	12	13	56	20
156+02	NB	1	6	12	8	48	20
156+98	NB	1	6	12	8	48	20
158+08	NB	1	6	12	8	48	20
162+49	NB	1	6	12	8	48	20
163+08	NB	1	6	12	8	48	20
164+07	NB	1	6	12	8	48	20
167+98	NB	1	6	12	8	48	20
168+96	NB	1	6	12	8	48	20
SUB TOTAL:					288	1485	600
PROJECTED FAILURES 15%					43	223	90
TOTAL A					331	1708	690

CLASS B PATCHING 14" SCHEDULE							
MILE STATION		LANE	LANE		CLASS B PATCHING	SAW CUTS	DOWEL BARS 1 1/2"
			LENGTH	WIDTH	TY-II		
			FOOT	FOOT	SQ YDS	FOOT	EACH
168+96	SB	1	6	12	8	48	20
169+92	SB	1	6	12	8	48	20
172+91	NB	1	6	12	8	48	20
173+89	NB	1	6	12	8	48	20
174+86	NB	1	6	12	8	48	20
175+86	NB	1	6	12	8	48	20
177+86	NB	1	10	12	13	56	20
180+32	NB	1	8	12	11	52	20
181+74	NB	1	6	12	8	48	20
182+75	NB	1	6	12	8	48	20
185+66	NB	1	6	12	8	48	20
186+67	NB	1	6	12	8	48	20
188+70	NB	1	6	12	8	48	20
189+70	NB	1	6	12	8	48	20
190+70	NB	1	6	12	8	48	20
195+59	NB	1	6	12	8	48	20
196+57	NB	1	6	12	8	48	20
198+53	NB	1	6	12	8	48	20
202+47	NB	1	6	12	8	48	20
203+43	NB	1	6	12	8	48	20
208+37	NB	1	6	12	8	48	20
208+58	NB	1	6	12	8	48	20
213+23	NB	1	6	12	8	48	20
215+72	NB	1	6	12	8	48	20
218+18	NB	1	6	12	8	48	20
219+25	NB	1	6	12	8	48	20
219+61	NB	1	6	12	8	48	20
220+37	SB	1	6	12	8	48	20
221+64	SB	1	6	12	8	48	20
SUB TOTAL:					240	1404	580
PROJECTED FAILURES 15%					36	211	87
TOTAL B					276	1615	667

GRAND TOTAL (A+B)	607	3322	1357
--------------------------	------------	-------------	-------------



FOR INFORMATION USE ONLY

FILE NAME =	USER NAME = sjmm	DESIGNED -	REVISED -
pw\planroom.dot.illinois.gov\PIDOT\Documents\IDOT Offices\District 8\Projects\0876N24\0876N24\CAD\sheets\0876N24-sht-plan.dgn	DRAGON	CHECKED -	REVISED -
Default	PLOT DATE = 10/8/2019	DATE -	REVISED -

**STATE OF ILLINOIS
DEPARTMENT OF TRANSPORTATION**

EXISTING DETECTOR LOOP DETAILS

SCALE: SHEET OF SHEETS STA. TO STA.

F.A.U. RTE.	SECTION	COUNTY	TOTAL SHEETS	SHEET NO.
9379	248PP-1	ST. CLAIR	7	7
CONTRACT NO. 76N24				
ILLINOIS FED. AID PROJECT				