

STATE OF ILLINOIS
DEPARTMENT OF TRANSPORTATION

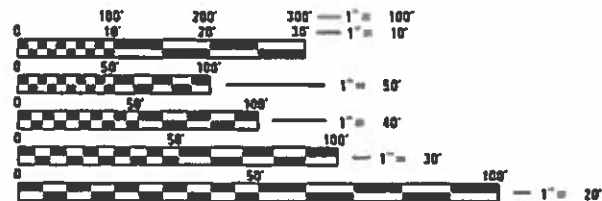
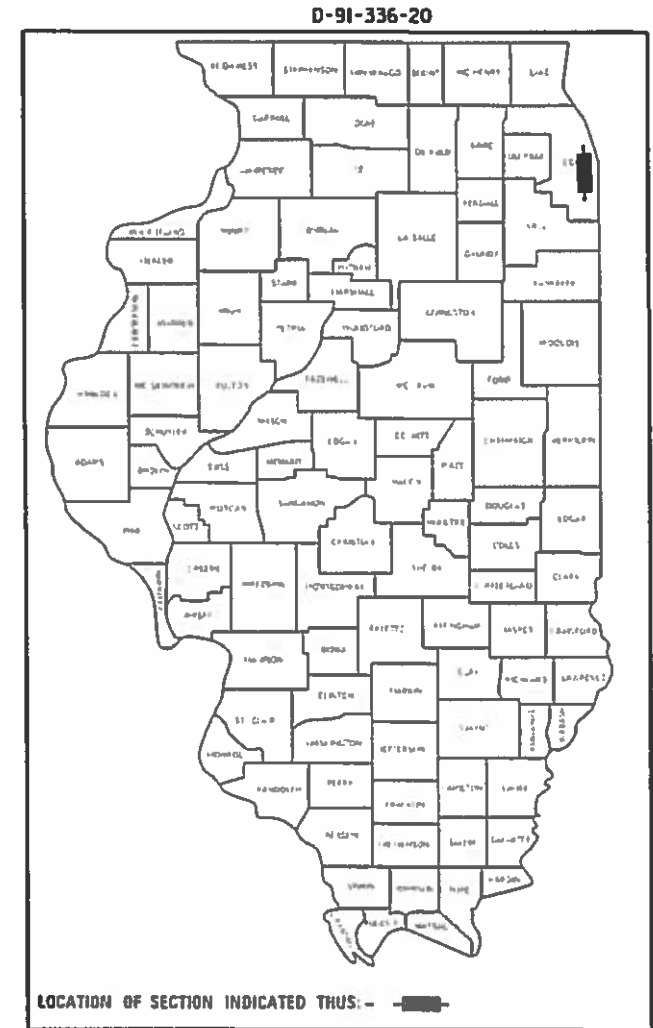
FAI 94 PAP 341 FAU 1574	SECTION 2019-170-1	COUNTY COOK	TOTAL SHEETS 5	SHEET NO. 1
CONTRACT NO. 62K43				

FOR INDEX OF SHEETS, SEE SHEET NO.

PROPOSED HIGHWAY PLANS

- 1) FAI 94: I-94 (BISHOP FORD EXPWY)
I-90/94 (DAN RYAN EXPWY TO I-80)
- 2) FAP 341: STONY ISLAND AVE
I-94 TO US 12 (95TH ST.)
- 3) FAU 1574: 103RD ST.
COTTAGE GROOVE TO STONY ISLAND

SECTION: 2019-170-1
EXPRESSWAY HIGHWAY CLEANING (LITTER/DEBRIS REMOVAL)
COUNTY: COOK
C-91-136-20



LOCATION MAP - SEE INDEX OF SHEETS

FULL SIZE PLANS HAVE BEEN PREPARED USING STANDARD ENGINEERING SCALES. REDUCED SIZED PLANS WILL NOT CONFORM TO STANDARD SCALES. IN MAKING MEASUREMENTS ON REDUCED PLANS, THE ABOVE SCALES MAY BE USED.

J.U.L.I.E.
JOINT UTILITY LOCATION INFORMATION FOR EXCAVATION
1-800-892-0123
OR 811

PROJECT ENGINEER: J. ALAIN MIDY (847) 221-3056
PROJECT MANAGER: FAWAD AQUEEL (847) 705-4247

CONTRACT NO. 62K43

STATE OF ILLINOIS
DEPARTMENT OF TRANSPORTATION

SUBMITTED ~~November 25~~ 25 20 19

Anthony G. Danzig REGIONAL ENGINEER

Dec 16 20 ENGINEER OF DESIGN AND ENVIRONMENT

Dec 16 20 DIRECTOR OF HIGHWAYS PROJECT IMPLEMENTATION

PRINTED BY THE AUTHORITY
OF THE STATE OF ILLINOIS

* FAI 94
 PAP 341
 FAU 1574

F.A. RTE.	SECTION	COUNTY	TOTAL SHEETS	SHEET NO.
*	2019-170-I	COOK	5	2
STA.		TO STA.		
FED. ROAD DIST. NO.	ILLINOIS	FED. AID PROJECT		

INDEX OF SHEETS

1. TITLE SHEET
2. INDEX OF SHEETS
 APPLICABLE STATE STANDARDS
3. SUMMARY OF QUANTITIES
 SCHEDULE OF CLEANING STARTING DATES
4. EXPRESSWAY CLEANING: I-94 (BISHOP FORD EXPWY); STONY ISLAND; 103RD ST.
5. TRAFFIC CONTROL DETAILS FOR FREEWAY SHOULDER CLOSURES
 AND PARTIAL RAMP CLOSURES (TC-17)

STATE STANDARDS

- 701101-05 OFF-ROAD OPERATION MULTILANE, 15' TO 24" FROM PAVEMENT EDGE
- 701106-02 OFF-ROAD OPERATION MULTILANE, MORE THAN 15' AWAY
- 701428-01 TRAFFIC CONTROL SETUP AND REMOVAL FREEWAY/EXPRESSWAY
- 701901-08 TRAFFIC CONTROL DEVICES

PLOT DATE = 11/25/2019
 FILE NAME = p:\p\penn\com\do\illinois\gov\p\1001\Documents\1001\Projects\Sweeping\Contracta\CADData\Design\SweepingContract2017.dgn
 PLOT SCALE = 1/8"=1'-0"
 USER NAME = midup

REVISIONS		ILLINOIS DEPARTMENT OF TRANSPORTATION
NAME	DATE	
		INDEX OF SHEETS AND STATE STANDARDS

SCALE: VERT. _____
 HORIZ. _____
 DATE _____ DRAWN BY _____
 CHECKED BY _____

* FAI 94
PAP 341
FAU 1574

F.A. RTE.	SECTION	COUNTY	TOTAL SHEETS	SHEET NO.
*	2019-170-I	COOK	5	3
STA.		TO STA.		
FED. ROAD DIST. NO.	ILLINOIS	FED. AID PROJECT		

SUMMARY OF QUANTITIES

CODE NO.	ITEM	UNIT	URBAN	
			TOTAL QUANTITIES	100 % STATE 0044 EXPRESSWAY
X0326643	LITTER PICKING	MILE	275	275

NOTES:

- SCHEDULE MAY VARY AS DIRECTED BY THE ENGINEER.
- NO WORK WILL BE ALLOWED DURING ANY LEGAL HOLIDAY PERIOD.
- ALL SCHEDULES OF ANTICIPATED STARTING DATES SHOWN ARE TENTATIVE AS DETERMINED BY THE DEPARTMENT'S OPERATIONAL NEEDS.
- NO DAILY CONTRACTOR WORK REQUESTS/ SCHEDULING SHALL BE AUTHORIZED OR APPROVED TO START WHEN IT IS DETERMINED BY THE ENGINEER THAT WEATHER CONDITIONS WILL BE UNFAVORABLE. APPROVAL OF ALL DAILY CONTRACTOR WORK SCHEDULE REQUEST SHALL BE SOLELY DETERMINED BY THE ENGINEER AND OR PROJECT SUPERVISOR.
- ALL SHOULDER CLOSURES SHALL BE IMMEDIATELY REMOVED DURING ALL ADVERSE WEATHER CONDITIONS **WITHOUT EXCEPTION**, INCLUDING BUT NOT LIMITED TO RAIN, WET ROAD SURFACE (SPRAY FROM TIRES), MIST, DRIZZLE, SLEET, SNOW, FOG AND ANY OTHER CIRCUMSTANCE DETERMINED UNSAFE BY THE ENGINEER. **THE CONTRACTOR SHALL IMPLEMENT THIS CONTRACT REQUIREMENT IMMEDIATELY WITHOUT WAITING FOR DEPARTMENT INSTRUCTIONS.**
- NO WORK WILL BE ALLOWED DAY OR NIGHT ON THE FOLLOWING DATES UNLESS IT IS CONSIDERED AN EMERGENCY, IMMEDIATE HAZARD OR ANY WORK AS DESIGNATED BY THE DEPARTMENT THAT REQUIRES FIRST PRIORITY CORRECTIVE ACTION:

2020: APRIL 10 - APRIL 13	EASTER HOLIDAY
MAY 22 - MAY 26	MEMORIAL DAY HOLIDAY
JULY 2 - JULY 6	INDEPENDENCE DAY HOLIDAY
SEPTEMBER 4 - SEPTEMBER 8	LABOR DAY HOLIDAY
NOVEMBER 23 - DECEMBER 1	THANKSGIVING HOLIDAY
DECEMBER 23 - JANUARY 1/2021	CHRISTMAS/NEW YEAR'S HOLIDAY

PLOT DATE = 11/25/2019
 FILE NAME = p:\1\penn\com\do\illinois\gou\p\1\1\Documents\1\DOT Offices\District 1\Projects\Sweeping Contracts\CADData\Design\SweepingContract2017.dgn
 PLOT SCALE = 1/85,8824 / in.
 USER NAME = roshup

REVISIONS		ILLINOIS DEPARTMENT OF TRANSPORTATION
NAME	DATE	
		SUMMARY OF QUANTITIES AND SCHEDULE OF STARTING DATES
SCALE:	VERT. DATE	HORIZ. DRAWN BY
		CHECKED BY

* FAI 94
 PAP 341
 FAU 1574

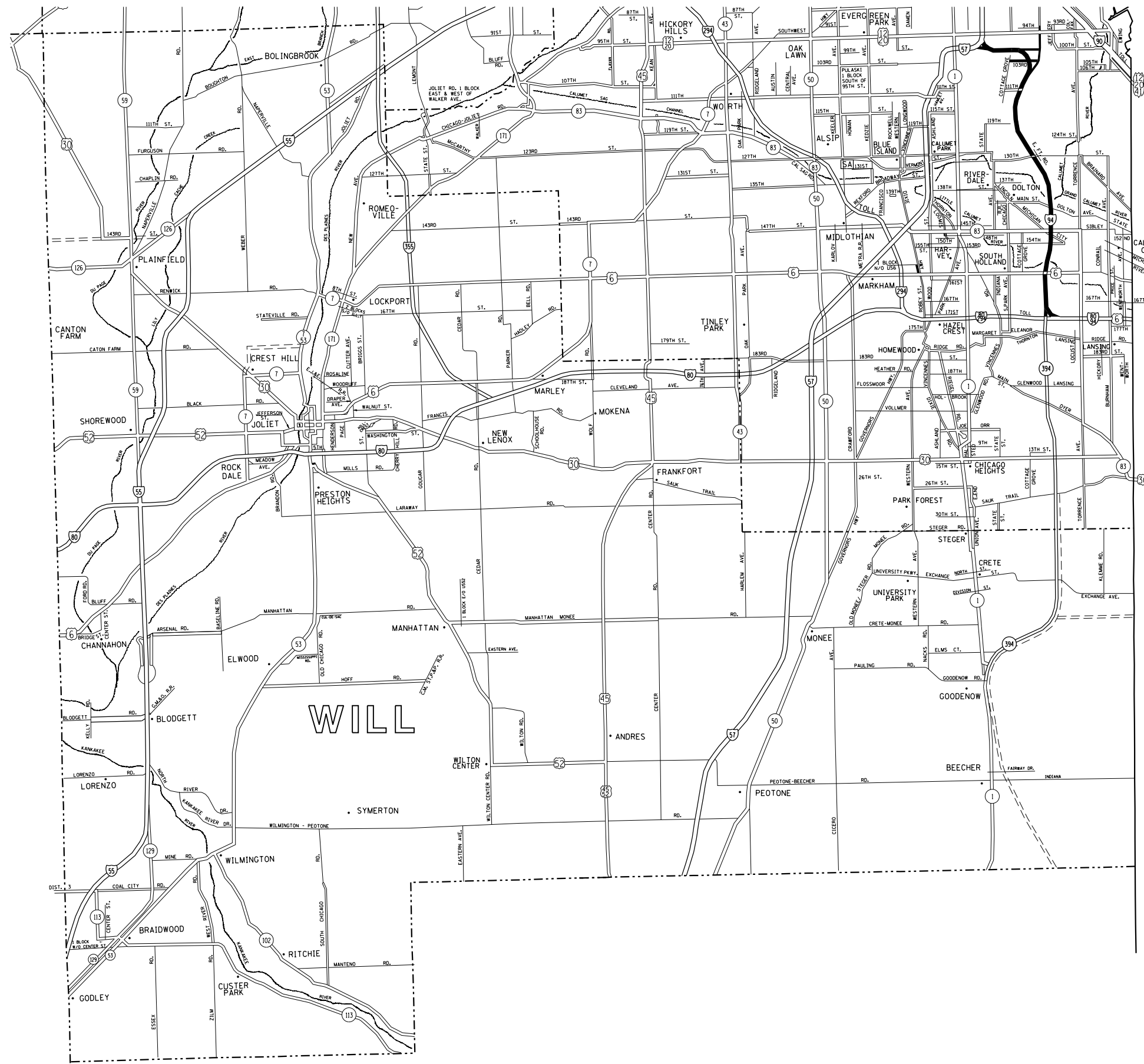
F.A. RTE.	SECTION	COUNTY	TOTAL SHEETS	SHEET NO.
*	2019-170-I	COOK	5	4
STA.		TO STA.		
FED. ROAD DIST. NO.	ILLINOIS	FED. AID PROJECT		



DISTRICT NO. 1

- STATE HIGHWAYS & EXPRESSWAYS WITHIN STATE JURISDICTION (EXCEPT TOLLWAYS)
- STATE HIGHWAYS & EXPRESSWAYS TO BE CLEANED
- - - FUTURE HIGHWAYS
- VARIOUS AGENCIES HIGHWAYS

INDIANA



PLOT DATE = 11/25/2019
 FILE NAME = p:\m\elenn\m\do\illinois\gov\p\m\1001\Documents\1001\Office\District\Projects\Sweeping\Contracta\CADData\Design\SweepingContractL2017.dgn
 PLOT SCALE = 1/85,8824 / in.
 USER NAME = rothup

REVISIONS	
NAME	DATE

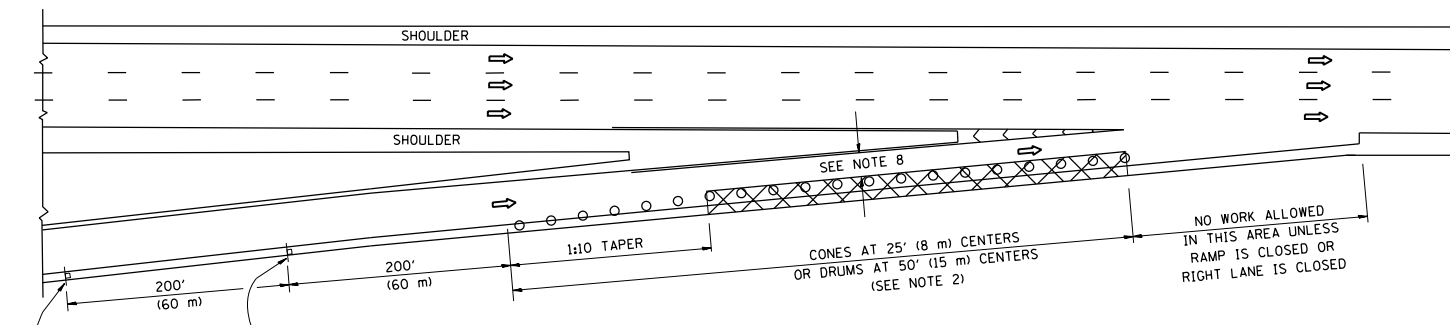
ILLINOIS DEPARTMENT OF TRANSPORTATION

EXPRESSWAY CLEANING LOCATION MAP
 BISHOP FORD, STONY ISLAND AND 103RD ST

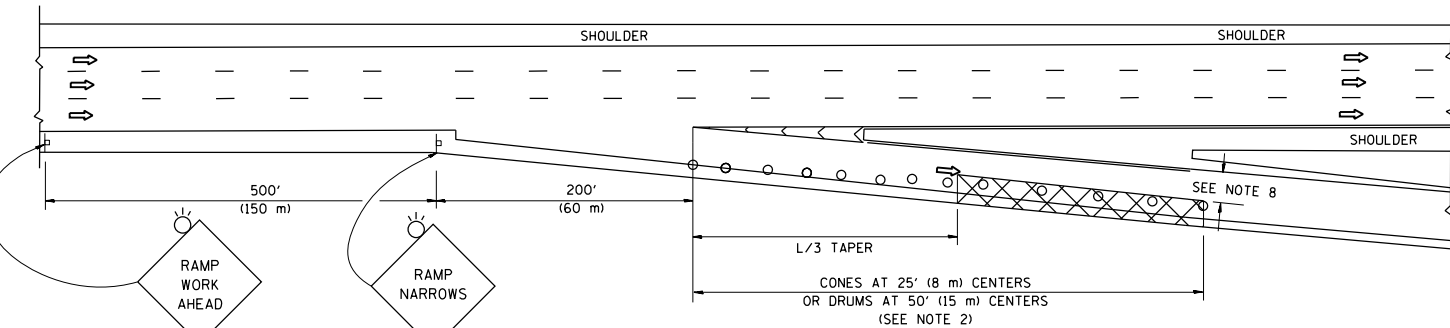
SCALE: VERT. / HORIZ.
 DATE

DRAWN BY
 CHECKED BY

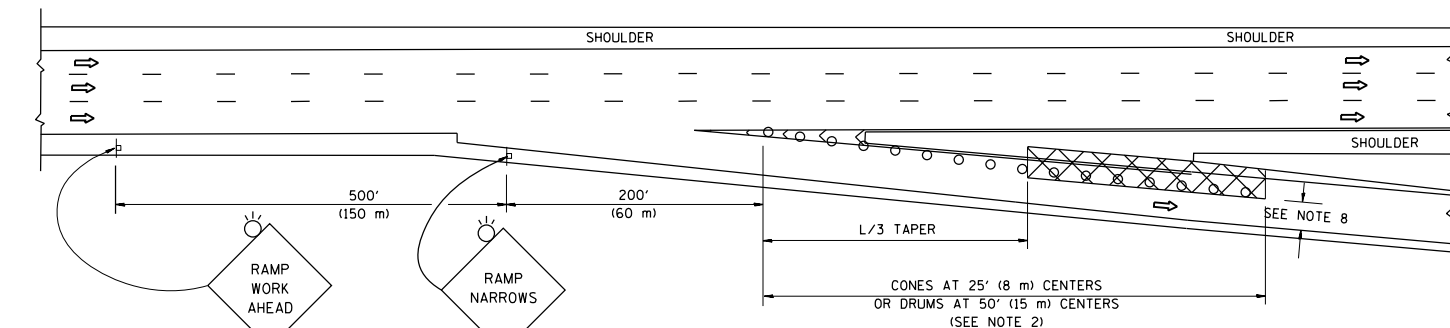
PARTIAL RAMP CLOSURE DETAILS



TYPICAL ENTRANCE RAMP



TYPICAL EXIT RAMP



TYPICAL EXIT RAMP

SYMBOLS

- ACTIVE WORK AREA
- SIGN ON PORTABLE OR PERMANENT SUPPORT
- FLAGGER WITH CONTROL SIGN
- TYPE II BARRICADE OR DRUM
- CONE, DRUM OR BARRICADE
- IMPACT ATTENUATOR OF TYPE AND TEST LEVEL SPECIFIED

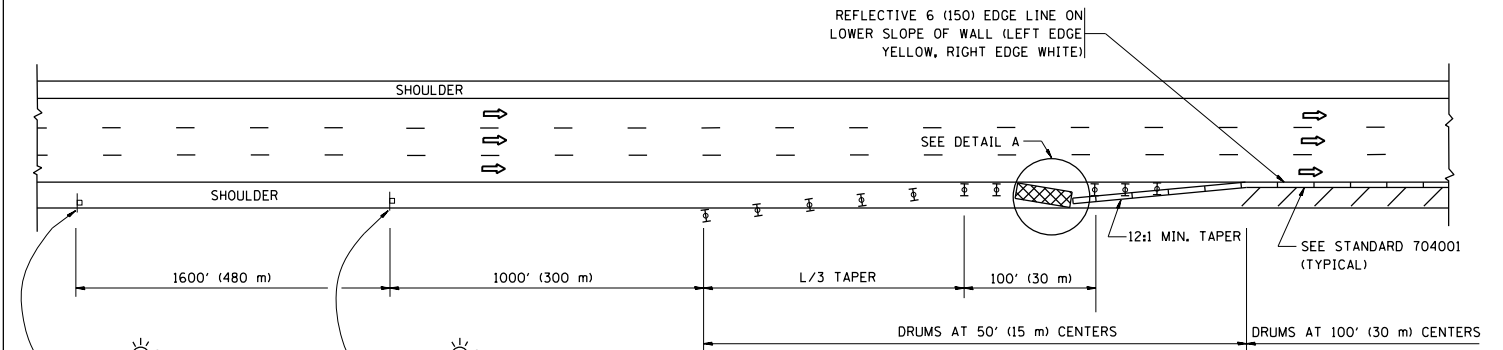
GENERAL NOTES

1. THE "L" DISTANCE EQUALS:

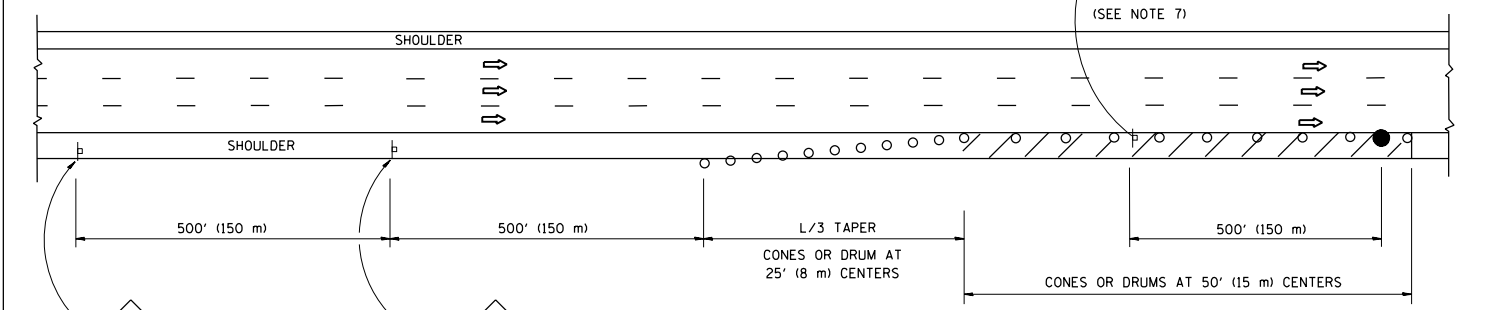
SPEED LIMIT	FORMULAS
45 mph (80 km/h)	METRIC ENGLISH
OR GREATER:	$L = 0.65(W)(S)$ $L = (W)(S)$

W = WIDTH OF OFFSET IN FEET (METERS)
 S = NORMAL POSTED SPEED MPH (KM/H)
2. TYPE II BARRICADES OR DRUMS ARE REQUIRED FOR ALL NIGHTTIME CLOSURES. TYPE II BARRICADES OR DRUMS WITH MONODIRECTIONAL STEADY BURN LIGHTS ARE REQUIRED FOR DELINEATING OBSTACLES, EXCAVATIONS, OR HAZARDS EXCEEDING 100 FT (30m) IN LENGTH AT NIGHT.
3. ALL SIGNS SHALL BE POST MOUNTED IF THE CLOSURE TIME EXCEEDS FOUR DAYS.
4. FLASHING LIGHTS SHALL BE USED DURING THE HOURS OF DARKNESS AND SHALL BE INSTALLED ABOVE THE FIRST TWO SETS OF SIGNS.
5. THE IMPACT ATTENUATOR, TEMPORARY IS NOT REQUIRED WHEN THE TEMPORARY CONCRETE BARRIER WALL IS PROTECTED BY OR IS TIED INTO THE EXISTING GUARDRAIL. IF OFFSET IS LESS THAN 5 FEET USE NARROW USE TYPE DEVICE TO MEET NCHRP350/MASH.
6. AUTHORIZATION FROM THE DISTRICT'S BUREAU OF TRAFFIC IS REQUIRED FOR ALL FREEWAY CLOSURES.
7. THE FLAGGER AND FLAGGER SIGN ARE REQUIRED AT THE ABOVE WORK SITES WHEN:
 - a. FOUR OR MORE WORK VEHICLES ENTER THE TRAFFIC LANES IN A ONE HOUR PERIOD.
 - b. THE WORK ACTIVITY REQUIRES FREQUENT ENCROACHMENT INTO THE LANE OPEN TO TRAFFIC.
 THE FLAGGER SHALL BE STATIONED APPROXIMATELY 100' (30 m) TO 200' (60 m) IN ADVANCE OF THE WORKERS.
8. 12' MIN. WIDTH TANGENT SECTION
 16' MIN. WIDTH CURVE SECTION.

SHOULDER CLOSURE DETAILS

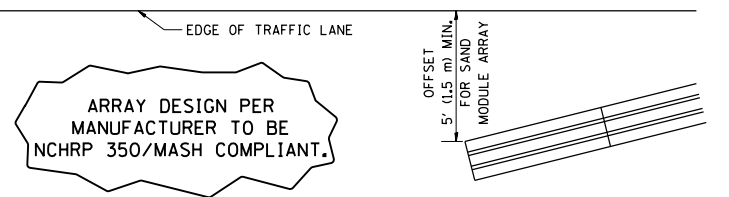


PERMANENT SHOULDER CLOSURE



DAYTIME SHOULDER CLOSURE

THIS DETAIL IS USED WHERE:
 1. VEHICLES, EQUIPMENT, WORKERS OR THEIR ACTIVITIES ENCROACH IN AN AREA CLOSER THAN 15' (4.5 m) TO THE EDGE OF PAVEMENT FOR A PERIOD IN EXCESS OF 15 MINUTES.



DETAIL "A"
 IMPACT ATTENUATOR, TEMPORARY
 (SEE NOTE 5)

* FAI 94
 PAP 341
 FAU 1574
 ALL DIMENSIONS ARE IN INCHES (MILLIMETERS) UNLESS OTHERWISE SHOWN.

FILE NAME =	USER NAME = rothjp	DESIGNED -	REVISED - S.P.B. 01-07
pw:\planroom.dot.illinois.gov\PIWIDOT\Documents\IDOT Offices\District 1\Projects\Sweeping\Drawings\6000\Drawings\Sweeping\CONTRACT NO. 62K43	DRAWN -	CHECKED -	REVISED - S.P.B. 12-09
Default	PLOT SCALE = 100.0000' / in.	DATE - 11-96	REVISED - M.D. 06-13
	PLOT DATE = 11/25/2019		REVISED - M.D. 01-18

STATE OF ILLINOIS
 DEPARTMENT OF TRANSPORTATION

TRAFFIC CONTROL DETAILS FOR FREEWAY
 SHOULDER CLOSURES AND PARTIAL RAMP CLOSURES

SCALE: NONE SHEET 1 OF 1 SHEETS STA. TO STA.

F.A. RTE.	SECTION	COUNTY	TOTAL SHEETS	SHEET NO.
*	2019-170-I	COOK	5	5
TC-17		CONTRACT NO. 62K43		
ILLINOIS FED. AID PROJECT				