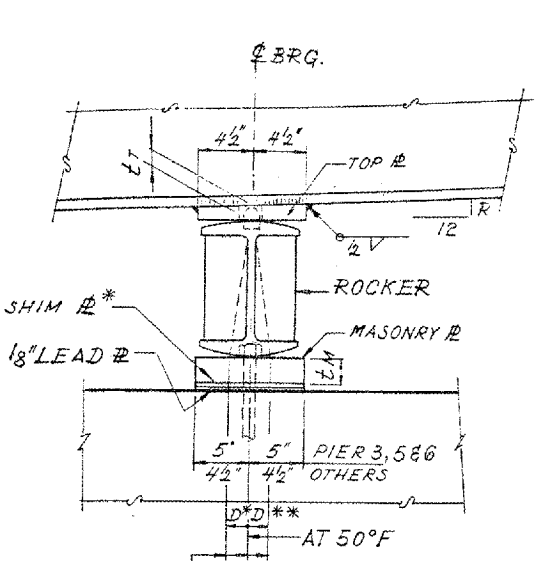
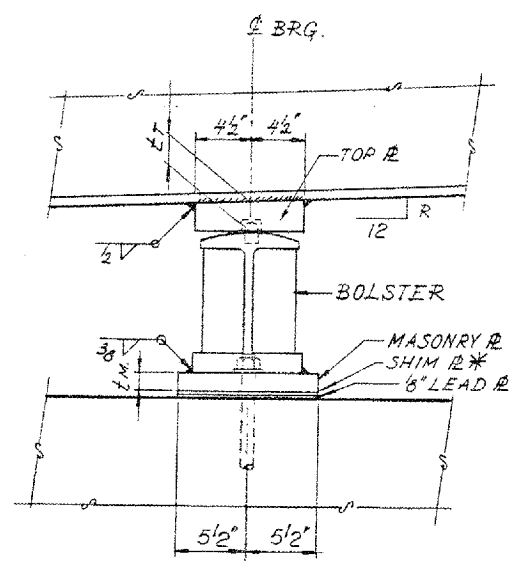


ROUTE	SECTION	COUNTY	TOTAL SHEETS	SHEET NUMBER
VARIOUS	2006-019 BP	COOK	37	8A

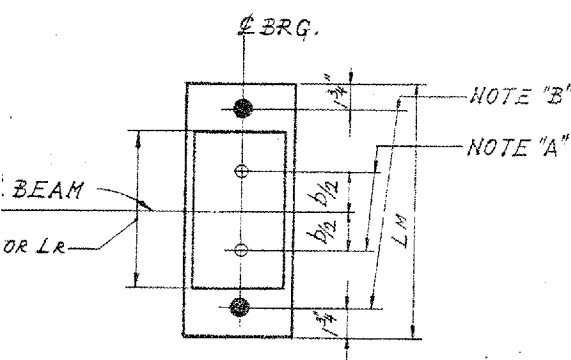
CONTRACT NO. 60B44



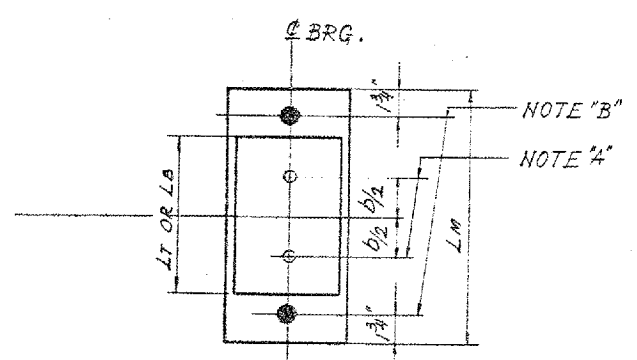
ANCHOR BOLTS FOR STEEL ERECTION AT VARIOUS TEMPERATURES. SEE NOTES



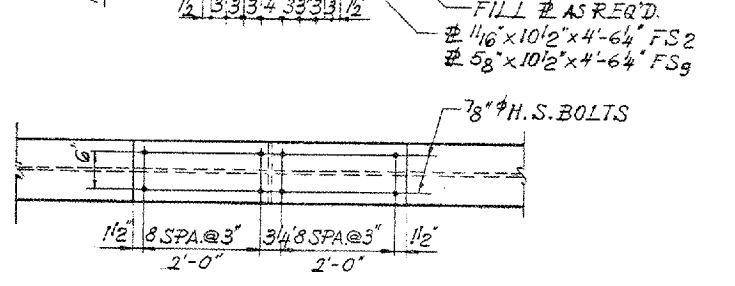
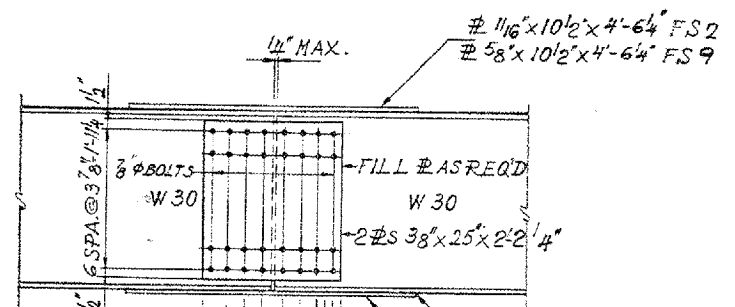
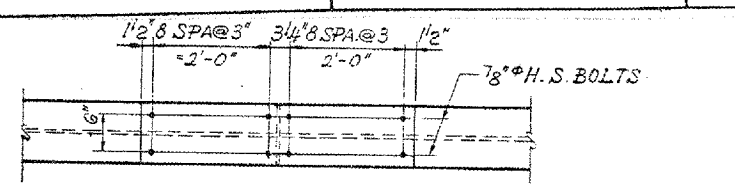
FOR LOCATION OF SHIM PLATE AND THICKNESS SEE FRAMING PLAN THE SIZE OF SHIM PLATE IS SAME AS MASONRY PLATE



EXPANSION BEARING

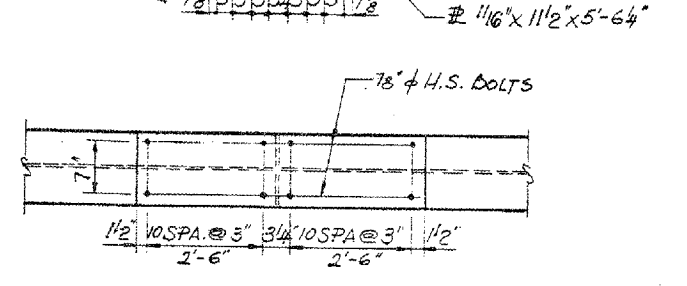
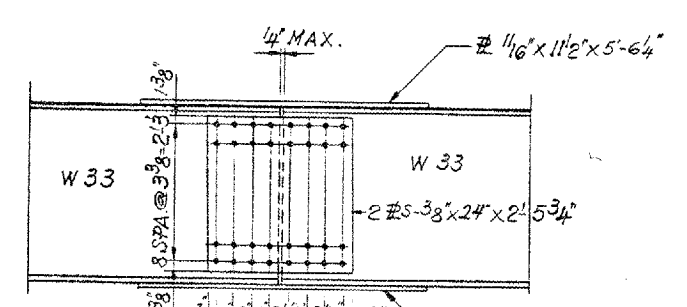
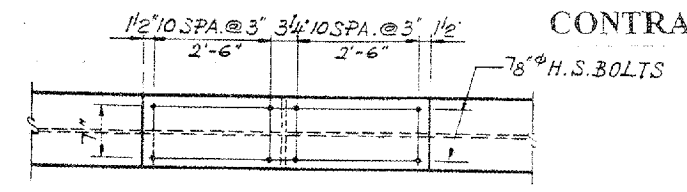


FIXED BEARING

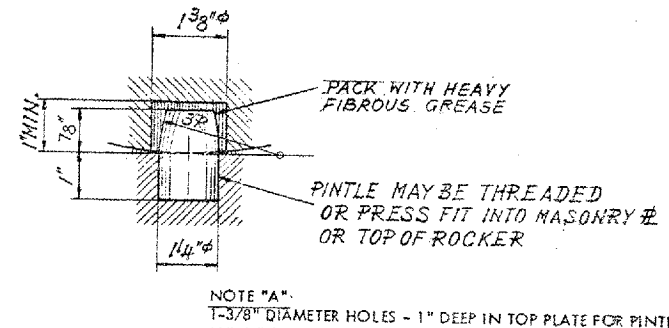
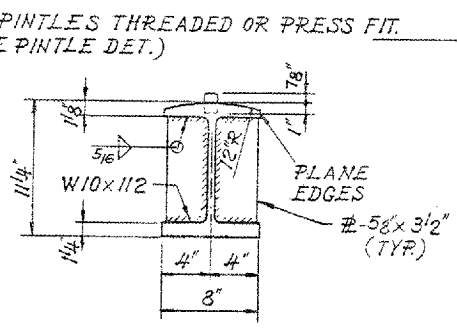
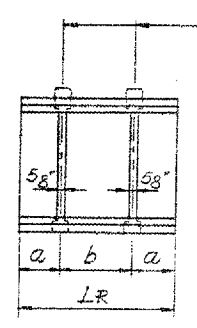
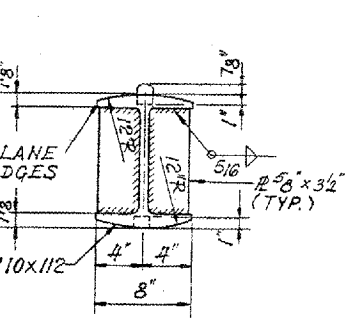


FIELD SPLICES FOR W30 BEAMS (FS2 & FS9)

SPLICE MATERIAL TO CONFORM TO AASHTO SPECIFICATIONS M 223 N. T. R.



FIELD SPLICES FOR W33 BEAMS (FS4, FS5, FS6 & FS7)



NOTE "A": 1-3/8\"/>

NOTE "B": 1\"/>

NOTES ON SETTING OF ANCHOR BOLTS AT EXPANSION BEARINGS

D* (SIDE OF BEARING AWAY FROM FIXED BEARING) D* = 1/8\"/>

D** (SIDE OF BEARING TOWARD FIXED BEARING) D** = 1/8\"/>

AFTER BEAMS HAVE BEEN ERECTED AND DIMENSIONS D* OR D** DETERMINED, HOLES SHALL BE DRILLED AND ANCHOR BOLTS SHALL BE GROUTED IN PLACE. ALL FIXED ANCHOR BOLTS MAY BE BUILT INTO THE MASONRY.

EXPANSION BEARINGS

LOCATION	TOP PLATE			ROCKER		MASONRY PLATE	
	LT	LT	R	LR	a	b	LM
ABUTMENT, PIER 2-S, PIER 7-N & N. ABUT.	14"	11 1/2"	12"	11 1/2"	3"	5 1/2"	19"
PIER 2-N & PIER 7-S	13 3/8"	12 1/2"	-	12 1/2"	3"	6 1/2"	20"
PIER 3, PIER 5 & PIER 6	2"	12 1/2"	-	12 1/2"	3"	6 1/2"	20"

FIXED BEARINGS

LOCATION	TOP PLATE			BOLSTER		MASONRY PLATE	
	LT	LT	R	LR	a	b	LM
PIER 1, PIER 8	13 1/4"	11 1/2"	12"	11 1/2"	3"	5 1/2"	19"
PIER 4	2"	12 1/2"	-	12 1/2"	3"	6 1/2"	20"

LOCATION NO. 1

EXIST. BRIDGE PLANS
IL 1 OVER CSX RR
SN: 016-0194