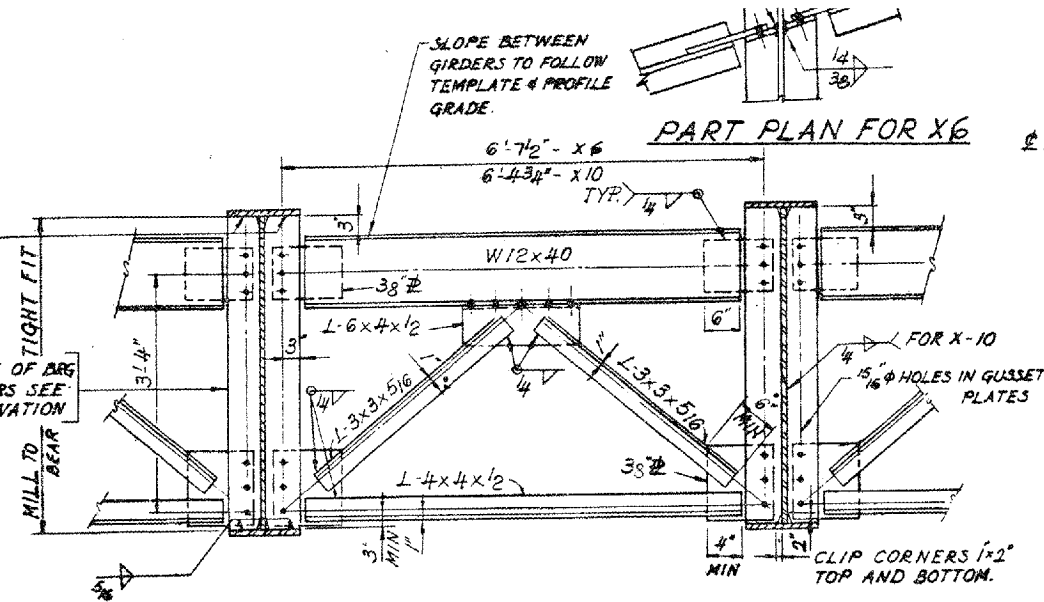
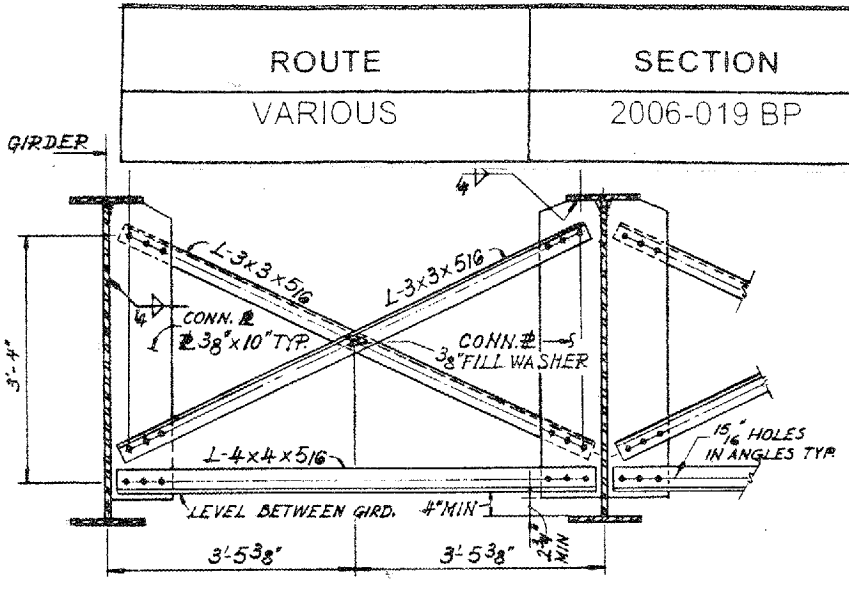


ROUTE	SECTION	COUNTY	TOTAL SHEETS	SHEET NUMBER
VARIOUS	2006-019 BP	COOK	37	12B

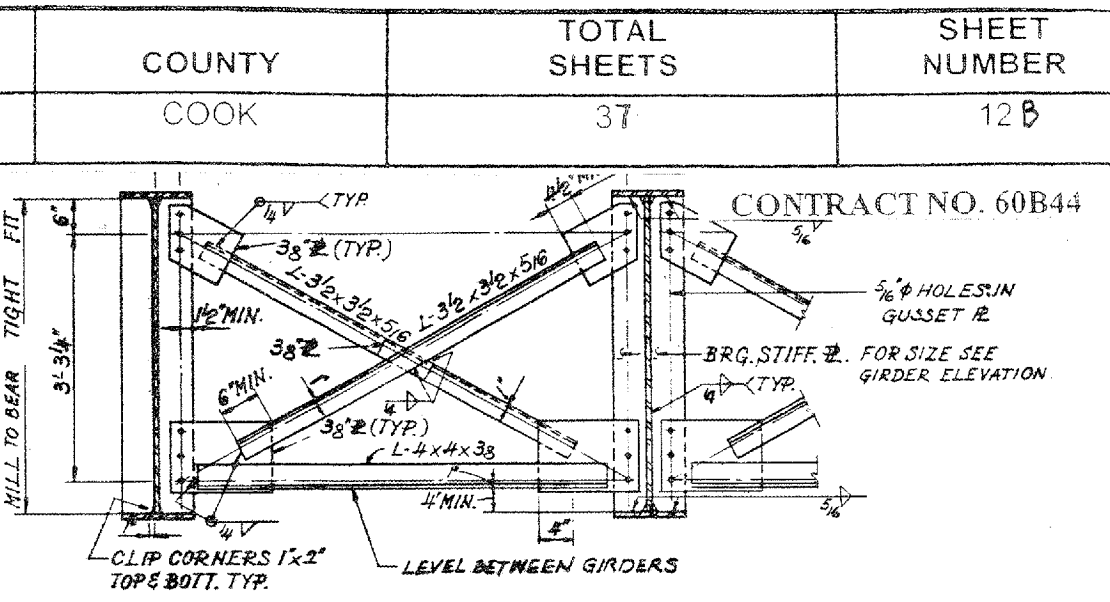
CONTRACT NO. 60B44



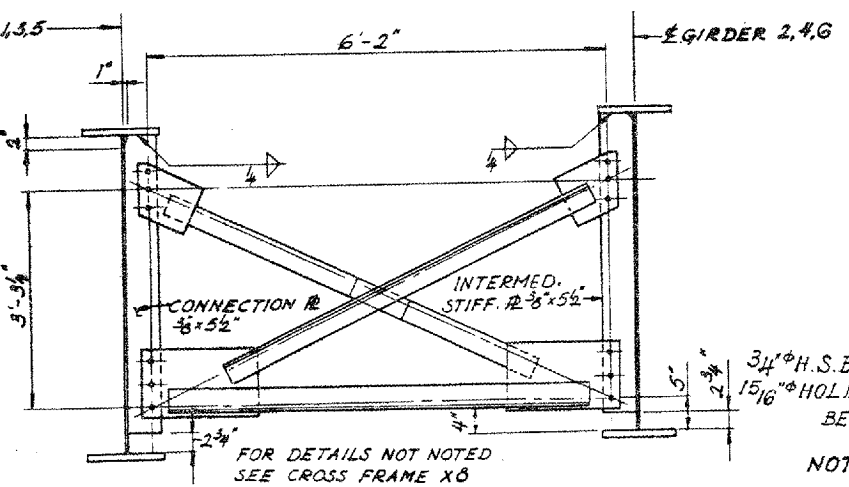
CROSS FRAME X6 OR X10



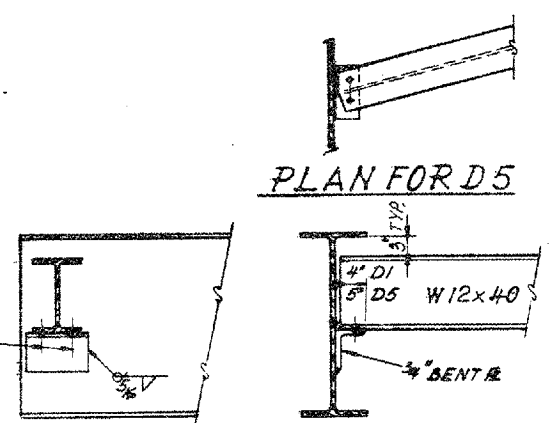
CROSS FRAME X7



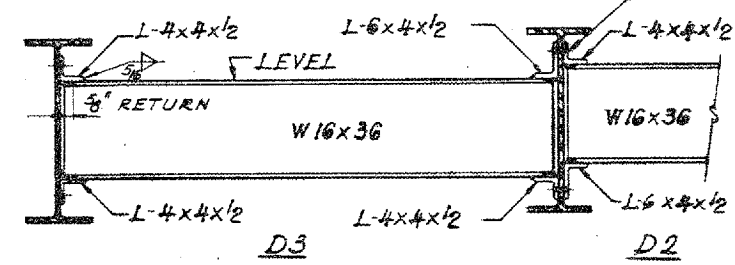
CROSS FRAME X8



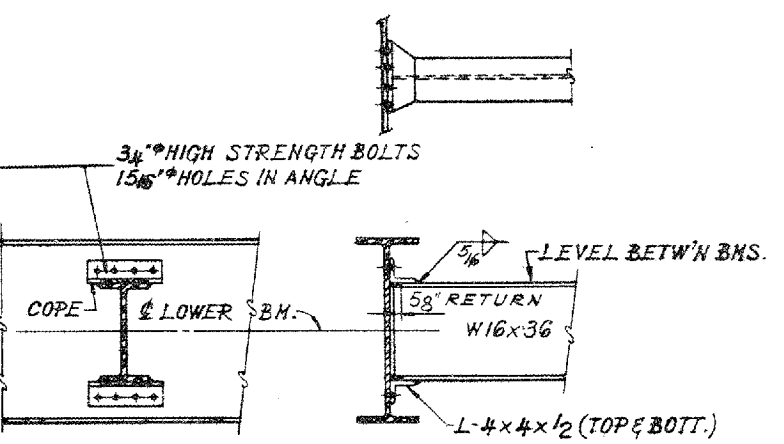
CROSS FRAME X9



DIAPHRAGMS D1 & D5

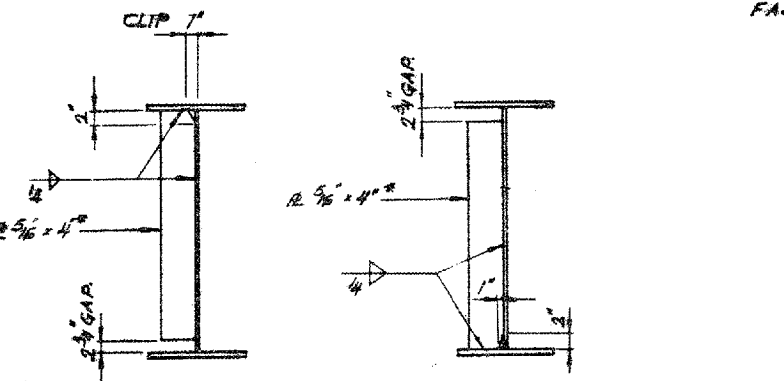


DIAPHRAGMS D2 & D3



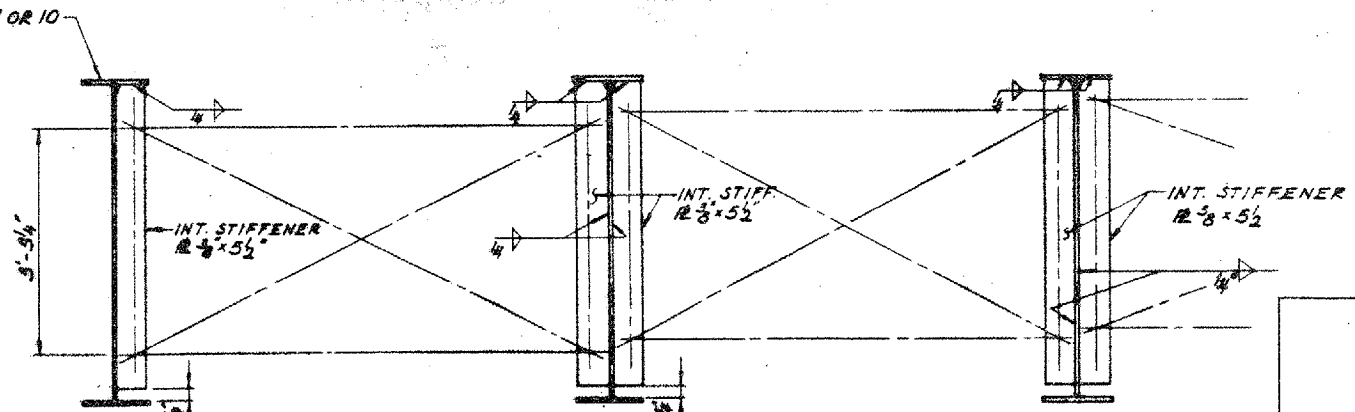
DIAPHRAGM D4

NOTE: HARDENED WASHERS SHALL BE USED OVER 15/16" DIAMETER HOLES IN GUSSET PLATES AND ANGLES.



INTERMEDIATE STIFFENER

1. LOCATION OF GAP SEE GIRDER ELEVATION
 *TYPICAL INTERMEDIATE STIFFENER UNLESS OTHERWISE NOTED FOR CROSS FRAME X9, X11, OR X12



CROSS FRAME X11 CROSS FRAME X12

FOR DETAILS NOT SHOWN OR NOTED SEE CROSS FRAMES X-6 AND X-9

LOCATION NO.2

**EXIST. BRIDGE PLANS
 IL 1 OVER IHB RR
 SN: 016-0195**