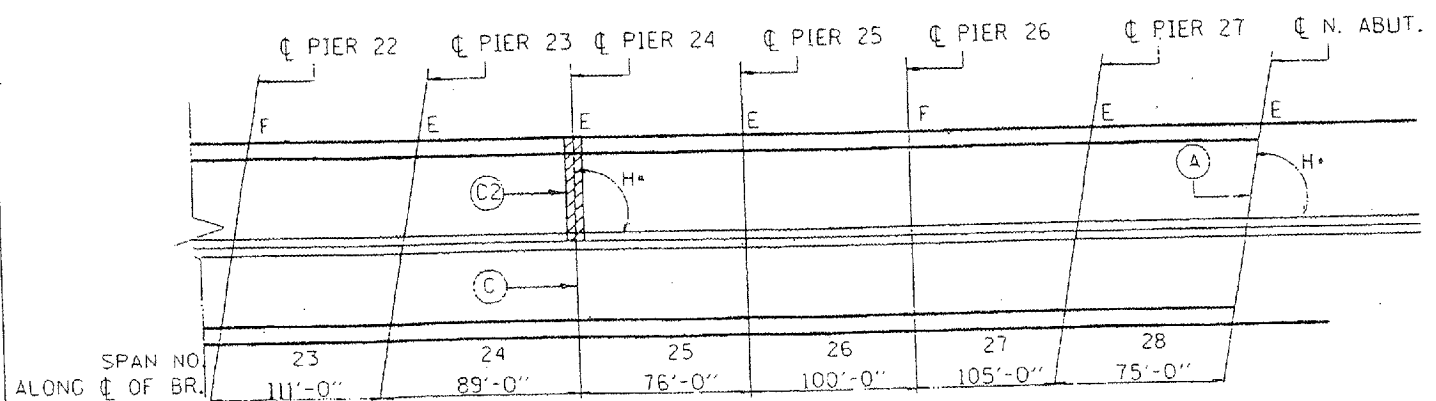
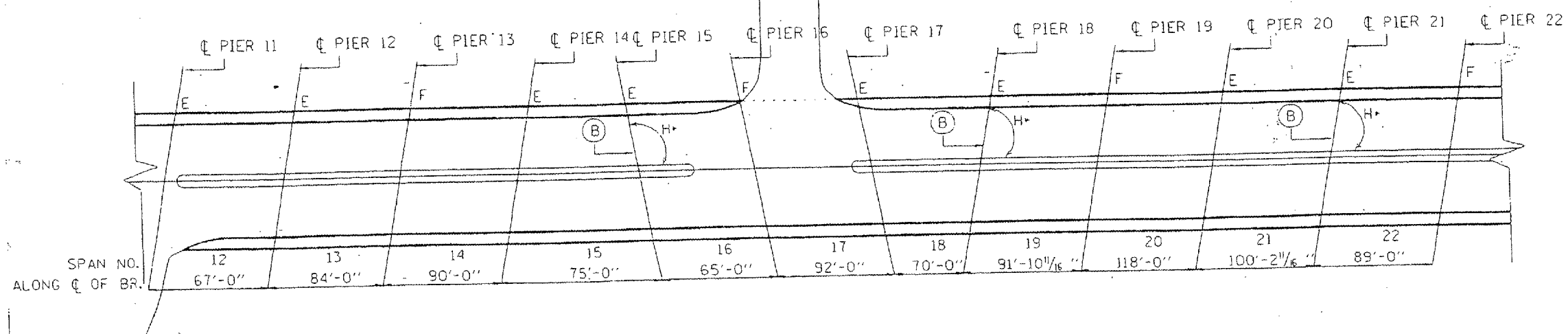
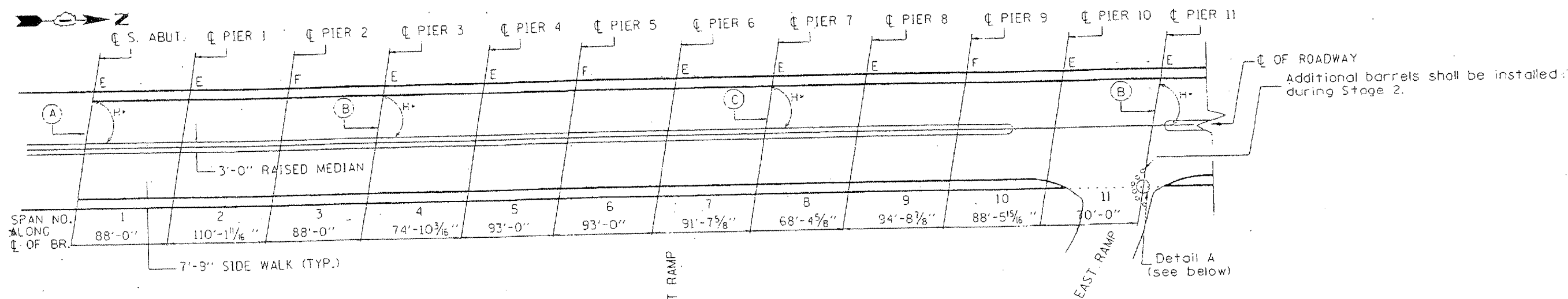


ROUTE VARIOUS	SECTION 2006-019 BP	COUNTY COOK	TOTAL SHEETS 37	SHEET NUMBER 20
------------------	------------------------	----------------	--------------------	--------------------

CONTRACT NO. 60B44

Sheet 8 of 23



**FOR  
INFORMATION  
ONLY**

**LOCATION NO.3**  
**EXIST. BRIDGE PLANS**  
**BURNHAM AVE VIADUCT**  
**SN: 016-0806**