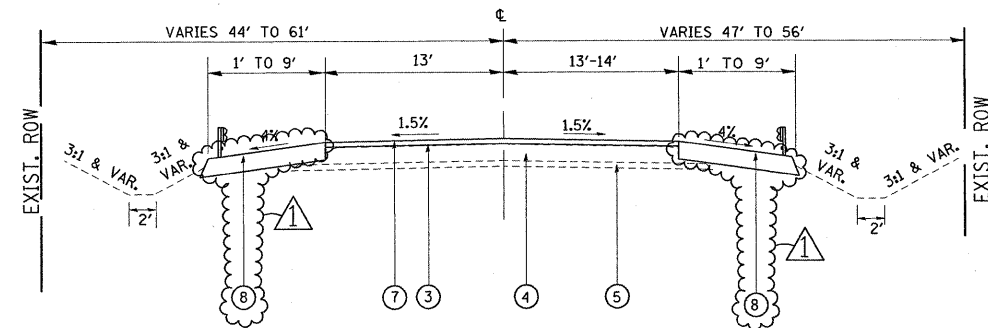


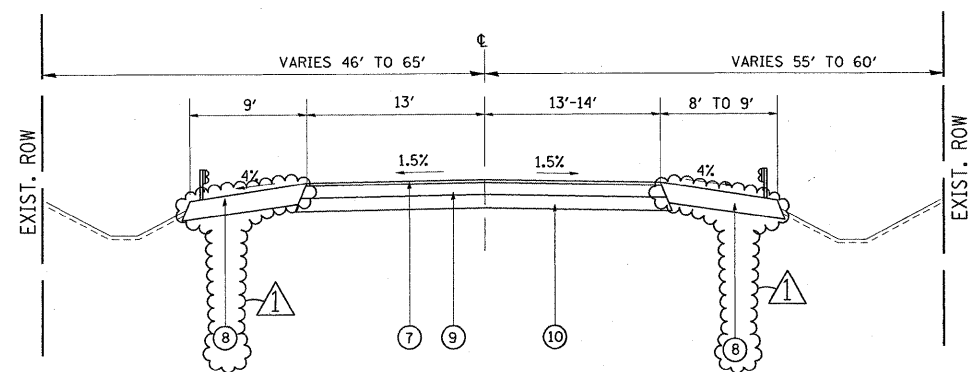
EXISTING TYPICAL SECTION
US 45

STATION
146+50 TO 149+69
149+43 TO 152+00



PROPOSED TYPICAL SECTION
US 45

STATION
146+50 TO 148+49
149+63 TO 152+00



PROPOSED TYPICAL SECTION
US 45

STATION
148+49 TO 148+90
149+22 TO 149+63

LEGEND

- ① EXIST. AGGREGATE SHOULDER, (6")
- ② EXIST. HMA CONCRETE SURFACE COURSE MIXTURE D (CLASS I) (1 1/2")
- ③ EXIST. HMA CONCRETE BINDER COURSE (CLASS I) (1 1/2")
- ④ EXIST. HMA BASE COURSE (9")
- ⑤ EXIST. SUB-BASE GRANULAR MATERIAL TYPE A (4")
- ⑥ PROP. HMA SURFACE REMOVAL, 2" (STA. 146+50-148+49 AND STA. 149+63-152+00)
- ⑥ PROP. PAVEMENT REMOVAL (STA. 148+50-148+90 AND STA. 149+23-149+63)
- ⑦ PROP. HOT-MIX ASPHALT SURFACE COURSE, MIX "D", N70, 2"
- ⑧ PROP. HMA SHOULDER, 10"
- ⑨ PROP. HMA BINDER COURSE, IL - 19, N70, 11"
- ⑩ PROP. AGGREGATE SUBGRADE, 12"

- * STA 147+76 TO STA 148+90(LT)
- * STA 149+23 TO STA 150+38(LT)
- * STA 147+76 TO STA 148+90(RT)
- * STA 149+23 TO STA 150+37(RT)

NOTES:

FOR EXISTING APPROACH PAVEMENT DETAIL, SEE DETAILS OF APPROACH PAVEMENT SHEET
FOR TEMPORARY PAVEMENT LOCATIONS, SEE PRE-STAGE CONSTRUCTION SHEET

PROP. AGGREGATE WEDGE SHOULDER, TYPE B (STA. 146+50 - STA. 147+00 AND STA. 151+50 - STA. 152+00) - SEE ALSO SHEET 8

FOR SUB-BASE GRANULAR MATERIAL, TYPE A, (4") LOCATIONS, SEE HIGHWAY STANDARD 4B2001

FILE NAME = c:\projects\p135202\design_00.dgn	USER NAME = smthk1	DESIGNED -	REVISED - Δ ADDENDUM 1	STATE OF ILLINOIS DEPARTMENT OF TRANSPORTATION	EXISTING AND PROPOSED TYPICAL SECTIONS U.S. RTE. 45 OVER JACKSON CREEK - S.N. 099-4649	F.A.P. RTE. 330	SECTION 104B-3-BR	COUNTY WILL	TOTAL SHEETS 42	SHEET NO. 5	
PLOT SCALE = 50,000' / IN.	CHECKED -	REVISED - 12/31/07 K.S.	SCALE: 1" = 50'			SHEET NO. OF SHEETS	STA. TO STA.	FED. ROAD DIST. NO. 1 ILLINOIS FED. AID PROJECT			
PLOT DATE = 12/31/2007	DATE -	REVISED -									
Rev. 1-9-08											