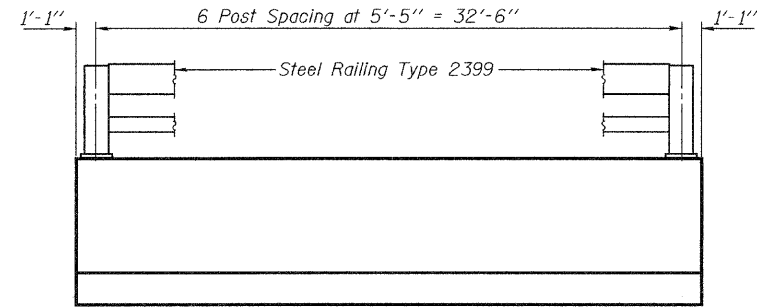


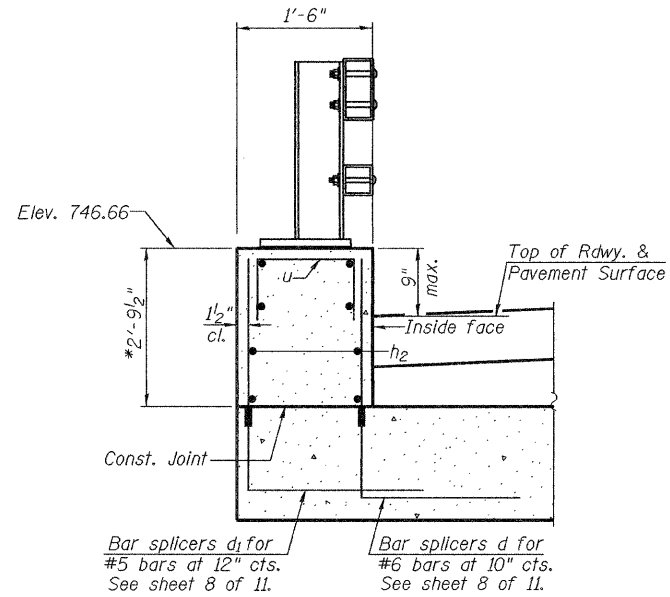
STATE OF ILLINOIS
DEPARTMENT OF TRANSPORTATION

ROUTE NO.	SECTION	COUNTY	TOTAL SHEETS	SHEET NO.	SHEET NO. 7 11 SHEETS
FAP 330	104B-3-BR	WILL	42	26	
FED. ROAD DIST. NO. 7		ILLINOIS	FED. AID PROJECT		

Contract No. 60B80

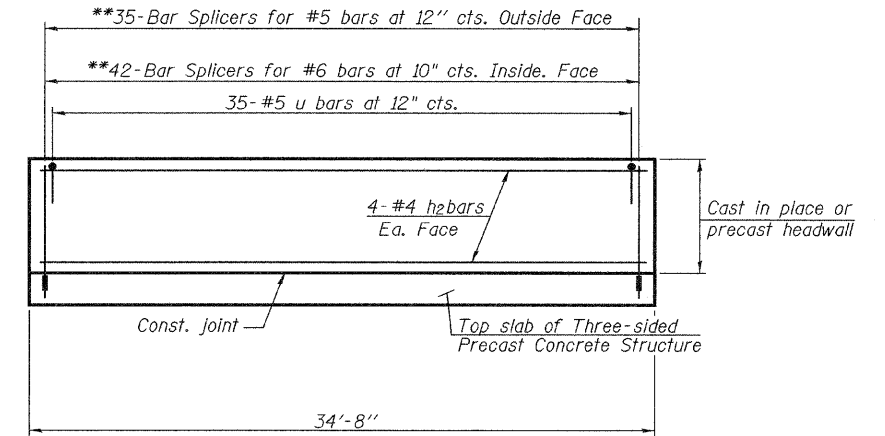


HEADWALL ELEVATION
(Showing Post Spacing)



SECTION THRU HEADWALL

*May vary depending on top slab thickness of Three Sided Precast Concrete Structure.



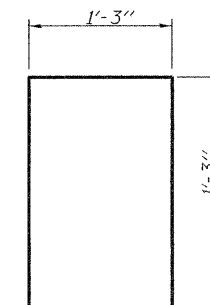
HEADWALL ELEVATION
(Showing Reinforcement)

Space reinforcement to miss anchor rods.

**The cost of the bar splicer assemblies for the headwalls shall be included in the cost of the Three-Sided Precast Concrete Structure 32'x10'.

**BILL OF MATERIAL
HEADWALLS AND ENDWALLS**

Bar	No.	Size	Length	Shape
h2	16	#4	34'-4"	—
u	70	#5	3'-9"	□
v9	8	#5	16'-3"	—
Concrete Structures		Cu. Yd.	20.0	
Reinforcement Bars		Pound	780	



BAR u

HEADWALL DETAILS
F.A.P. RT. 330 SEC. 104B-3-BR
WILL COUNTY
STATION 149+06.00
STRUCTURE NO. 099-4649

DESIGNED	Dhruv P. Narielwala
CHECKED	Stephen M. Ryan
DRAWN	h.t. duong
CHECKED	DPN/SMR

November 20 2007
EXAMINED *Thomas J. Donagale*
PASSED *Ralph E. Anderson*
ENGINEER OF BRIDGES AND STRUCTURES