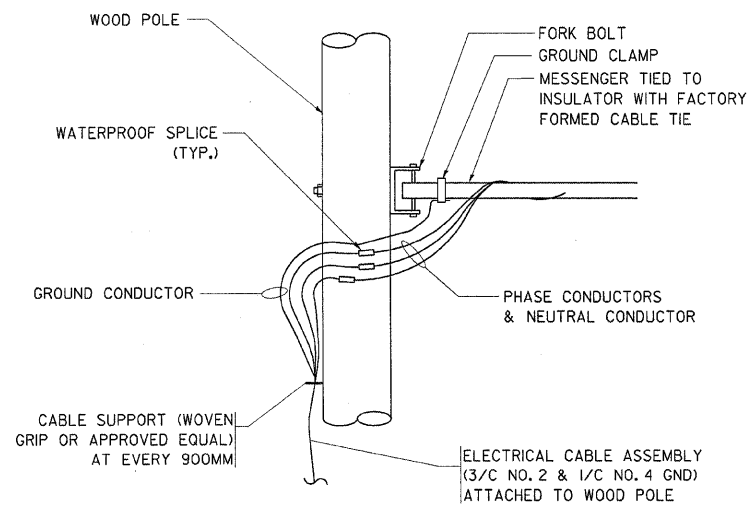
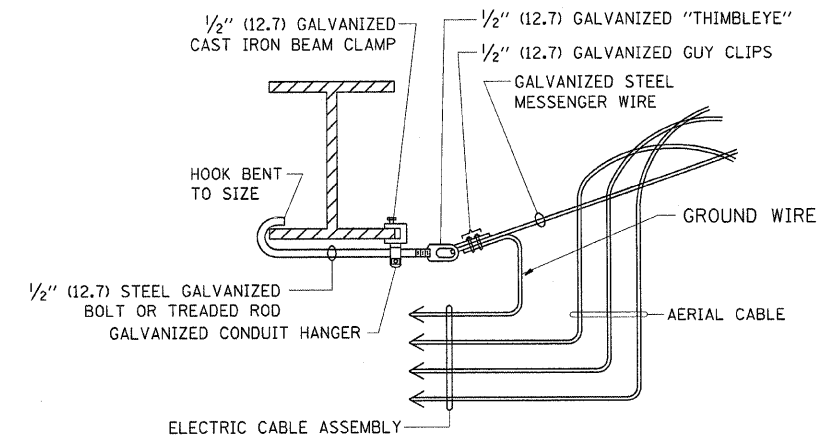


F.A.P. RTE.	SECTION	COUNTY	TOTAL SHEETS	SHEET NO.
330	1010-3-BR	Will	42	40
STA.		TO STA.		
FED. ROAD DIST. NO.		ILLINOIS FED. AID PROJECT		



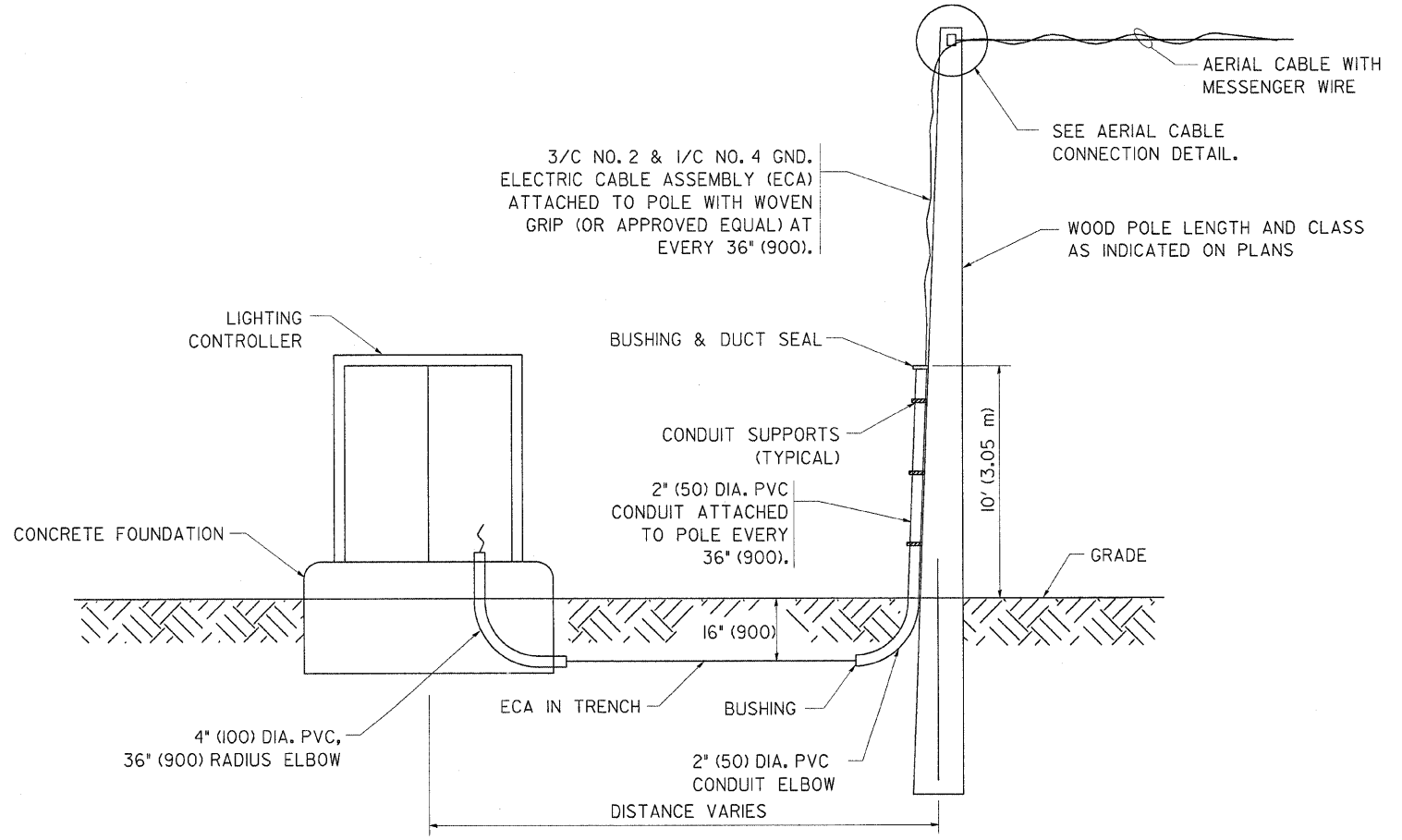
**AERIAL CABLE CONNECTION DETAIL**  
N.T.S.



**AERIAL CABLE ATTACHED TO STRUCTURE**  
NOT TO SCALE

**NOTES:**

1. ALL DIMENSIONS IN INCHES (MILLIMETERS) UNLESS OTHERWISE INDICATED.
2. SEE PROPOSED LIGHTING PLAN FOR CONDUIT, CABLE AND ROUTING.
3. THE CONTRACTOR SHALL PROVIDE INTERMEDIATE SUPPORTS TO MAINTAIN MINIMUM CLEARANCES. REFER TO AERIAL AERIAL CABLE ATTACHED TO STRUCTURE DETAIL.
4. COST OF SPLICES AND MOUNTING HARDWARE SHALL BE INCLUDED IN THE UNIT PRICE FOR AERIAL CABLE.



**WOOD POLE TO LIGHTING CONTROLLER WIRING CONNECTION DETAIL**  
N.T.S.

REVISIONS	
NAME	DATE
	08/08/03

ILLINOIS DEPARTMENT OF TRANSPORTATION  
  
TEMPORARY AERIAL CABLE INSTALLATION  
  
SCALE: VERT. NONE  
HORIZ.  
  
DRAWN BY  
CHECKED BY  
BE-801

PLOT DATE = 10/08/03  
 FILE NAME = \\victoria\c\Users\m\grandy\Desktop\Kort's Job Standards\be801.dgn  
 PLOT SCALE = 1/8" = 1'-0"  
 USER NAME = m\grandy