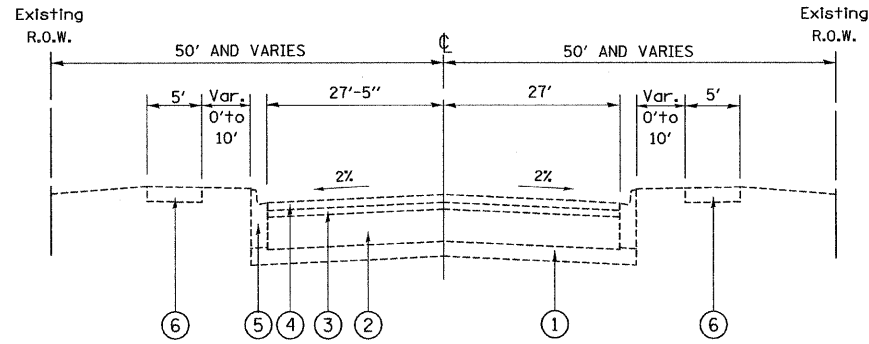
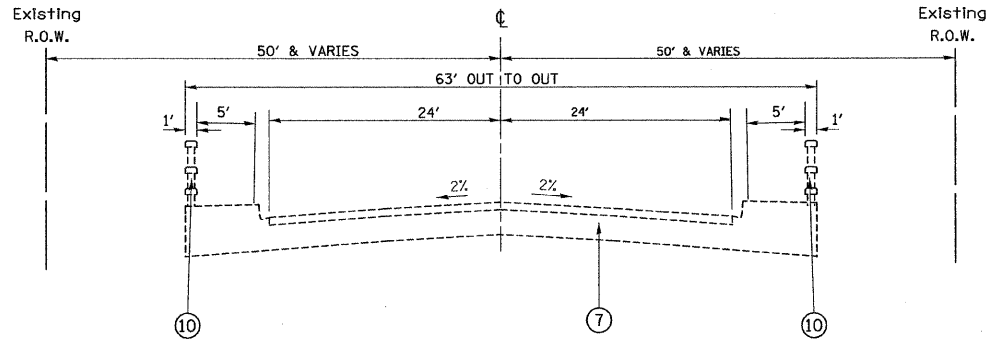


CONTRACT NO. 60B98

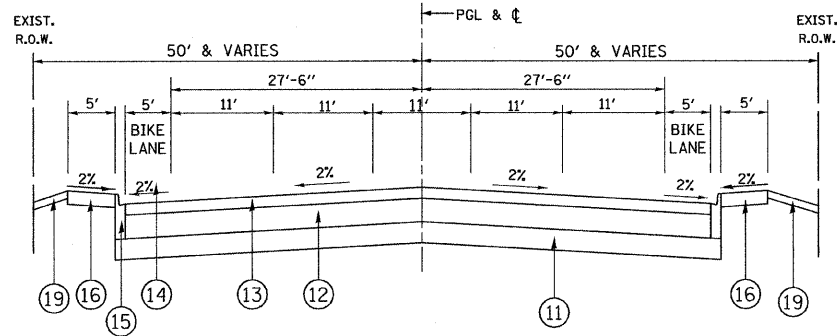


**EXISTING TYPICAL SECTION
EMERSON STREET**
STA. 100+32 TO STA. 101+47.29
STA. 104+21.91 TO STA. 105+86.55

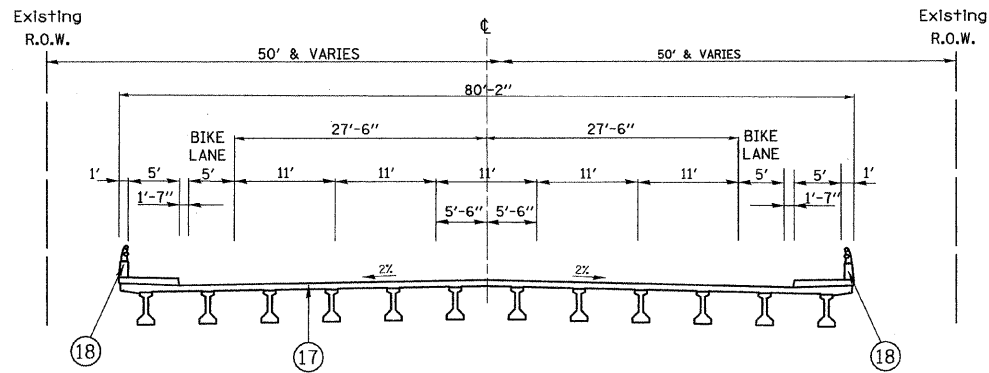


**EXISTING BRIDGE TYPICAL SECTION
EMERSON STREET**
STA. 101+77.29 TO STA. 103+91.95
(BRIDGE)

- LEGEND:**
- ① EXISTING SUB-BASE AGGREGATE MATERIAL, 4" & VARIES (R)
 - ② EXISTING PCC PAVEMENT, 9" (R)
 - ③ EXISTING BITUMINOUS LEVELING BINDER COURSE, 1 1/2" (R)
 - ④ EXISTING BITUMINOUS SURFACE COURSE, 1 1/2" (R)
 - ⑤ EXISTING COMBINATION CONCRETE C&G, B-6.12 (R)
 - ⑥ EXISTING PCC SIDEWALK (TYP.) (R)
 - ⑦ EXISTING RCC BOX BEAM SUPERSTRUCTURE (R)
 - ⑧ EXISTING BITUMINOUS ASPHALT SURFACE COURSE OVERLAY, 1 1/2" (R)
 - ⑨ NOT USED
 - ⑩ EXISTING STEEL HANDRAIL (R)
 - ⑪ PROP. AGGREGATE SUBGRADE, 12"
 - ⑫ PROP. HOT-MIX ASPHALT BINDER COURSE, 8 1/2", IL 19, N70
 - ⑬ PROP. HOT-MIX ASPHALT SURFACE COURSE (IL 9.5mm); 2". MIX "D". N70
 - ⑭ PROP. SHARED BICYCLE/TRAFFIC LANE
 - ⑮ PROP. COMBINATION CONCRETE C&G, B-6.12
 - ⑯ PROP. PCC SIDEWALK, 5" (TYP.)
 - ⑰ PROP. PCC BRIDGE DECK
 - ⑱ PROP. PARAPET WALL WITH RAILING ON TOP
 - ⑲ PROP. TOPSOIL, 4" & SODDING, SALT TOLERANT
- (R) INDICATES REMOVAL



**PROPOSED TYPICAL SECTION
EMERSON STREET**
STA. 100+32 TO STA. 101+47.29
STA. 104+21.91 TO STA. 105+86.55



**PROPOSED BRIDGE TYPICAL SECTION
EMERSON STREET**
STA. 101+77.29 TO STA. 103+91.95
(BRIDGE)
SN 016-0655 (EXIST.)
SN 016-2858 (PROP.)

HOT - MIX ASPHALT MIXTURE REQUIREMENTS		
MIXTURE TYPE	AC TYPE	AIR VOIDS
FULL DEPTH PAVEMENT	PG 64-22	4 @ 70 GYR.
HOT-MIX ASPHALT SURFACE COURSE, MIX "D", N70 (IL 9.5 mm); 2"	PG 64-22	4 @ 70 GYR.
HOT-MIX ASPHALT BINDER COURSE, N70, IL-19, 8 1/2"	PG 64-22	4 @ 70 GYR.

NOTE: THE UNIT WEIGHT USED TO CALCULATE ALL HOT MIX ASPHALT SURFACE MIXTURES IS 112 LBS/SQ YD/IN

STRUCTURAL DESIGN TRAFFIC:	Year	2017
PV = 18,838	SU = 361	MU = 361
ROAD/STREET CLASSIFICATION:	Class	1
PERCENT OF STRUCTURAL DESIGN TRAFFIC IN DESIGN LANE:		
P = 50%	S = 50%	M = 50%
TRAFFIC FACTOR:	Actual TF = 2.49	AC Type = 10
	Minimum TF =	
AC GRADE:	Binder = PG 64-22	Surface = PG 64-22
SUBGRADE SUPPORT RATING:		
SSR = POOR	(Sta. 100+32 to 105+86.56)	
SSR =	(Sta. to)	

REVISIONS		ILLINOIS DEPARTMENT OF TRANSPORTATION F.A.U. ROUTE 1312 (EMERSON STREET)
NAME	DATE	
		EMERSON STREET EXISTING AND PROPOSED TYPICAL SECTIONS
SCALE: NONE	DRAWN BY JSS	DATE: OCT. 17, 2007
	CHECKED BY JP	