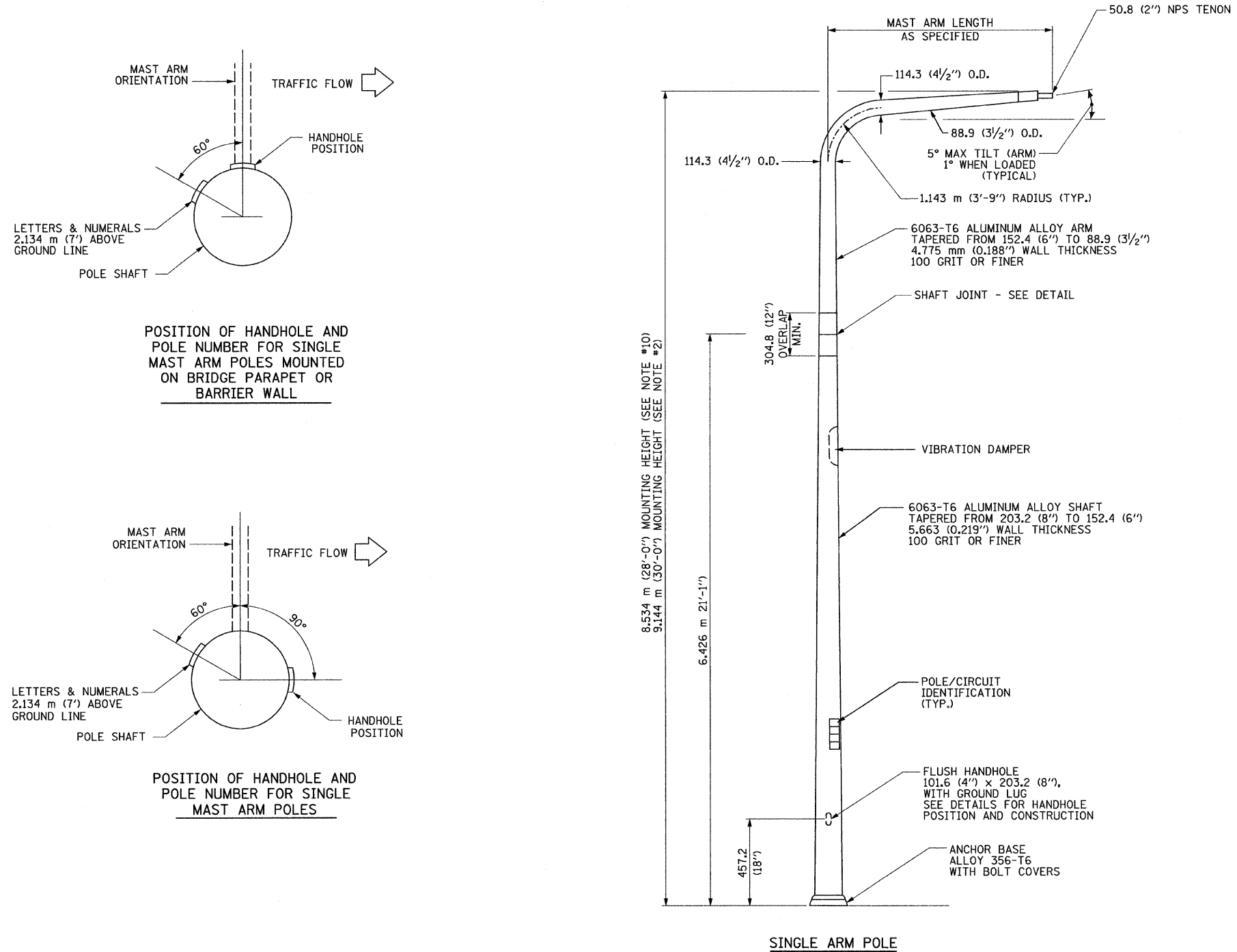


F.A.U. RTE.	SECTION	COUNTY	TOTAL SHEETS	SHEET NO.
1312	0707-B	COOK	80	32
STA.		TO STA.		
FED. ROAD DIST. NO.		ILLINOIS	FED. AID PROJECT	

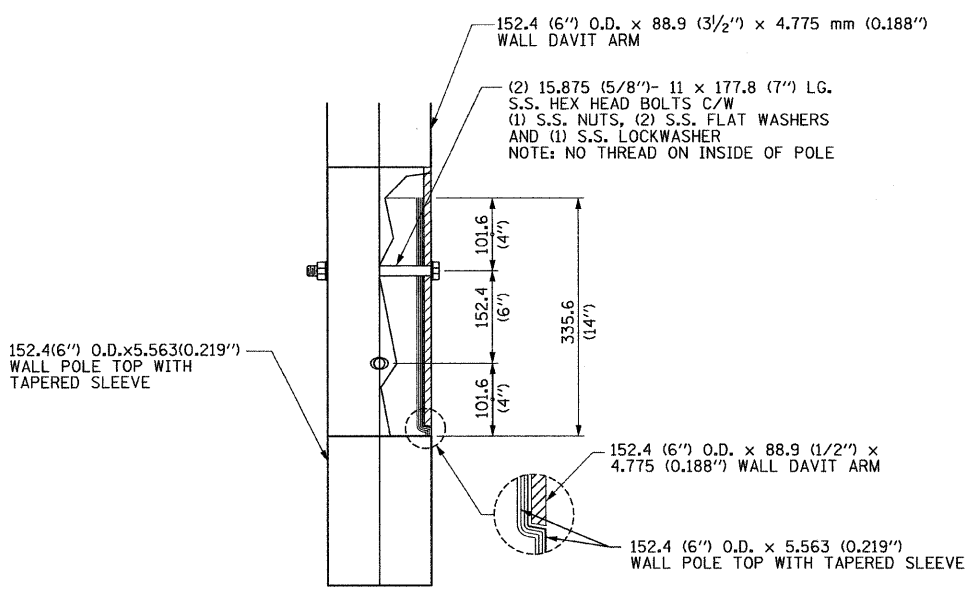
CONTRACT NO. 60B98

NOTES:

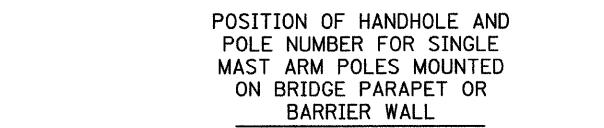
1. ALL DIMENSIONS ARE IN MILLIMETERS (INCHES) UNLESS OTHERWISE SHOWN.
2. MOUNTING HEIGHT IS DEFINED AS THE DISTANCE FROM THE CENTERLINE OF THE TENON TO THE BOTTOM OF THE ANCHOR BASE.
3. TWO PIECE SHAFT WILL BE MATCHED MARKED AND INTERCHANGEABLE BETWEEN DIFFERENT UNITS. FIELD DRILLING OF THE HOLES WILL NOT BE ALLOWED
4. THE LIGHT POLE WILL MEET AASHTO DESIGN CRITERIA AS SPECIFIED.
5. THE INSTALLING CONTRACTOR WILL PROVIDE A UL LISTED GROUNDING CONNECTOR, BURNDY K2C23, T & B SP4DL OR APPROVED EQUAL.
6. LIGHT POLES WILL NOT BE INSTALLED WITHOUT MAST ARMS AND LUMINAIRES.
7. LIGHT POLES WILL BE SET PLUMB ON THE FOUNDATION WITHOUT THE USE OF LEVELING NUTS, WASHERS OR SHIMS.
8. LIGHTING UNIT IDENTIFICATION NUMBERS SHALL BE INSTALLED BEFORE THE LIGHTING UNIT IS ENERGIZED.
9. GROUND MOUNTED POLES SHALL BE SET BACK 6 FT. FROM FACE OF CURB.
10. BRIDGE MOUNTED POLE SHALL BE 28 FT MOUNTING HEIGHT



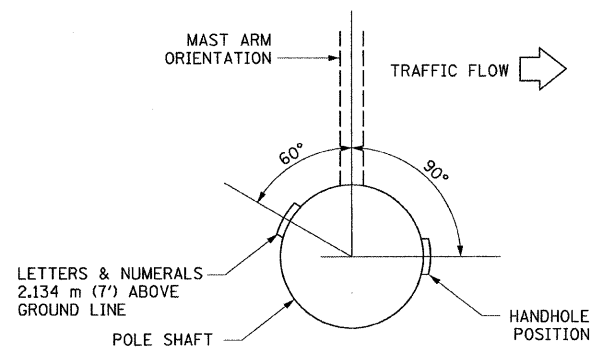
SINGLE ARM POLE



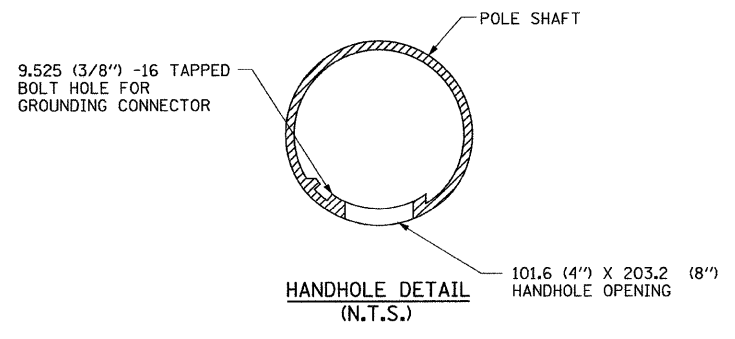
DAVIT ARM CONNECTION
[355.6 mm (14'') OVERLAP SHOWN]



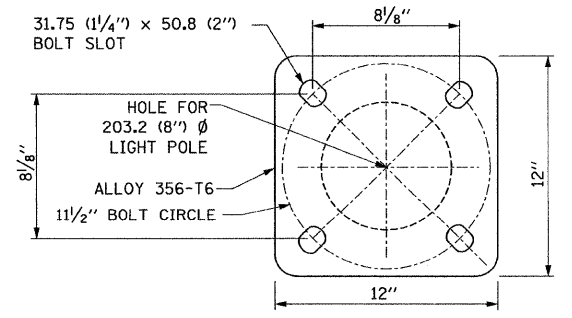
POSITION OF HANDHOLE AND POLE NUMBER FOR SINGLE MAST ARM POLES MOUNTED ON BRIDGE PARAPET OR BARRIER WALL



POSITION OF HANDHOLE AND POLE NUMBER FOR SINGLE MAST ARM POLES



HANDHOLE DETAIL (N.T.S.)



LIGHT POLE BASE PLATE DETAIL
(FOR POLE MOUNTED ON 292.0 mm (11 1/2 INCH) BOLT CIRCLE FOUNDATION)

REVISIONS		ILLINOIS DEPARTMENT OF TRANSPORTATION
NAME	DATE	
		EMERSON STREET OVER NORTH SHORE CHANNEL LIGHTING DETAILS

SCALE: NONE
DATE: 10-17-07
DRAWN BY: RV
DESIGNED BY: BL
CHECKED BY: KG



FILE# 10/17/2007

LTG-04