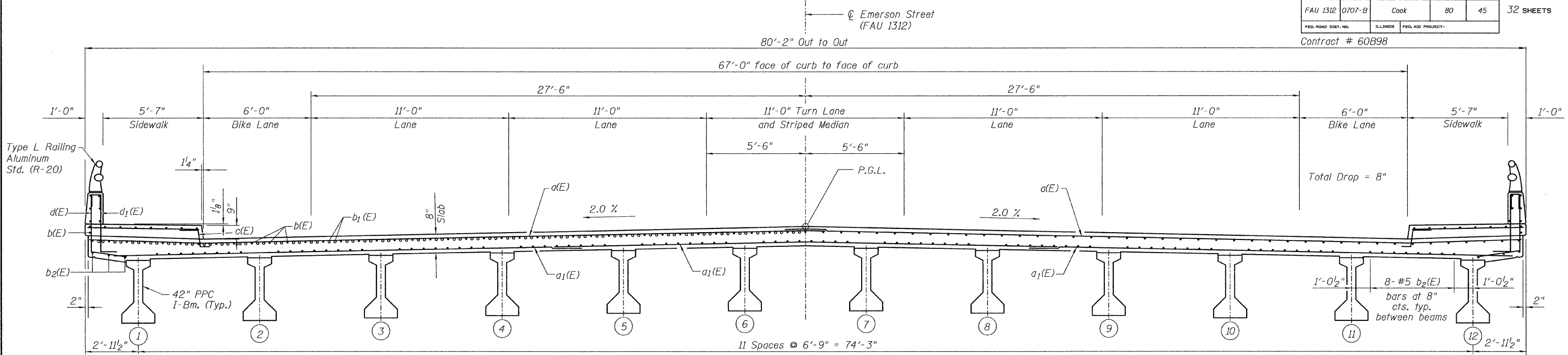


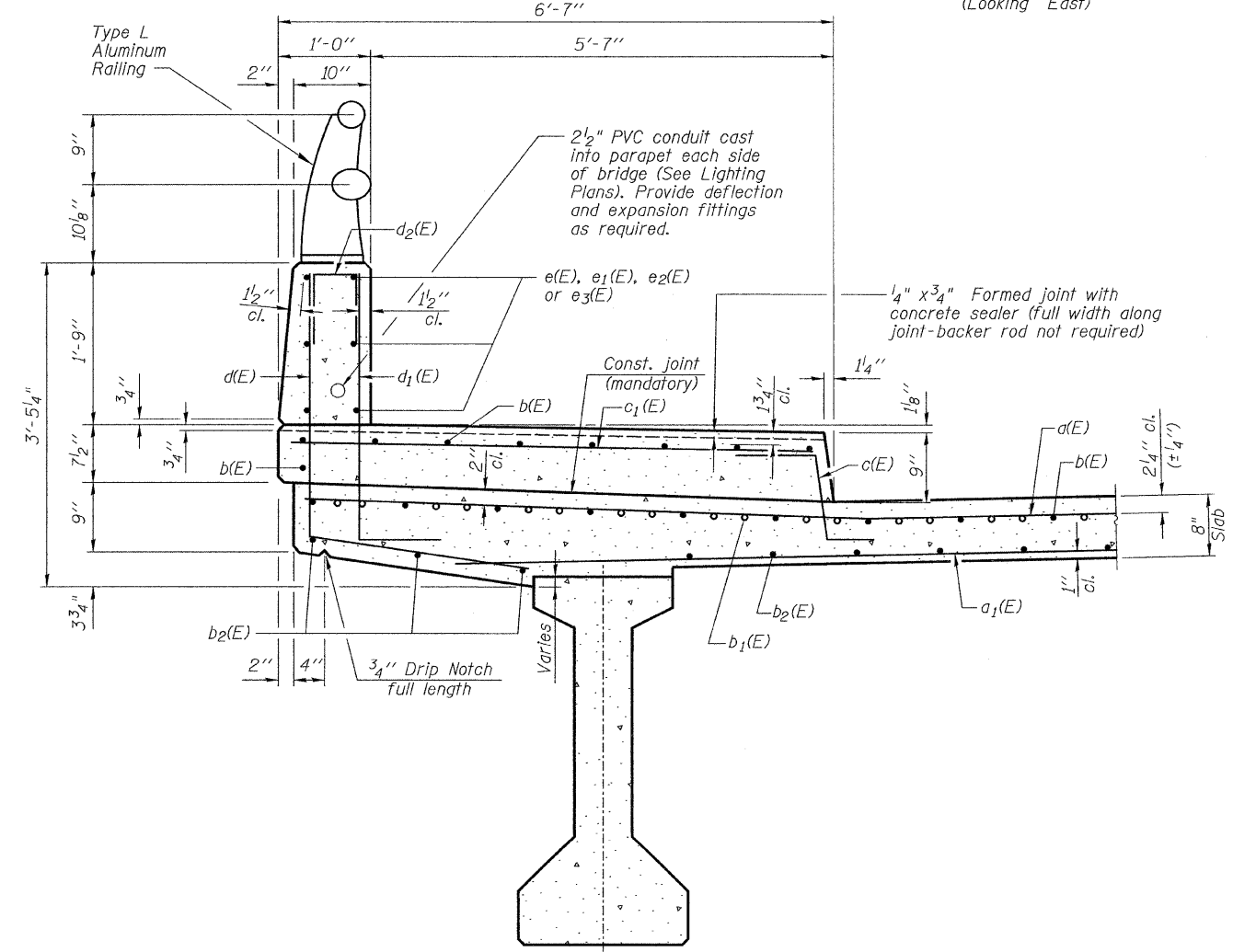
ROUTE NO.	SECTION	COUNTY	TOTAL SHEETS	SHEET NO.	SHEET NO. 11 32 SHEETS
FAU 1312	0707-B	Cook	80	45	
FED. ROAD DIST. NO.	ILLINOIS	FED. AID PROJECT-			



NEAR PIER

CROSS SECTION
(Looking East)

NEAR MIDSPAN



SECTION THRU SIDEWALK

Notes:
See Sheet 12 of 32 for parapet and sidewalk reinforcement.

DESIGNED	JJI
CHECKED	SRT
DRAWN	JSS
CHECKED	SRT

B Bollinger, Lach & Associates, Inc.

SUPERSTRUCTURE CROSS SECTIONS

EMERSON STREET OVER
NORTH SHORE CHANNEL
(PUBLIC BODY OF WATER)
F.A.U. ROUTE 1312 SECTION 0707-B
COOK COUNTY STA. 102+84.62
STRUCTURE NUMBER 016-2858