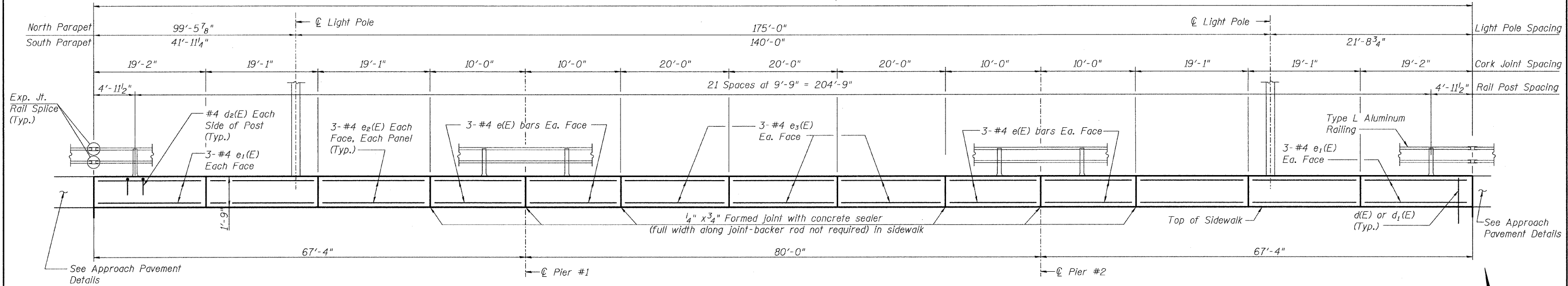


STATE OF ILLINOIS
DEPARTMENT OF TRANSPORTATION

ROUTE NO.	SECTION	COUNTY	TOTAL SHEETS	SHEET NO.	SHEET NO. 12 32 SHEETS
FAU 1312	0707-B	Cook	80	46	
FED. ROAD DIST. NO.		ILLINOIS	FED. AID PROJECT-		

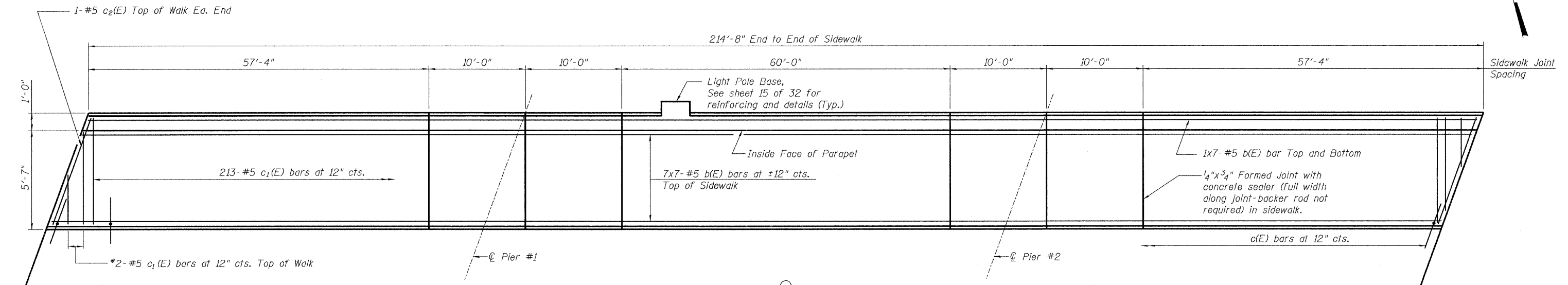
Contract # 60B98

214'-8" End to End Parapet



INSIDE ELEVATION OF NORTH PARAPET

(Outside Elevation South Parapet)
(All dimensions measured along front face)



* Order c₁(E) bars full length.
Cut to fit skew and use remainder
of bars in opposite end.

NORTH SIDEWALK PLAN

(South Sidewalk Similar)

Notes:
Bars indicated thus 7x7-#5 etc. indicates
7 lines of bars with 7 lengths per line.
Minimum lap #5 bar = 1'-8"
See sheet 10 of 32 for light pole base
locations.
See Lighting Plans for light pole details.

DESIGNED	SRT
CHECKED	JJI
DRAWN	JSS
CHECKED	JJI

B Bollinger, Lach & Associates, Inc.

SIDEWALK PLAN & PARAPET ELEVATION

EMERSON STREET OVER
NORTH SHORE CHANNEL
(PUBLIC BODY OF WATER)
F.A.U. ROUTE 1312 SECTION 0707-B
COOK COUNTY STA. 102+84.62
STRUCTURE NUMBER 016-2858