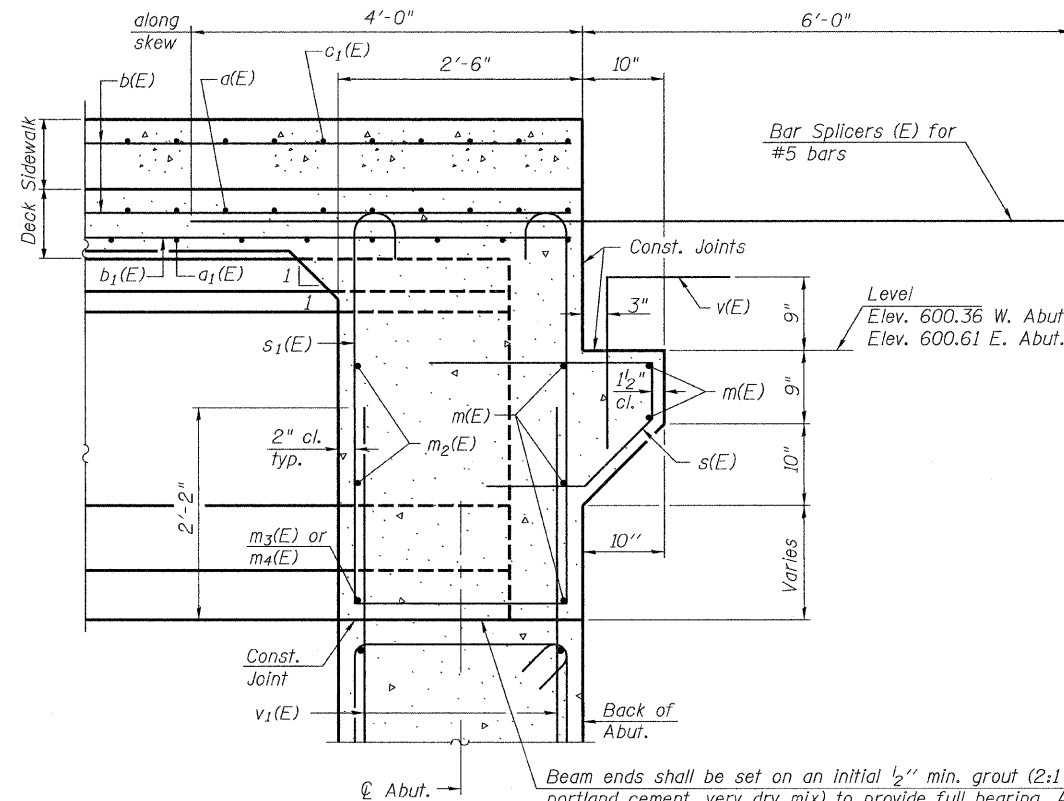


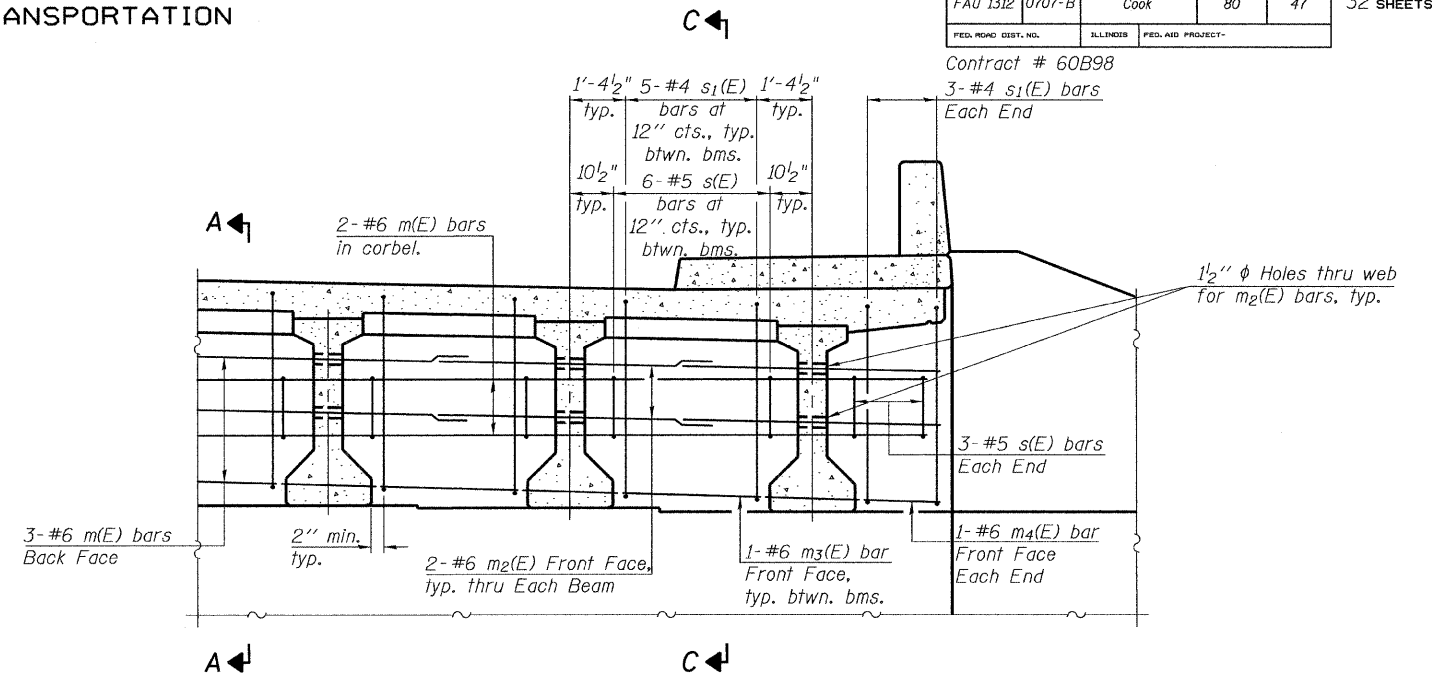
SECTION A-A

Dimensions at right angles to abutment, except as shown.



SECTION C-C

(At Sidewalk)
Dimensions at right angles to abutment, except as shown.



DIAPHRAGM ELEVATION AT ABUTMENT

MIN. BAR LAP

#6 bar = 2'-9"

Notes:

- Reinforcement bars in diaphragm are billed with superstructure on sheet 15 of 32.
- Concrete in diaphragm is included with Concrete Superstructure on sheet 15 of 32.
- For details of bars s(E) and s1(E) see sheet 15 of 32.
- The s(E) and s1(E) bars shall be placed parallel to the beams.
- Spacing for these bars shall be at right angles to the beams.
- See sheet 10 of 32 for location of Section A-A.

DESIGNED	SRT
CHECKED	JJI
DRAWN	JSS
CHECKED	JJI

Bollinger, Lach & Associates, Inc.

PI-2DDI 11-1-06

ABUTMENT DIAPHRAGM & DETAILS

EMERSON STREET OVER
NORTH SHORE CHANNEL
(PUBLIC BODY OF WATER)
F.A.U. ROUTE 1312 SECTION 0707-B
COOK COUNTY STA. 102+84.62
STRUCTURE NUMBER 016-2858