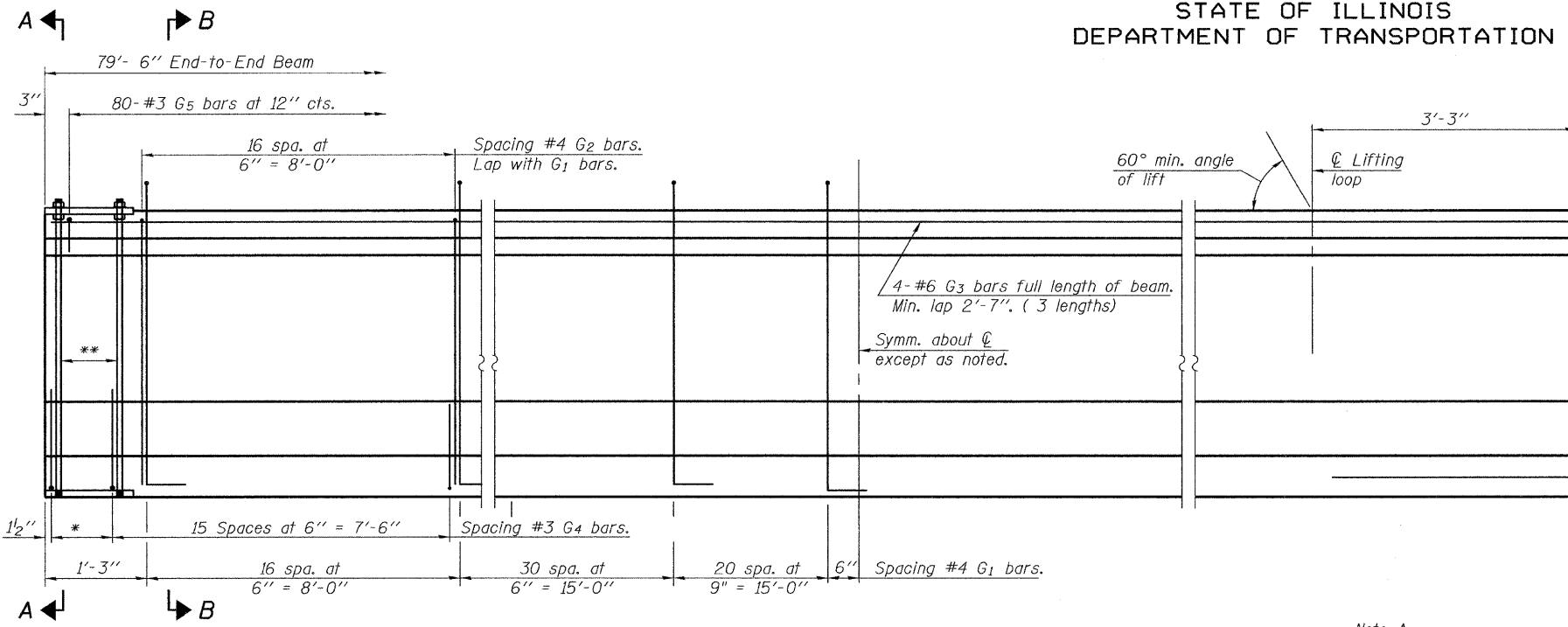


STATE OF ILLINOIS
DEPARTMENT OF TRANSPORTATION

ROUTE NO.	SECTION	COUNTY	TOTAL SHEETS	SHEET NO.	SHEET NO. 19 32 SHEETS
FAU 1312	0707-B	COOK	80	53	
FED. ROAD DIST. NO.		ILLINOIS	FED. AID PROJECT-		

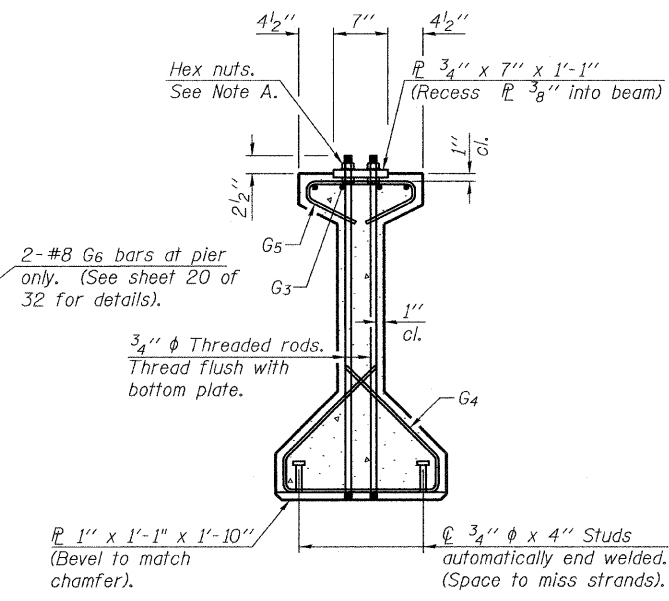
Contract # 60B98



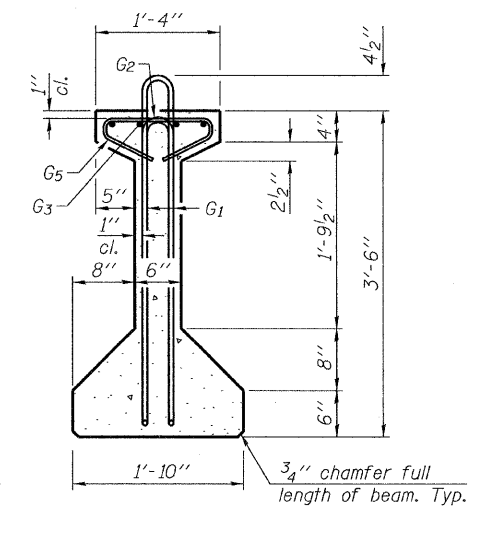
ELEVATION OF BEAM
(Showing reinforcement & dimensions)

* 3 spaces at 3" = 9".
** 4-3/4" φ threaded dowel rods at 3" cts., each face.

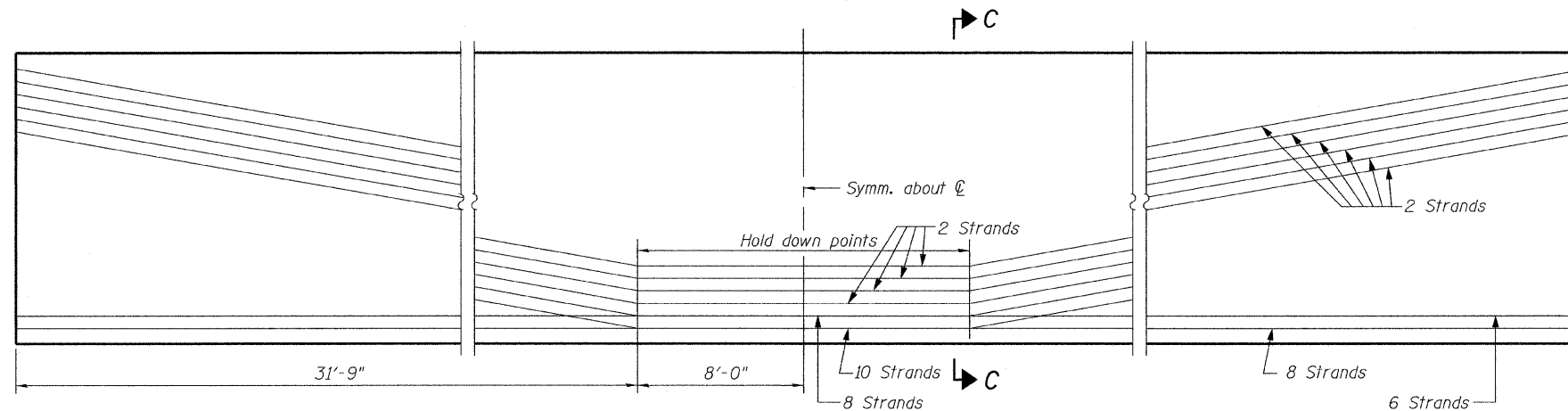
Note A:
Hex nuts (top and bottom) with lock washers (top). Only tighten sufficiently to compress lock washers.



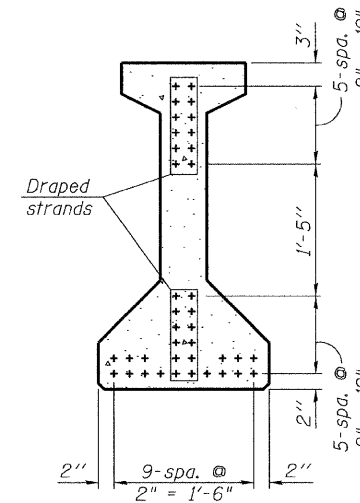
SECTION A-A



SECTION B-B



ELEVATION OF BEAM
(Showing prestressing steel)



SECTION C-C

***** BAR LIST
ONE BEAM ONLY**

Bar	No.	Size	Length	Shape
G1	134	#4	8'-5"	⊏
G2	34	#4	6'-8"	⊏
G3	12	#6	28'-3"	⊏
G4	38	#3	4'-11"	⊏
G5	80	#3	2'-6"	⊏
G6	4	#8	3'-9"	⊏

*** For information only

Notes:
See sheet 20 of 32 for additional details and Bill of Material.
Required release strength, f'_{ci} , shall be 5000 psi.

DESIGNED	JJI
CHECKED	SRT
DRAWN	JSS
CHECKED	SRT

B Bollinger, Lach & Associates, Inc.

PI-4-42 12-21-06

42" PPC I-BEAM (SPAN 2)

EMERSON STREET OVER
NORTH SHORE CHANNEL
(PUBLIC BODY OF WATER)
F.A.U. ROUTE 1312 SECTION 0707-B
COOK COUNTY STA. 102+84.62
STRUCTURE NUMBER 016-2858