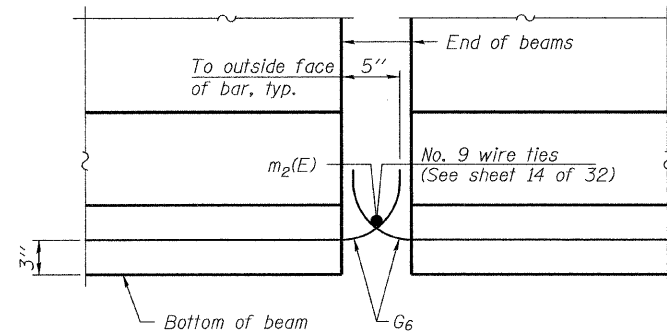


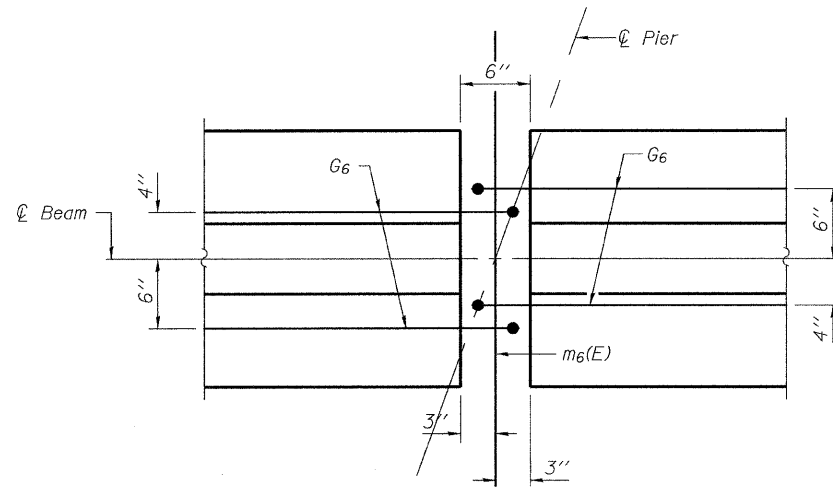
STATE OF ILLINOIS  
DEPARTMENT OF TRANSPORTATION

ROUTE NO.	SECTION	COUNTY	TOTAL SHEETS	SHEET NO.	SHEET NO. 20
FAU 1312	0707-B	Cook	80	54	32 SHEETS
FED. ROAD DIST. NO.		ILLINOIS	FED. AID PROJECT-		

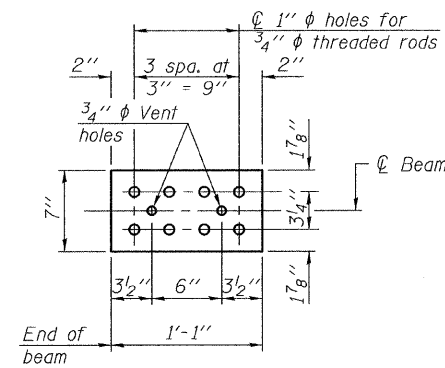
Contract # 60B98



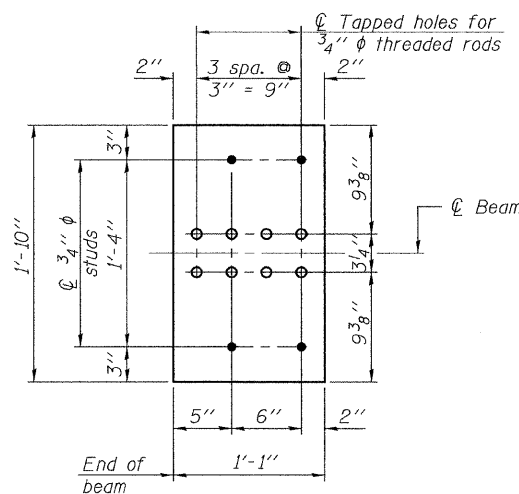
ELEVATION OF BEAM AT PIER



PLAN OF BEAM AT PIER

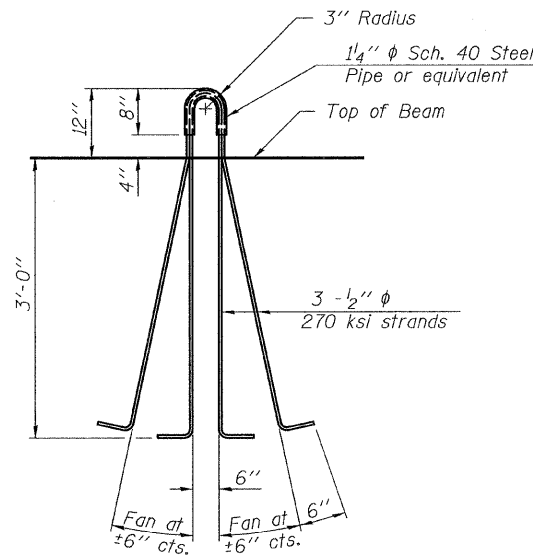


TOP PLATE

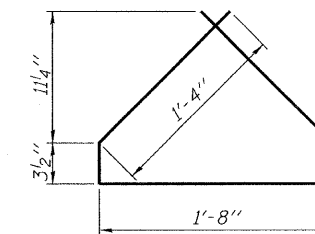


BOTTOM PLATE

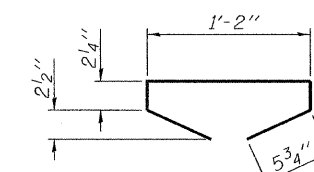
See bearing details for pindle hole locations when required.



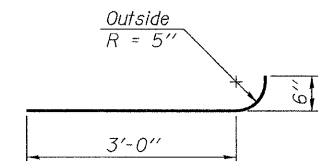
LIFTING LOOP DETAIL



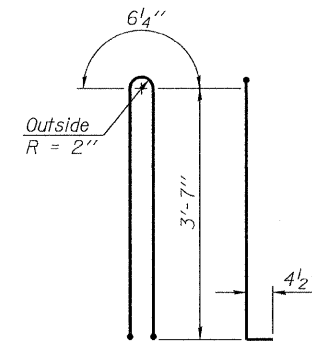
BAR G4



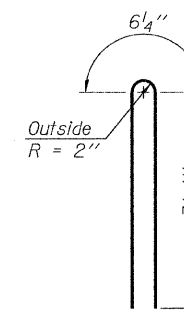
BAR G5



BAR G6



BAR G1



BAR G2

BILL OF MATERIAL

Item	Unit	Total
Furnishing and Erecting Precast Prestressed Concrete I-Beams, 42"	Ft.	2544

42" PPC I-BEAM DETAILS

EMERSON STREET OVER  
NORTH SHORE CHANNEL  
(PUBLIC BODY OF WATER)  
F.A.U. ROUTE 1312 SECTION 0707-B  
COOK COUNTY STA. 102+84.62  
STRUCTURE NUMBER 016-2858

DESIGNED	JJI
CHECKED	SRT
DRAWN	JSS
CHECKED	SRT

**BL** Bollinger, Lach & Associates, Inc.

PI-4-42D 12-21-06