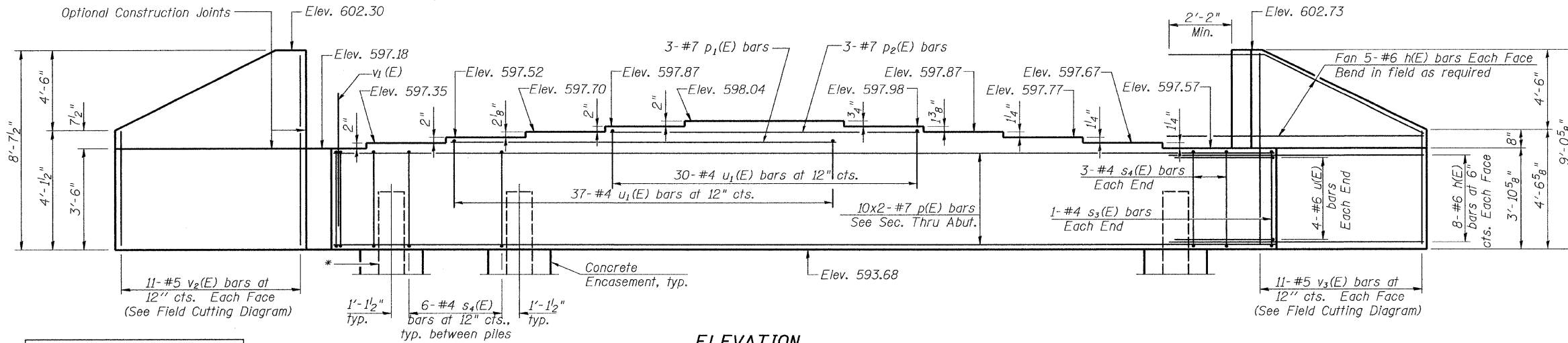


STATE OF ILLINOIS
DEPARTMENT OF TRANSPORTATION

ROUTE NO.	SECTION	COUNTY	TOTAL SHEETS	SHEET NO.
FAU 1312	0707B	Cook	80	55
FED. ROAD DIST. NO.		ILLINOIS	FED. AID PROJECT-	

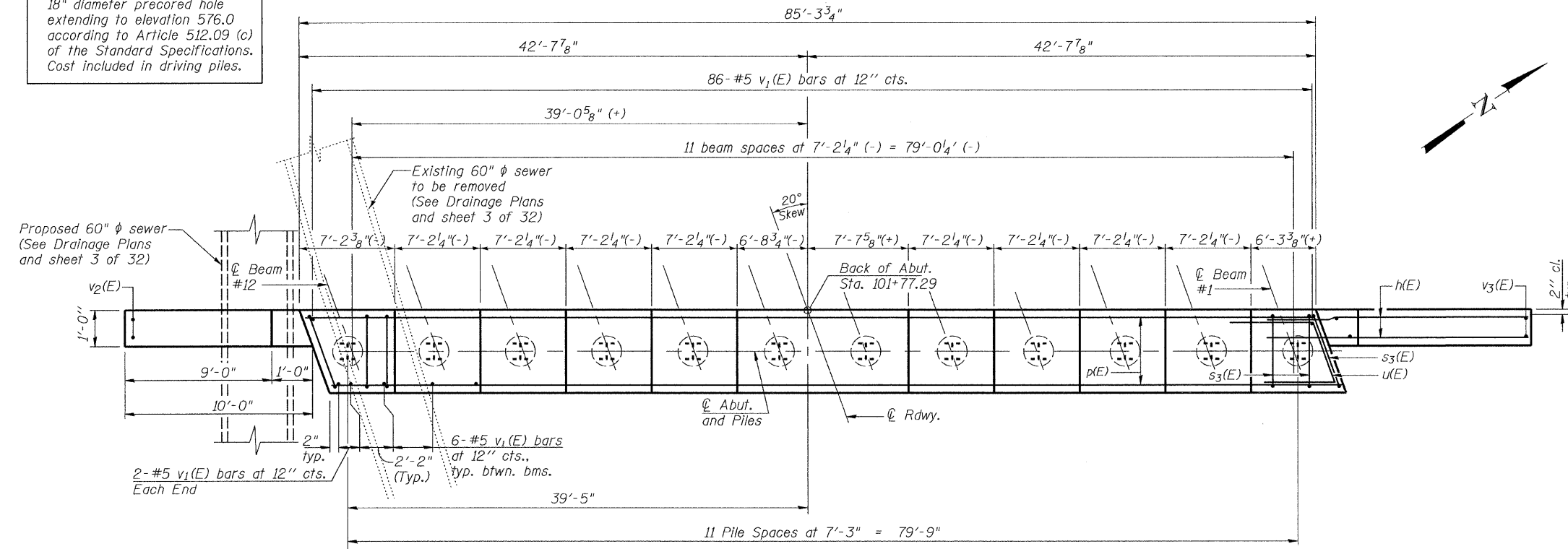
Contract # 60B98

Notes: Four steps monolithically with cap.



ELEVATION

* Precore pile location adjacent to proposed 60" ϕ sewer. Pile shall be driven through an 18" diameter precored hole extending to elevation 576.0 according to Article 512.09 (c) of the Standard Specifications. Cost included in driving piles.



PLAN

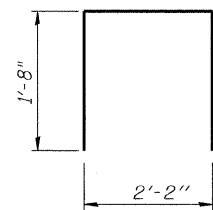
PILE DATA

Type: Steel HP 14x89
Nominal Required Bearing: 705 kips
Factored Resistance Available: 235 kips
Est. Length: 95 feet
No. Production Piles: 11
No. Test Piles: 1

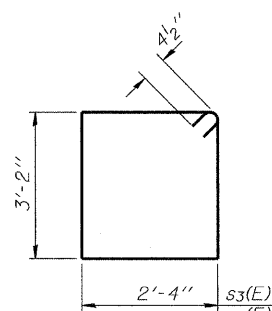
DESIGNED	SRT
CHECKED	JJI
DRAWN	JSS
CHECKED	JJI

B Bollinger, Lach & Associates, Inc.

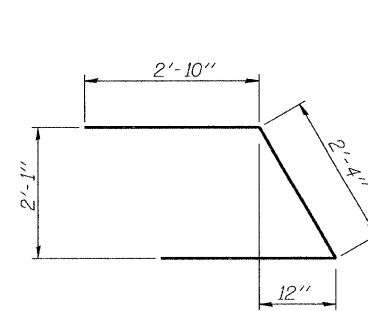
AI-L 11-1-06



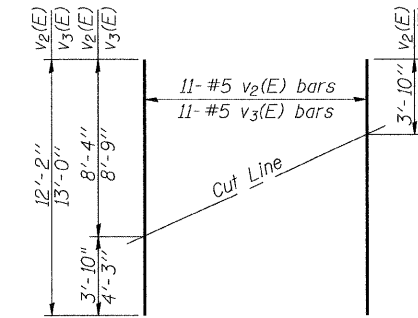
BAR u₁(E)



BARS s₃(E) & s₄(E)

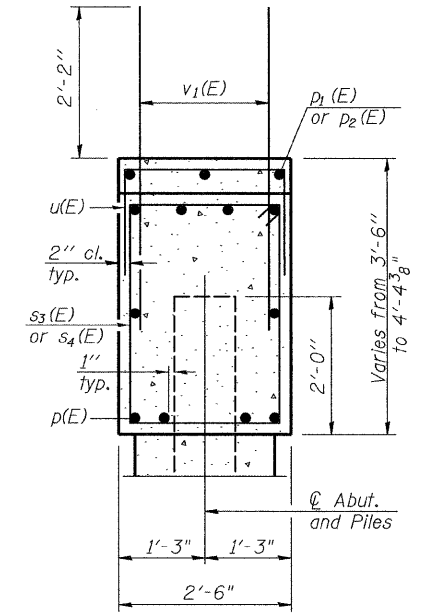


BAR u(E)



FIELD CUTTING DIAGRAM

Order v₂(E) and v₃(E) Full length. Cut as shown and use remainder of bars in opposite face.



SEC. THRU ABUT.

BILL OF MATERIAL

Bar	No.	Size	Length	Shape
h(E)	52	#6	13'-2"	
p(E)	20	#7	44'-6"	
p ₁ (E)	3	#7	35'-9"	
p ₂ (E)	3	#7	28'-6"	
s ₃ (E)	2	#4	11'-9"	
s ₄ (E)	72	#4	11'-5"	
u(E)	8	#6	8'-0"	
u ₁ (E)	67	#4	5'-6"	
v ₁ (E)	156	#5	4'-4"	
v ₂ (E)	11	#5	12'-2"	
v ₃ (E)	11	#5	13'-0"	
Structure Excavation		Cu. Yd.	185	
Concrete Structures		Cu. Yd.	36.6	
Reinforcement Bars, Epoxy Coated		Pound	5150	
Furnishing-Steel Piles, HP 14x89		Foot	1045	
Driving Piles		Foot	1045	
Test Pile, HP 14x89		Each	1	
Concrete Encasement		Cu. Yd.	6.7	
Pile Shoes		Each	12	

For details of piles and Concrete Encasement, see sheet 26 of 32.
Bars indicated thus 9x2 - #7 etc. indicates 9 lines of bars with 2 lengths per line.
Minimum lap #7 bar = 3'-10".

WEST ABUTMENT

EMERSON STREET OVER
NORTH SHORE CHANNEL
(PUBLIC BODY OF WATER)
F.A.U. ROUTE 1312 SECTION 0707-B
COOK COUNTY STA. 102+84.62
STRUCTURE NUMBER 016-2858