

STATE OF ILLINOIS  
DEPARTMENT OF TRANSPORTATION

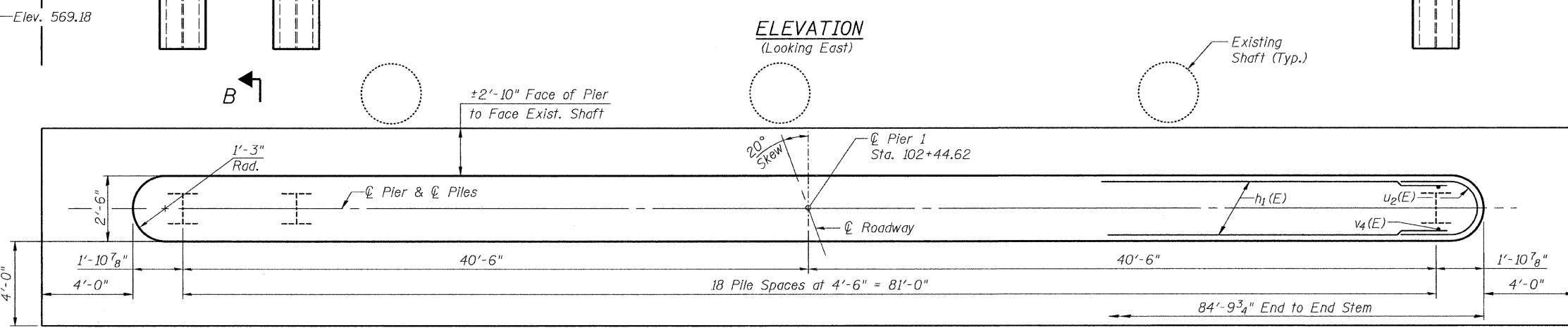
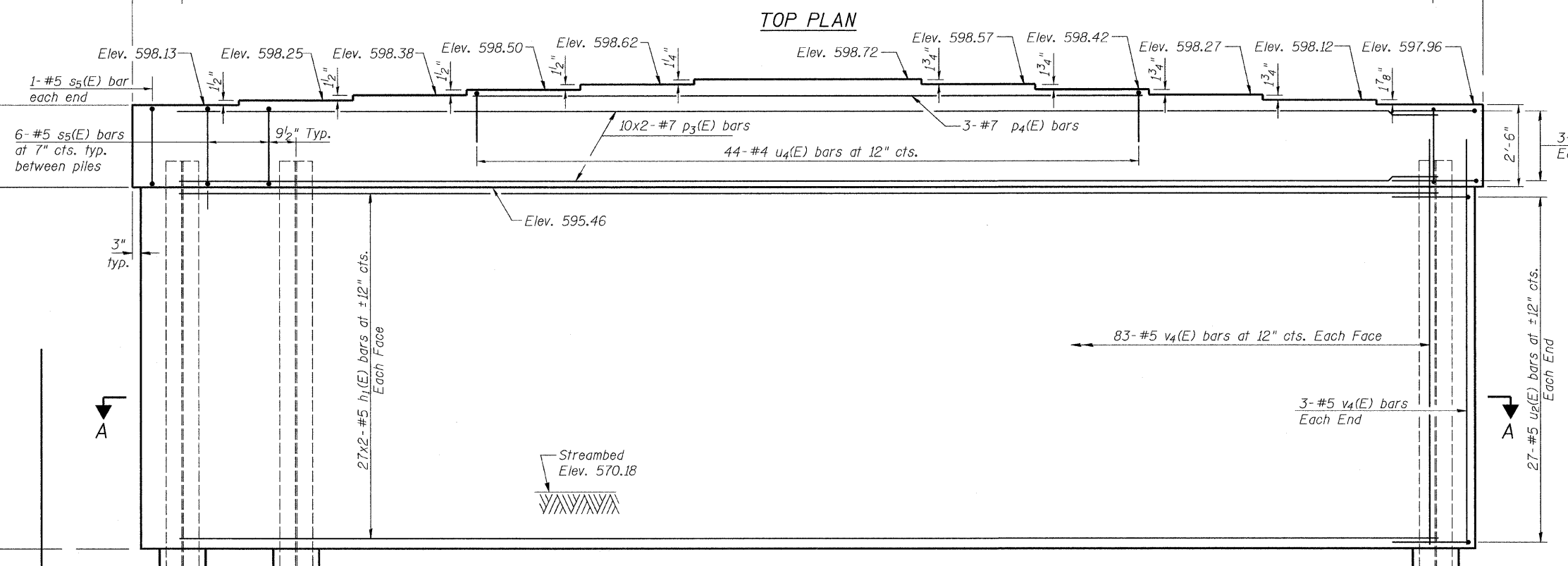
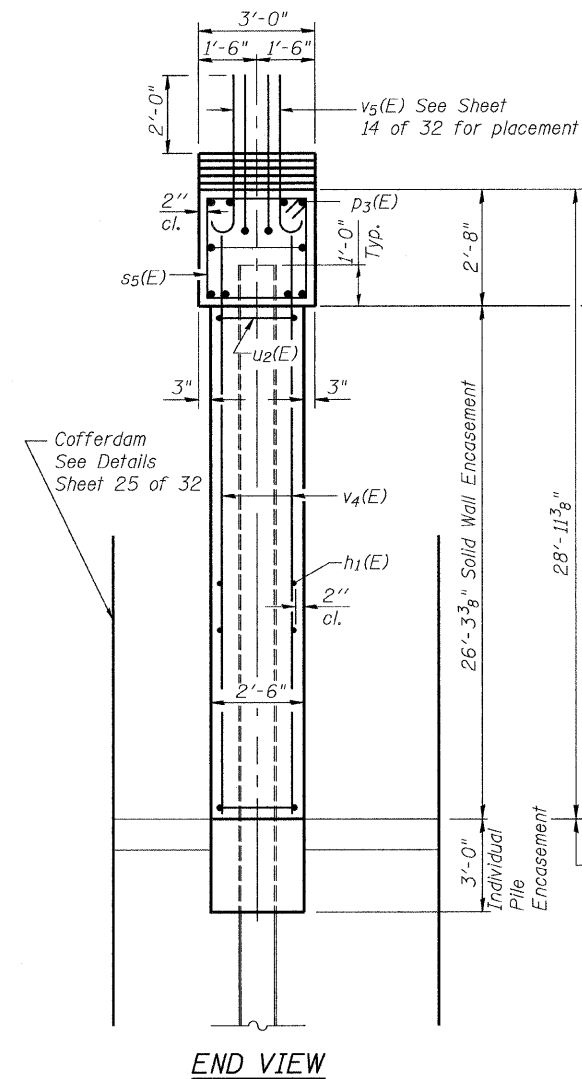
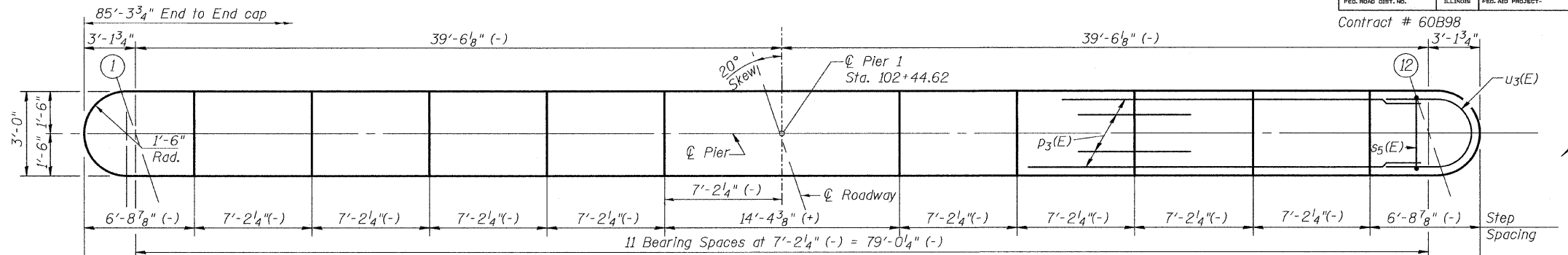
ROUTE NO.	SECTION	COUNTY	TOTAL SHEETS	SHEET NO.	SHEET NO. 23 32 SHEETS
FAU 1312	0707-B	Cook	80	57	
FED. ROAD DIST. NO.		ILLINOIS	FED. AID PROJECT-		

Contract # 60B98

Notes:  
Space reinforcement in cap to miss anchor bolts.  
Pour steps monolithically with cap.  
For details of piles, see sheet 26 of 32.  
For Anchor Bolt Layout, see sheet 25 of 32.  
Bars indicated thus 27 x 2-#5 etc. indicates 27 lines of bars with 2 lengths per line.  
Minimum Lap #5 bar = 2'-5"  
Minimum Lap #7 bar = 3'-10"  
For Bill of Material see sheet 25 of 32.

**PILE DATA**

Type: Steel HP 14x89  
Nominal Required Bearing: 705 kips  
Factored Resistance Available: 235 kips  
Est. Length: 96 feet  
No. Production Piles: 18  
No. Test Piles: 1



DESIGNED	JJI
CHECKED	SRT
DRAWN	JSS
CHECKED	SRT
PC-1	

**Bollinger, Lach & Associates, Inc.**

11-1-06

**PIER 1**  
EMERSON STREET OVER  
NORTH SHORE CHANNEL  
(PUBLIC BODY OF WATER)  
F.A.U. ROUTE 1312 SECTION 0707-B  
COOK COUNTY STA. 102+84.62  
STRUCTURE NUMBER 016-2858