

F.A.P. RTE.	SECTION	COUNTY	TOTAL SHEETS	SHEET NO.
374	211-K-V-X-B	COOK	38	6
STA.		TO STA.		
FED. ROAD DIST. NO. 1		ILLINOIS FED. AID PROJECT		

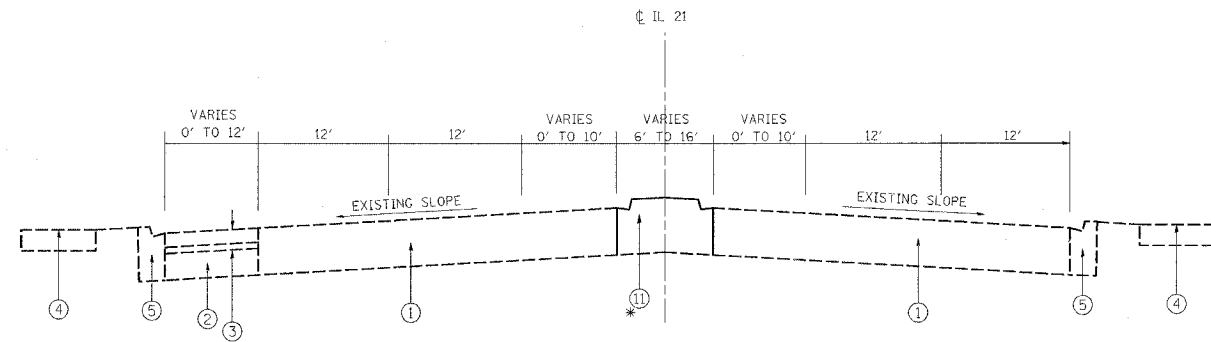
LEGEND

- ① EXISTING PCC BASE COURSE, 10''(±)
- ② EXISTING BASE COURSE
- ③ EXISTING HOT-MIX ASPHALT SURFACE COURSE
- ④ EXISTING PCC SIDEWALK, 5''
- ⑤ EXISTING COMBINATION CONC. CURB & GUTTER, TYPE B-6.24
- ⑥ EXISTING CRUSHED STONE
- ⑦ EXISTING PC CONCRETE CURB
- ⑧ EXISTING CONCRETE MEDIAN SURFACE
- ⑨ PROPOSED CONCRETE CURB AND GUTTER, TYPE B-9.12
- ⑩ PROPOSED CONCRETE MEDIAN SURFACE, 4''
- ⑪ PROPOSED CONCRETE MEDIAN TYPE SB-9.12
- ⑫ PROP. DRILL AND GROUT #4 TIE BAR, SHAPE (24'' C-C), COST INCLUDED IN CONCRETE CURB AND GUTTER, TYPE B-9.12 PAY ITEM
- ⑬ PROP. COARSE AGGREGATE - FILL TO SUBGRADE (TYP.) COST INCLUDED IN CONC. MEDIAN SURFACE 4'' PAY ITEM
- ⑭ PROP. 5/8'' PREFORMED EXPANSION JOINT FILLER - COST INCLUDED IN CONCRETE CURB AND GUTTER, TYPE B-9.12 PAY ITEM

R - DESIGNATED FOR REMOVAL

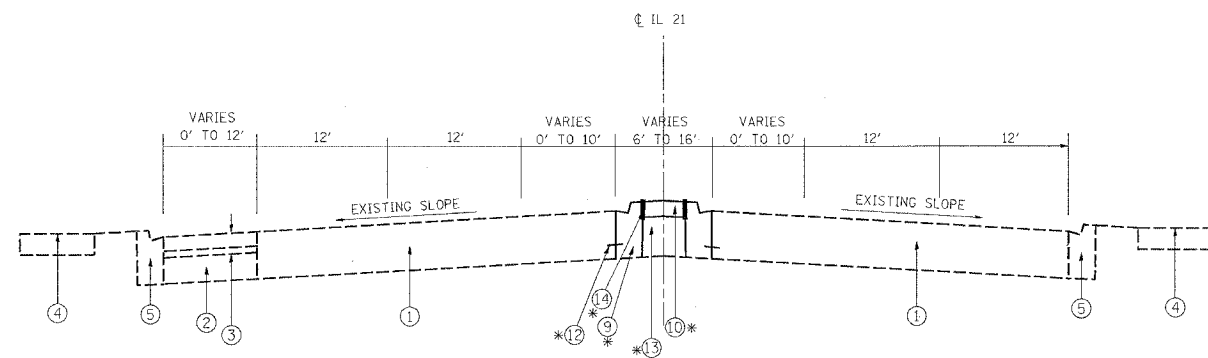
NOTES:

- * PROPOSED MEDIAN SHALL BE CONSTRUCTED AFTER STAGED CONSTRUCTION AND TEMPORARY PAVEMENT HAS BEEN REMOVED.



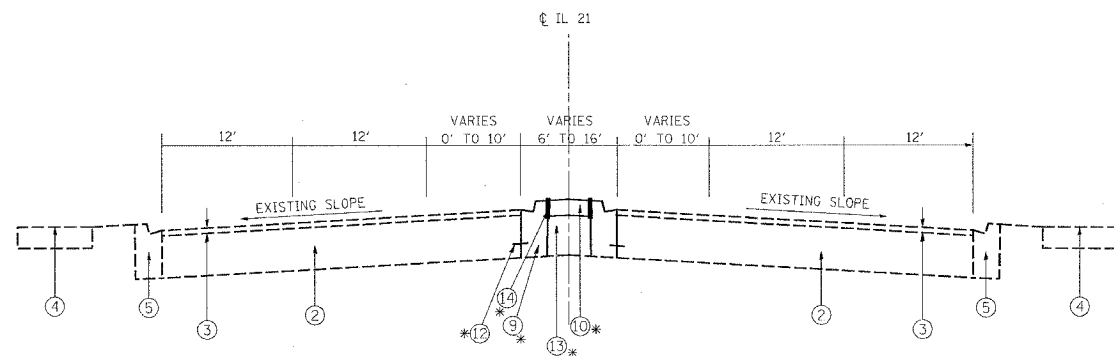
PROPOSED TYPICAL SECTION
IL 21

STATION
23+00 TO 26+29



PROPOSED TYPICAL SECTION
IL 21

STATION
26+29 TO 28+29
33+13 TO 33+82



PROPOSED TYPICAL SECTION
IL 21

STATION
33+82 TO 36+60

REVISIONS		ILLINOIS DEPARTMENT OF TRANSPORTATION
NAME	DATE	
		TYPICAL SECTIONS

SCALE: VERT. _____
HORIZ. _____

DATE _____ DRAWN BY _____
CHECKED BY _____

PLOT DATE = 7/23/2007
FILE NAME = c:\projects\ad15407\design\ae.dgn
PLOT SCALE = 80.0000 / 1
USER NAME = smphl