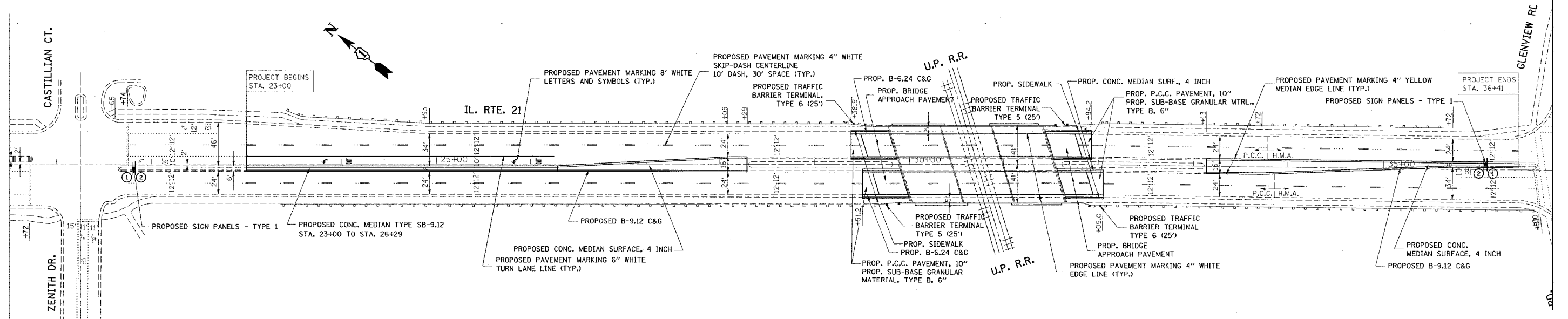
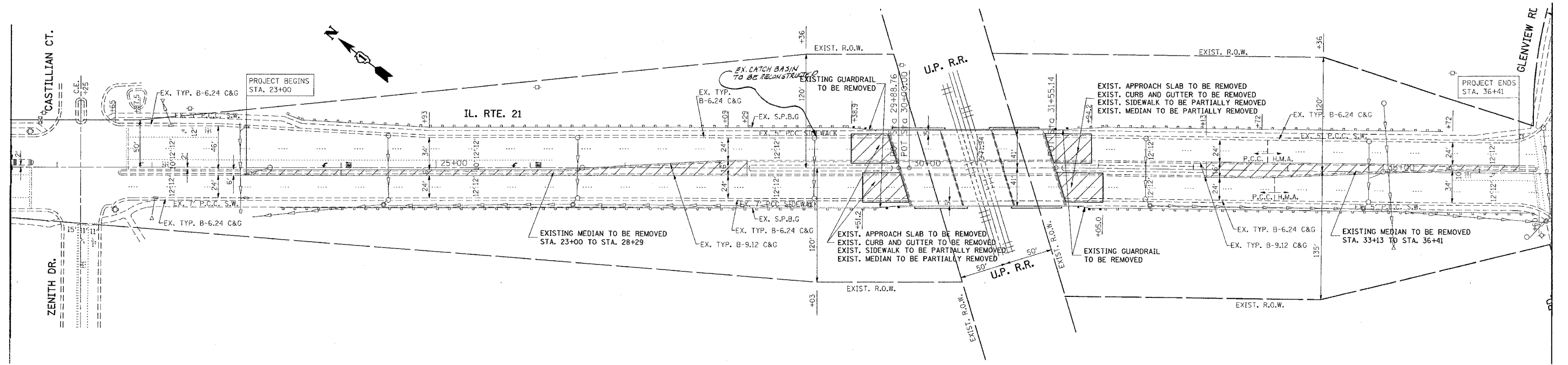
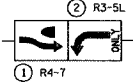


F.A.P. No.	SECTION	COUNTY	TOTAL SHEETS	SHEET NO.
374	211-K-V-X-B	COOK	38	9
STA. TO STA.		ILLINOIS FED. AID PROJECT		
FED. ROAD DIST. NO. 1				



PLOT DATE = 8/28/2007
 FILE NAME = c:\projects\1116487\design\edgn
 USER NAME = smt881



REVISIONS	
NAME	DATE

ILLINOIS DEPARTMENT OF TRANSPORTATION
 EXISTING AND PROPOSED ROADWAY
 AND PAVEMENT MARKING PLAN
 IL. RTE. 21 (MILWAUKEE AVE.) OVER
 UNION PACIFIC RAILROAD
 S.N. 016-0243
 SCALE: VERT. 1"=50'
 HORIZ. DATE DATE DRAWN BY CHECKED BY

Rev. Sheet R2
 9-5-07