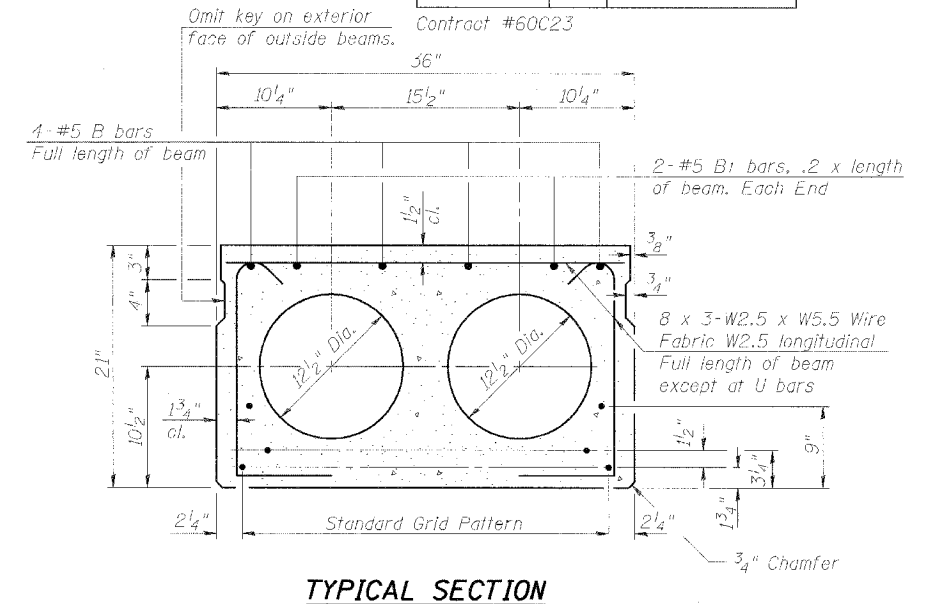
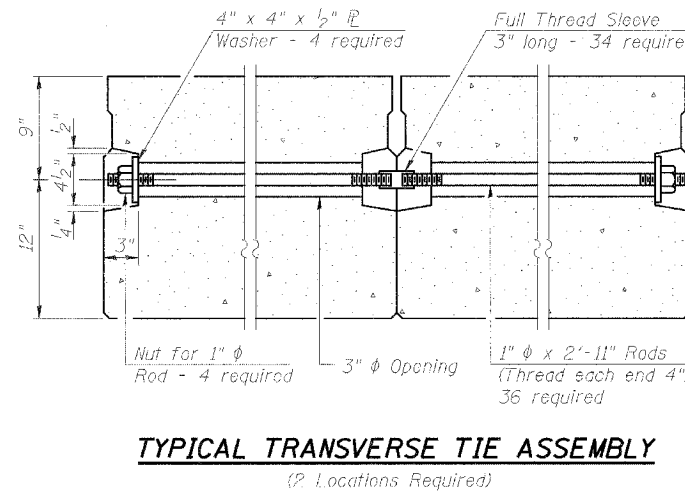
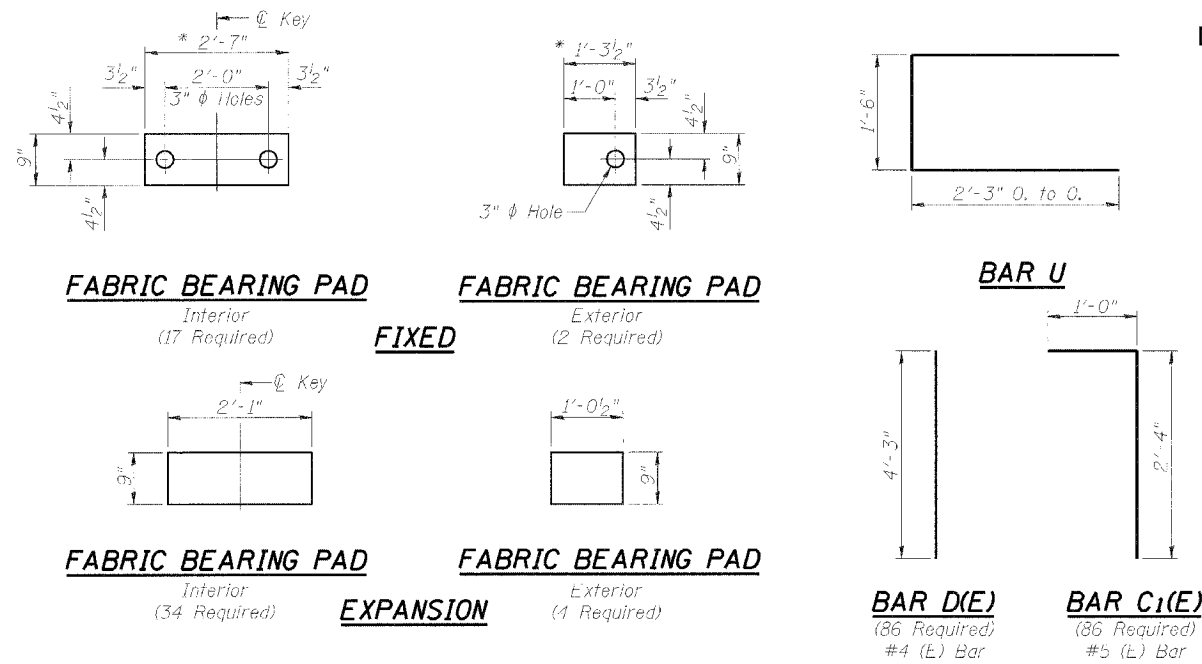


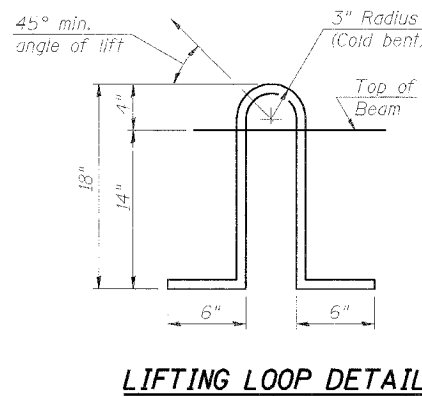
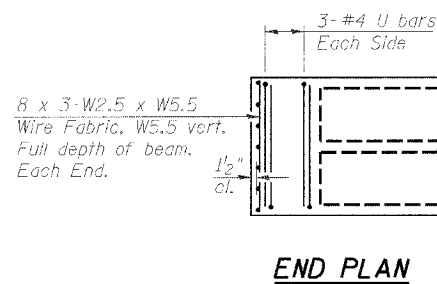
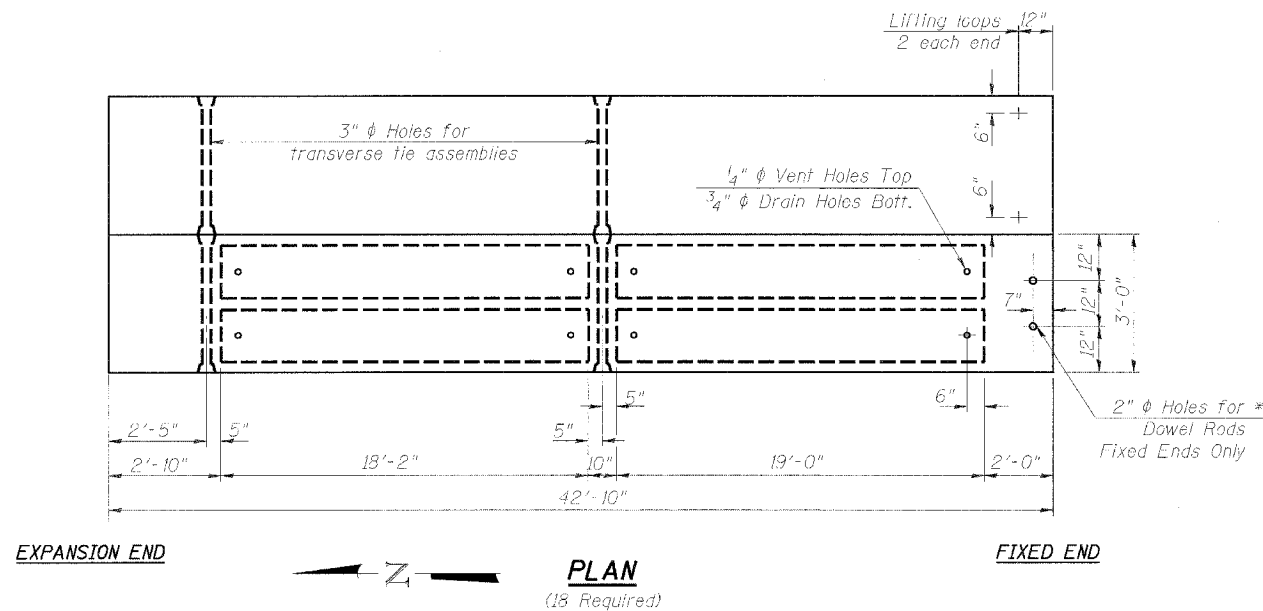
STATE OF ILLINOIS  
DEPARTMENT OF TRANSPORTATION

ROUTE NO.	SECTION	COUNTY	SHEET NO.	SHEET NO.
3887	AR-B	KANE	43	23
FED. ROAD DIST. NO. 7		BLDG. NO.	FED. AID PROJECT	

Contract #60C23



\* Dowel hole spacing is non-standard to miss existing dowel rods in existing abutment.



**NOTES**

- Prestressing steel shall be uncoated high strength, low relaxation 7-wire strand, Grade 270.
- The nominal diameter shall be 1/2" and the nominal cross-sectional area shall be 0.153 sq. in.
- Lifting loops shall be 2 - 1/2" φ - 270 ksi strands, as shown.
- Non prestressing steel shall conform to ASTM A706 (IL MOD), Grade 60. See Special Provisions.
- The bearing seat surfaces shall be adjusted by shimming to assure firm and even bearing. Two 1/8" fabric adjusting shims of the dimensions of the Exterior Bearing Pad shall be provided for each bearing.
- Keyway surfaces shall be cleaned to remove form oil or other bond breaking material prior to shipment of the beams. Cleaning shall be done by sandblasting the keyway areas between top of the beam and the bottom edge of the key.
- Corrosion inhibitor, as covered in the Standard Specifications, shall be used in the concrete for precast prestressed concrete deck beams.
- Required Release Strength, f'ci, shall be 4,000 p.s.i.
- See Sht. 11 of 16 for location of D(E) and C1(E) bars cast into Exterior Deck Beams.

**BILL OF MATERIAL**

Item	Unit	Quantity
Precast Prestressed Concrete Deck Beams (21" Depth)	Sq. Ft.	2,315

**SUPERSTRUCTURE DETAILS**  
**F.A.U. 3887 (IL 31)**  
**OVER MILL CREEK**  
**SECTION AR-B**  
**KANE COUNTY STA. 187+31.80**  
**STRUCTURE NO. 045-0020**

DESIGNED	11V
CHECKED	DDB
DRAWN	MGM
CHECKED	LLV

**STS CONSULTANTS**  
111 NE Jefferson Ave.  
Peoria, Illinois 61602  
Ph: (309) 676-8464  
FAX: (309) 676-5445  
IL Design Firm Reg. No. 184-001518