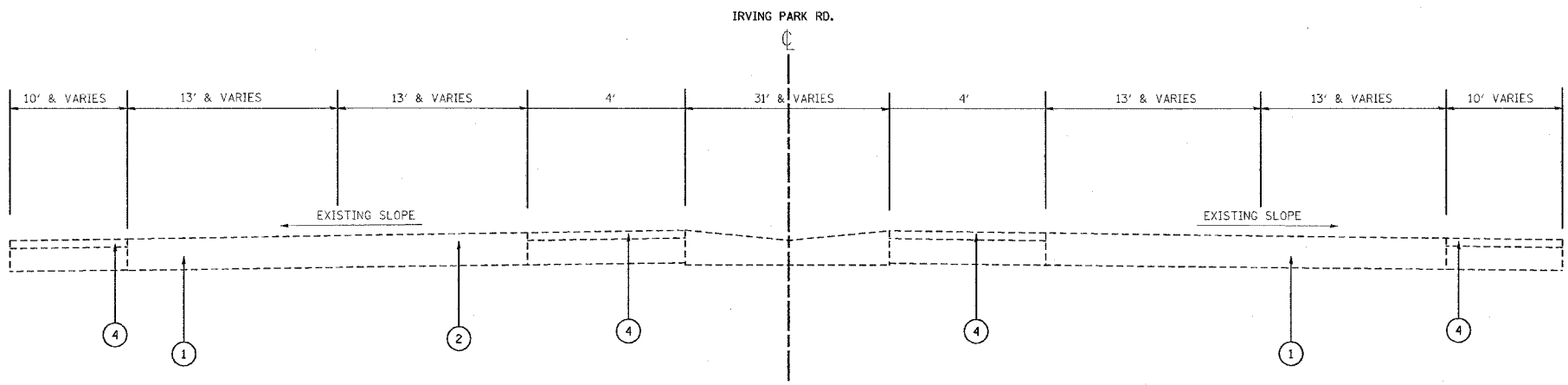


F.A.P. RTE.	SECTION	COUNTY	TOTAL SHEETS	SHEET NO.
345	3058(A,B,C)RS-1	COOK	51	10
STA.		TO STA.		
FED. ROAD DIST. NO.	ILLINOIS	FED. AID PROJECT		

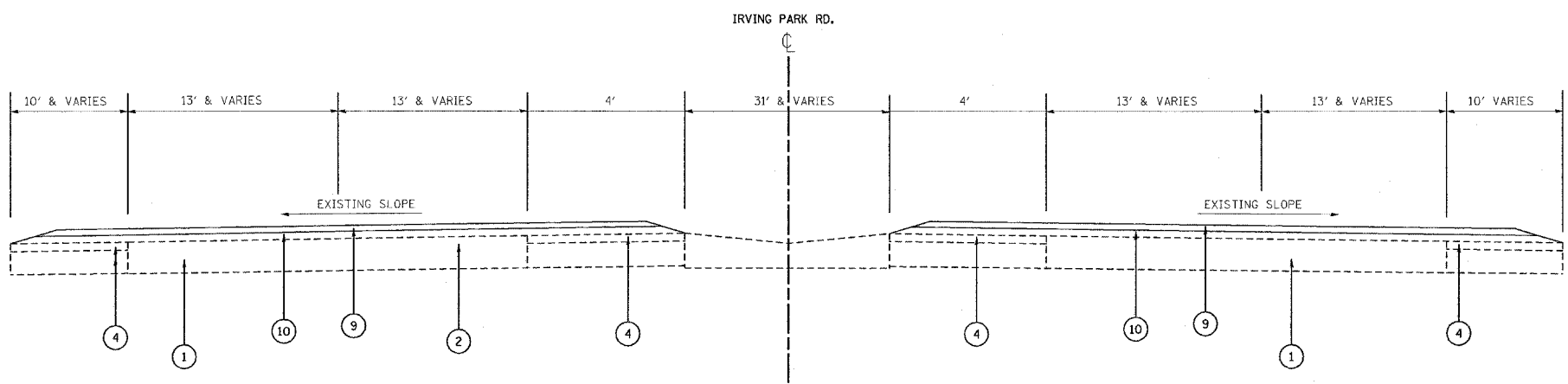
CONTRACT # 60C52

LEGEND

- ① EXISTING P.C.C. PAVEMENT, 10"±
- ② EXISTING HMA SURFACE 3"±
- ③ EXISTING AGGREGATE SHOULDER
- ④ EXISTING HMA SHOULDER
- ⑤ EXISTING COMBINATION CONCRETE CURB AND GUTTER
- ⑥ EXISTING CONCRETE MEDIAN
- ⑦ EXISTING CORRUGATED MEDIAN
- ⑧ PROPOSED HMA SURFACE REMOVAL, 2 1/2"
- ⑨ PROPOSED POLYMERIZED HMA SURFACE COURSE, MIX "F", N90, 1 3/4"
- ⑩ PROPOSED POLYMERIZED LEVELING BINDER (MACHINE METHOD), IL-4.75, N50, 3/4"
- ⑪ PROPOSED AGGREGATE WEDGE SHOULDER, TYPE B



EXISTING TYPICAL CROSS SECTION
STA. 34+06 TO STA. 37+81



PROPOSED TYPICAL CROSS SECTION
STA. 34+06 TO STA. 37+81

REVISIONS	
NAME	DATE

ILLINOIS DEPARTMENT OF TRANSPORTATION
TYPICAL SECTIONS
ILL 19
W OF O/HARE CARGO RD. TO
DES PLAINES RIVER
 SCALE: VERT. NONE
 HORIZ. NONE
 DATE 11/5/2007
 DRAWN BY C.A.D.D.
 CHECKED BY

11/5/2007 c:\p\projects\123807\design\c.dgn