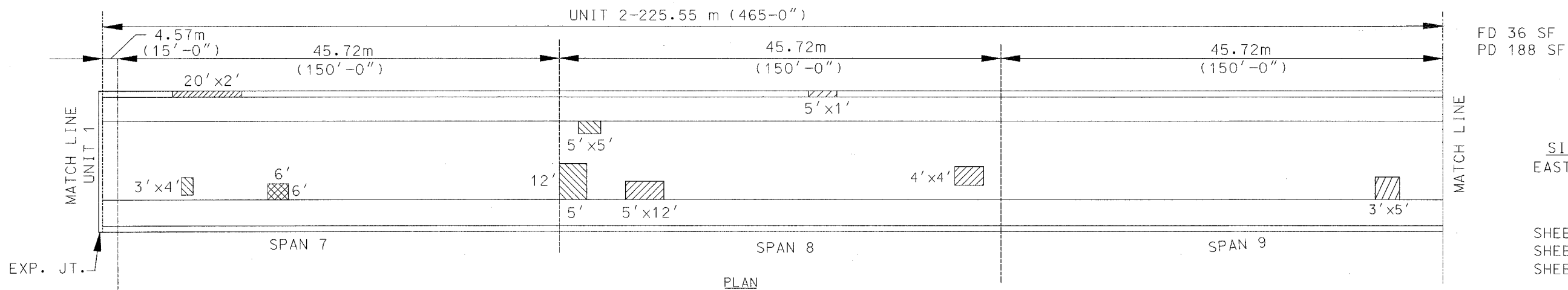
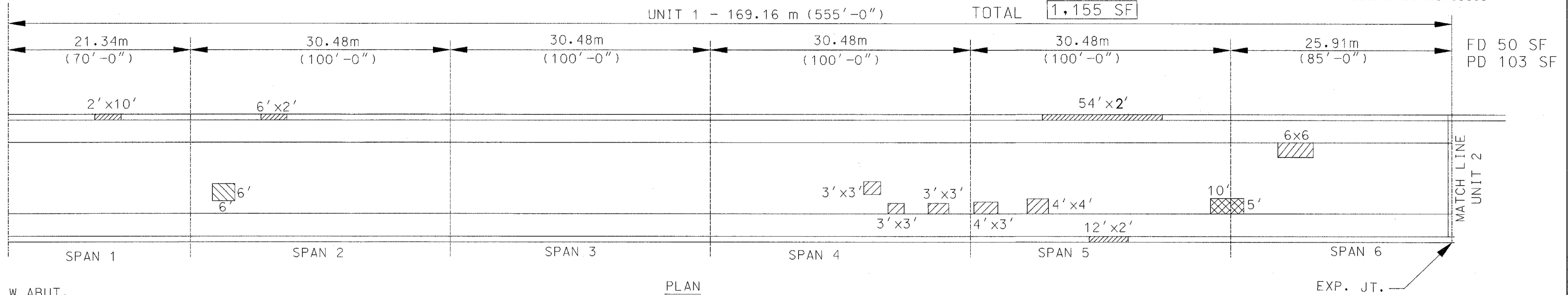


PARAPET REPAIR:
 (STRUCTURAL REPAIR OF CONCRETE LESS THAN 5")
 SHEET 10 = 288 SF
 SHEET 11 = 517 SF
 SHEET 12 = 350 SF
 TOTAL 1,155 SF

F.A.P. RTE.	SECTION	COUNTY	TOTAL SHEETS	SHEET NO.
351	2007-025-1	WILL	18	10
STA.		TO STA.		
FED. ROAD DIST. NO.		ILLINOIS	FED. AID PROJECT	

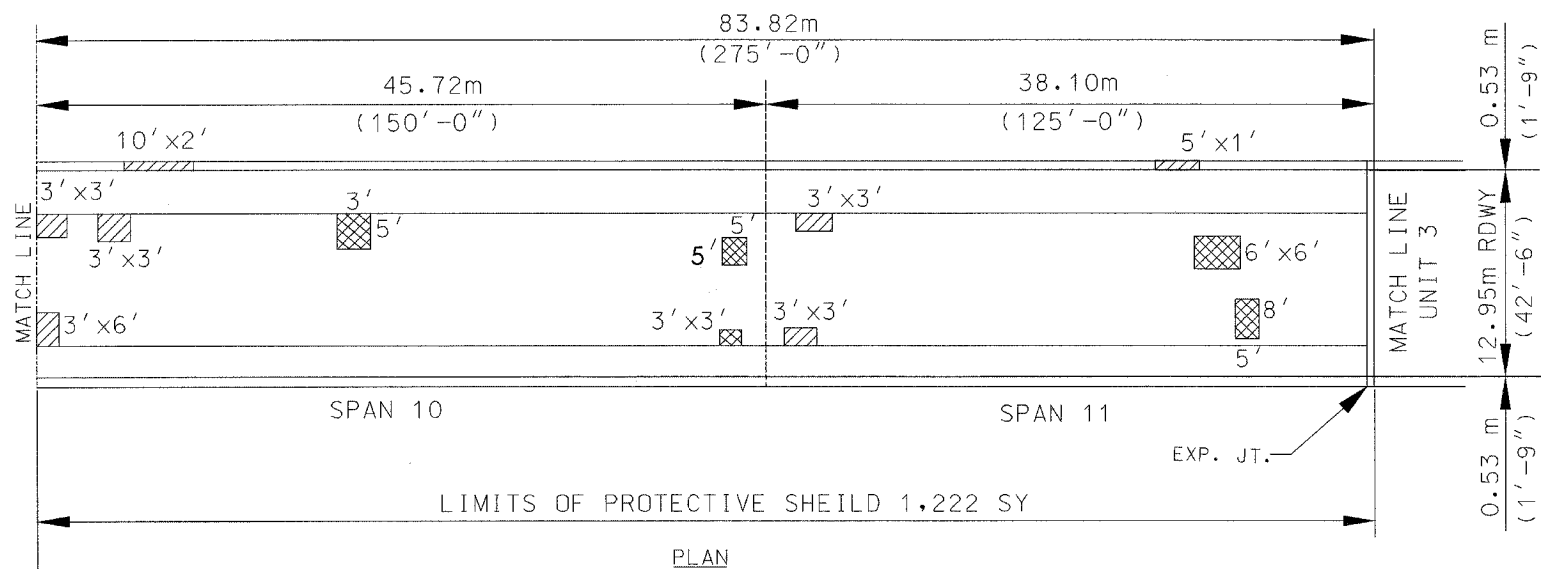
CONTRACT NO. 60C93



SILICON JOINT SEAL:
 EAST ABUTMENT = 46 LF

FULL DEPTH PATCHES
 SHEET 10 SUB-TOTAL = 211 SF
 SHEET 11 SUB-TOTAL = 889 SF
 SHEET 12 SUB-TOTAL = 410 SF

TOTAL 1,510 SF = 168 SY



LEGEND:
 * PARTIAL DEPTH (PD) FD 125 SF PD 54 SF
 * FULL DEPTH (FD)
 * DECK SLAB PARTIAL DEPTH REPAIR PATCHES ARE SHOWN FOR INFORMATION ONLY

TOTAL AREA OF HYDRO SCARIFICATION AND LATEX CONCRETE OVERLAY 14,900 SY

PARTIAL DEPTH
 SHEET 10 = 345 SF
 SHEET 11 = 786 SF
 SHEET 12 = 176 SF
 TOTAL 1,307 SF = 146 SY

REVISIONS	
NAME	DATE

ILLINOIS DEPARTMENT OF TRANSPORTATION
 DECK CONCRETE PATCHING
 IL. RTE. 7
 OVER
 DES PLAINES RIVER, RAILROAD
 F.A.P. RTE. 351 SECTION: 2007-025-1
 WILL COUNTY
 STRUCTURE NO. 099-0185

SCALE: NONE
 DATE: OCTOBER 26, 2007
 DRAWN BY: D.L./F.M.
 CHECKED BY: B.N.S./S.J.P.

CHRISTIAN-ROGE & ASSOC., INC.
 CHICAGO ILLINOIS