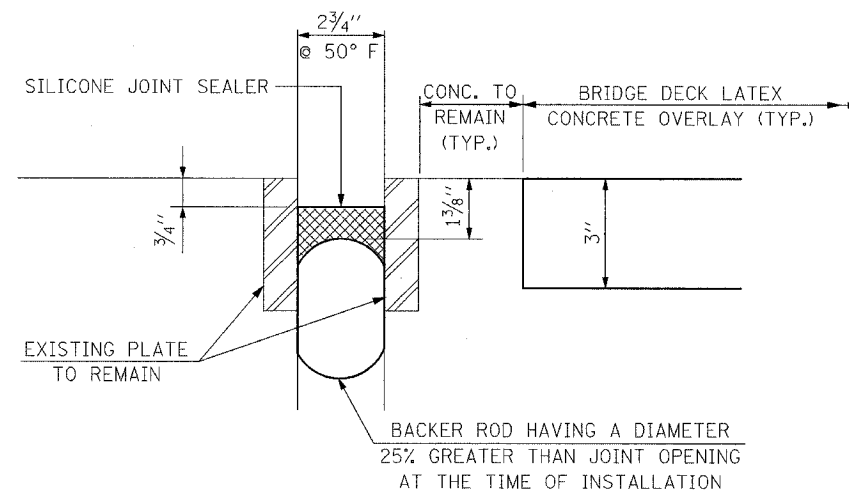


F.A.P. RTE.	SECTION	COUNTY	TOTAL SHEETS	SHEET NO.
351	2007-025-I	WILL	18	13
STA.		TO STA.		
FED. ROAD DIST. NO.	ILLINOIS	FED. AID PROJECT		

CONTRACT NO. 60C93

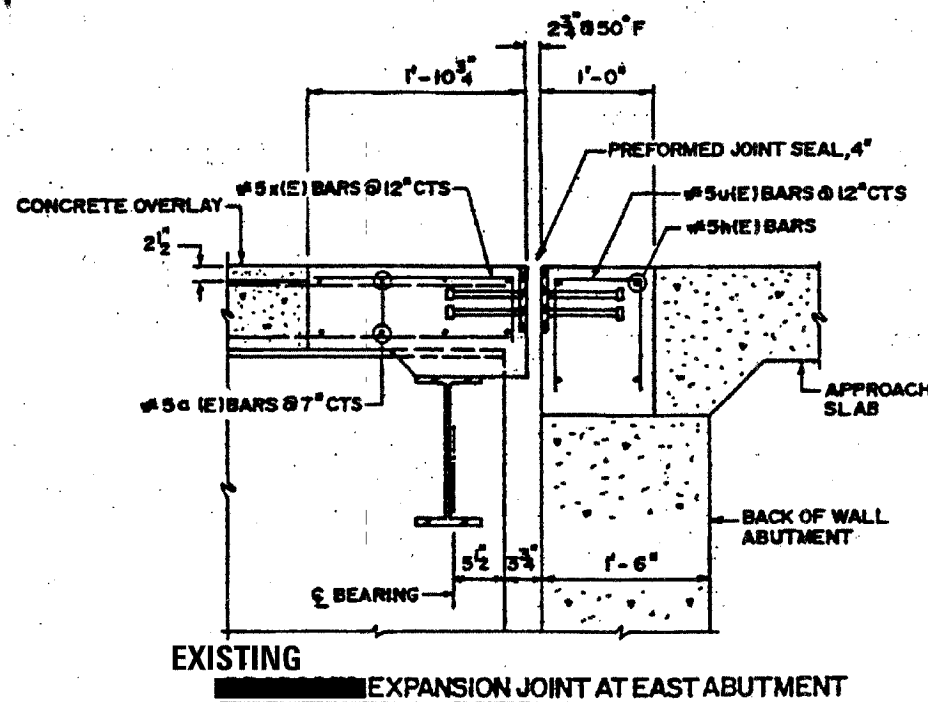


NOTES:

1. PLAN DIMENSIONS AND DETAILS RELATIVE TO EXISTING PLANS ARE SUBJECT TO ROUTINE VARIATIONS. THE CONTRACTOR SHALL FIELD VERIFY EXISTING DIMENSIONS AND DETAILS AFFECTING NEW CONSTRUCTION AND MAKE NECESSARY APPROVED ADJUSTMENTS PRIOR TO CONSTRUCTION OR ORDERING OF MATERIALS. SUCH VARIATIONS SHALL NOT BE CAUSE FOR ADDITIONAL COMPENSATION FOR A CHANGE IN SCOPE OF THE WORK, HOWEVER, THE CONTRACTOR WILL BE PAID FOR THE QUANTITY ACTUALLY FURNISHED BASED UPON THE UNIT PRICE BID FOR THE WORK.
2. COST FOR REMOVAL OF EXISTING JOINT IS INCLUDED IN THE COST OF SILICONE JOINT SEALER.

**PROPOSED SECTION
AT EAST ABUTMENT**
EXISTING PREFORMED JOINT SEAL-TRANVERSE EXPANSION JOINT-
(TO BE REMOVED)

LOCATION	LENGTH OF SILICONE JOINT SEALER
EAST ABUTMENT	46'-0"



**EXISTING
EXPANSION JOINT AT EAST ABUTMENT**

REVISIONS	
NAME	DATE

ILLINOIS DEPARTMENT OF TRANSPORTATION
JOINT RESEALING DETAILS
 IL. RTE. 7
 OVER
 DES PLAINES RIVER, RAILROAD
 F.A.P. RTE. 351 SECTION: 2007-025-I
 WILL COUNTY
 STRUCTURE NO. 099-0185
 SCALE: NONE DRAWN BY: D.L./F.M.
 DATE: OCTOBER 26, 2007 CHECKED BY: B.N.S./S.J.P.
CHRISTIAN-ROGE & ASSOC., INC.
 CHICAGO ILLINOIS

C:\WORK\10101-DES-RESEALING.DWG 10/25/2007 2:10:25 PM