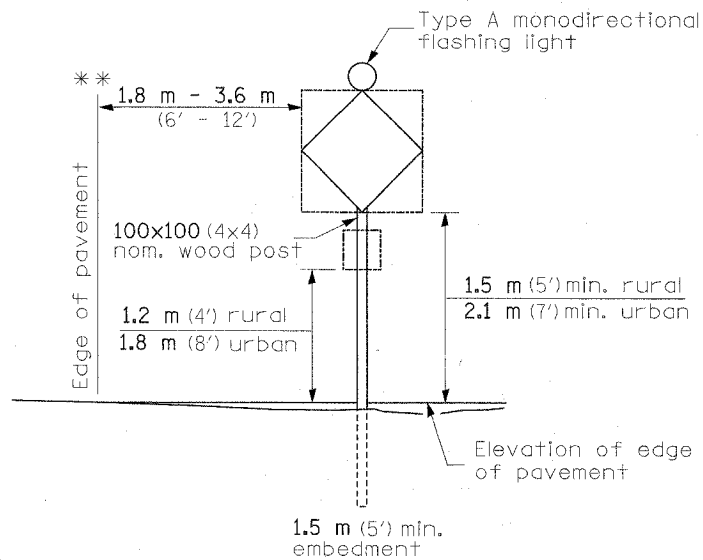


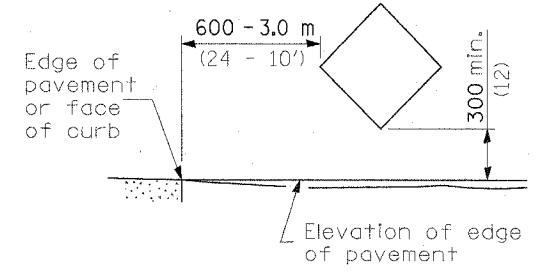
F.A.U. RTE.	SECTION	COUNTY	TOTAL SHEETS	SHEET NO.
332	2007-037TS	COOK/WILL	34	33
STA.		TO STA.		
FED. ROAD DIST. NO.		ILLINOIS FED. AID PROJECT		

D-91-343-07

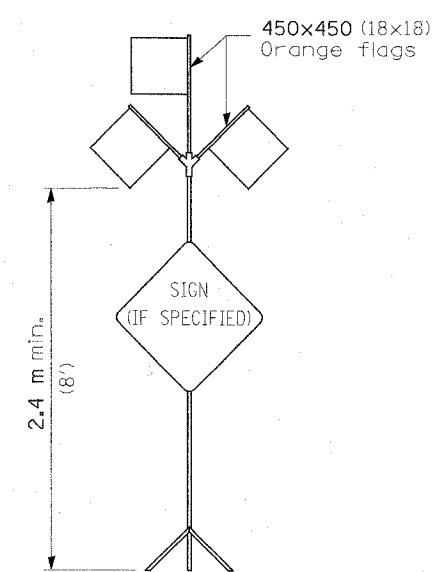


POST MOUNTED SIGNS

** When curb or paved shoulder are present this dimension shall be 600 (24) to the face of curb or 1.8 m (6') to the outside edge of the paved shoulder.



SIGNS ON TEMPORARY SUPPORTS



HIGH LEVEL WARNING DEVICE



G20-1(0)-6036 G20-2a(0)-6024

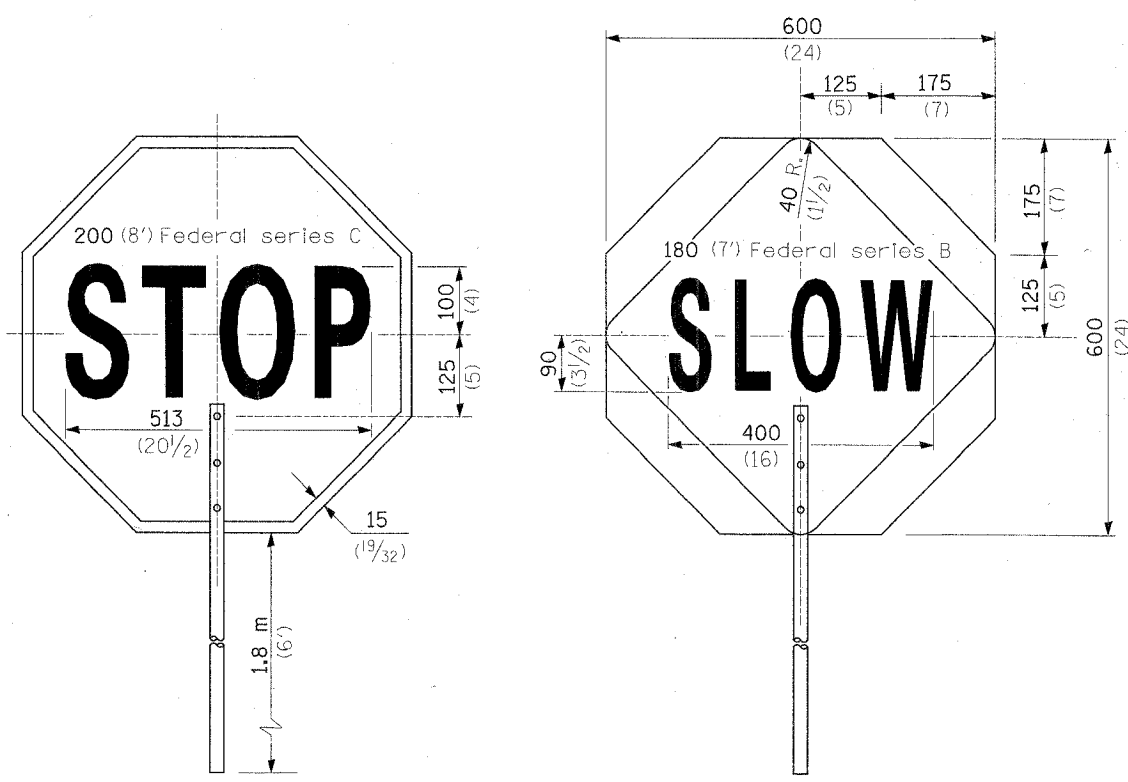
This signing is required for all projects 3200 m (2 miles) or more in length.

ROAD CONSTRUCTION NEXT X MILES sign shall be placed 150 m (500') in advance of project limits.

END CONSTRUCTION sign shall be erected at the end of the job unless another job is within 3200 m (2 miles).

Dual sign displays shall be utilized on multi-lane highways.

WORK LIMIT SIGNING



FRONT SIDE

REVERSE SIDE

FLAGGER TRAFFIC CONTROL SIGN

All dimensions are in millimeters (inches) unless otherwise shown.

TRAFFIC CONTROL DEVICES

STANDARD 701901

PLT DATE = 11/26/07
 FILE NAME = #FILE#
 PLOT SCALE = #SCALE#
 USER NAME = #P-NAME#

INFRASTRUCTURE ENGINEERING, INC.
 33 W. MONROE ST., SUITE 1540
 CHICAGO, IL 60603-5322
 PHONE 312.425.9560
 FAX 312.425.9564

REVISIONS	
NAME	DATE

ILLINOIS DEPARTMENT OF TRANSPORTATION

DISTRICT ONE
 EXPRESSWAY LANE CLOSURE
 DETAILS

SCALE: VERT.
 HORIZ.
 DATE 11/26/07

DRAWN BY BL
 CHECKED BY ER/TC