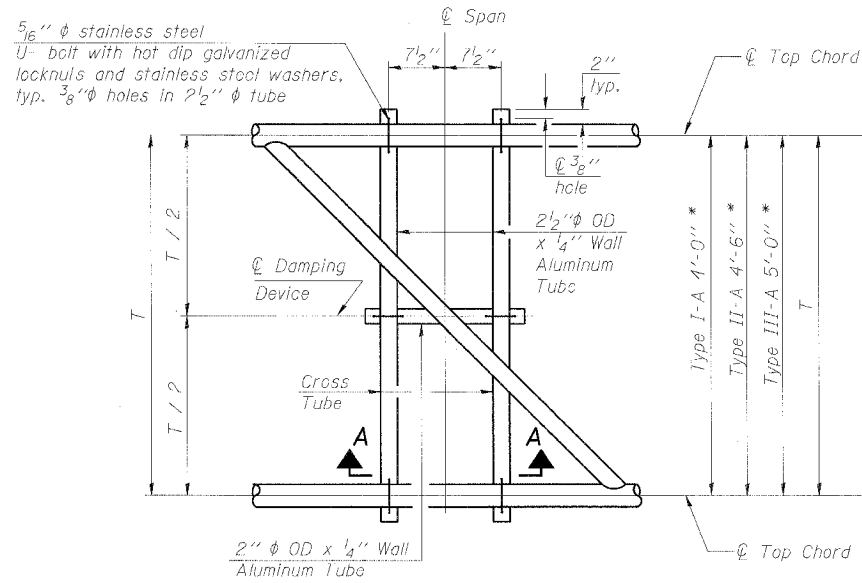


STATE OF ILLINOIS
DEPARTMENT OF TRANSPORTATION

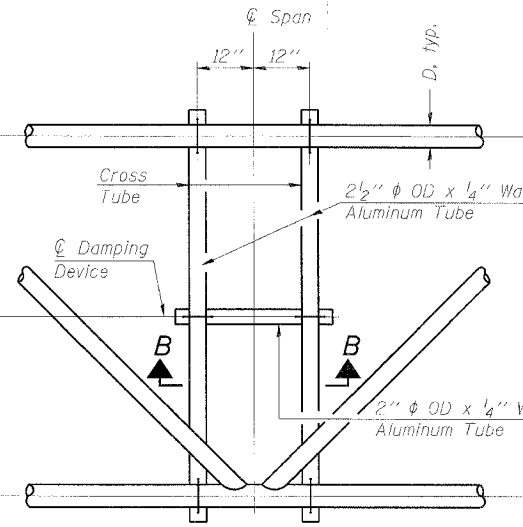
* Center of horizontal to center of splice dimension may vary. Verify before drilling holes in mounting tube.

| ROUTE NO. | SECTION | COUNTY | POST MILES | SHEET NO. | SHEET TOTAL |
|-----------|-------------|--------|------------|-----------|-------------|
| FAI 90/94 | 2007-055 SG | COOK | 30 | 16 | 12 SHEETS |

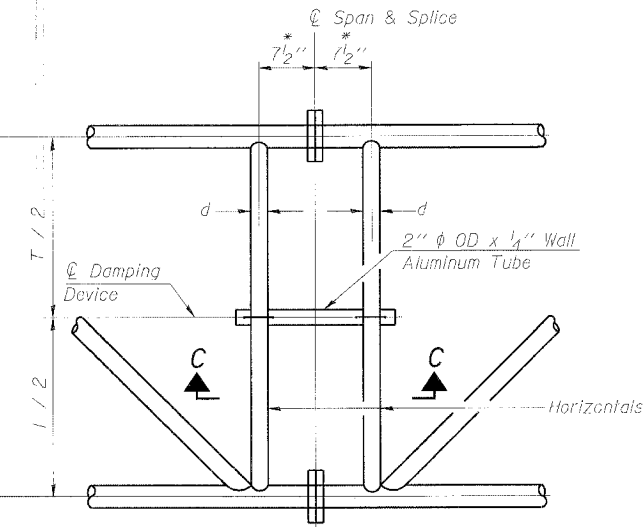
Contract # 60D49



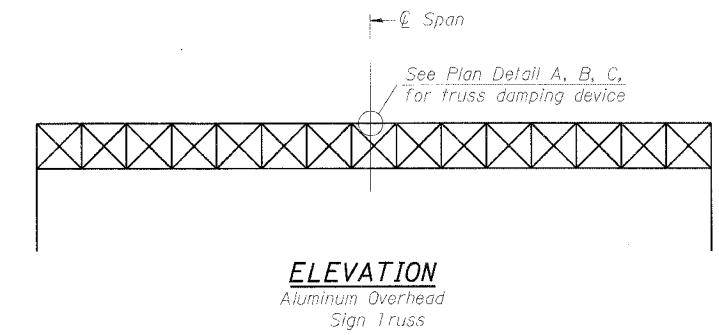
PLAN DETAIL "A"
Span between Panel Points



PLAN DETAIL "B"
Span at Panel Point



PLAN DETAIL "C"
Span at Chord Splice

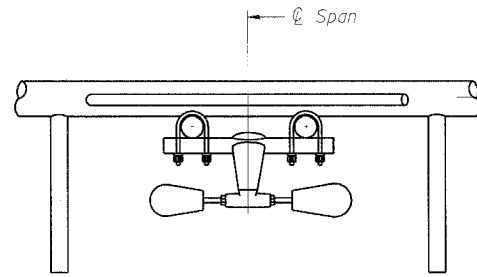


ELEVATION
Aluminum Overhead Sign Truss

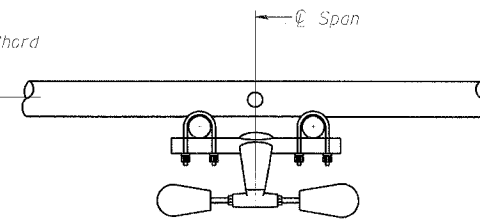
NOTES

Damper: One damper per truss. (31 lbs. minimum Stockbridge-Type Aluminum - 29" minimum between ends of weights) Cost included in Overhead Sign Structure...

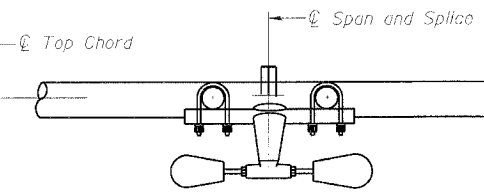
Materials: Materials: Aluminum tubes shall be ASTM B221 alloy 6061 temper T6. Cost included in Overhead Sign Structure...



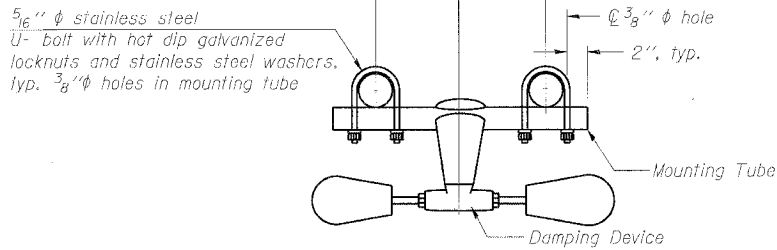
SECTION A-A



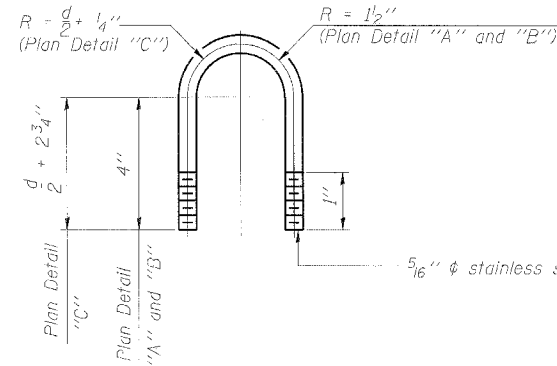
SECTION B-B



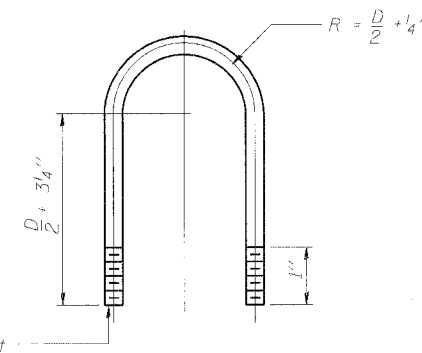
SECTION C-C



TRUSS DAMPING DEVICE CONNECTION DETAIL
(Typical)



DAMPING DEVICE MOUNTING TUBE U-BOLT DETAIL
(Typical)



TOP CHORD TO CROSS TUBE U-BOLT DETAIL
(Typical - Detail "A" and "B")

| | |
|----------------|------------------------------------|
| DESIGNED - ASP | 200 |
| CHECKED - RLP | EXAMINED |
| DRAWN - BEM | PASSED |
| CHECKED - ASP | ENGINEER OF BRIDGE DESIGN |
| | ENGINEER OF BRIDGES AND STRUCTURES |

OS-A-D

6/01/2007

OVERHEAD SIGN STRUCTURE DAMPING DEVICE

I-90/94 KENNEDY EXPRESSWAY
(HUBBARDS CAVE TO I-290)
STATION 30+74.00 (190/94)
COOK COUNTY
STRUCTURE NUMBER IS0161094L051.5