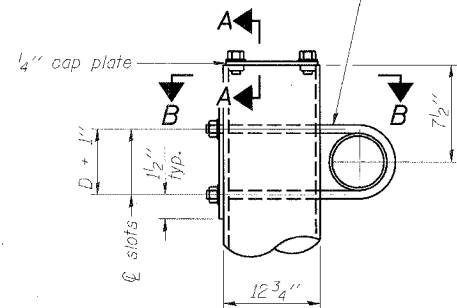


STATE OF ILLINOIS  
DEPARTMENT OF TRANSPORTATION

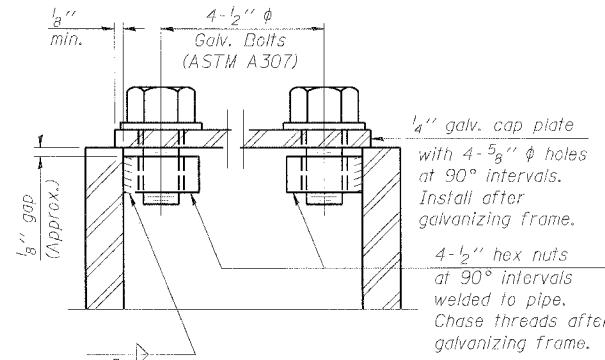
PROJECT NO.	SECTION	COUNTY	TOTAL SHEETS	SHEET NO.	SHEET NO.
FAI 50/94	2007-056 50	COOK	30	17	12 SHEETS
FED. ROAD DIST. NO. 1	B. LINE NO.	FED. AID PROJECT			

Contract # 60D49

3/4"  $\phi$  stainless steel U-bolt.  
Provide two washers and two hexagon locknuts. (4)  
13/16" x 2" slots on 12"  $\phi$  pipe.  
(4 slots required per pipe)

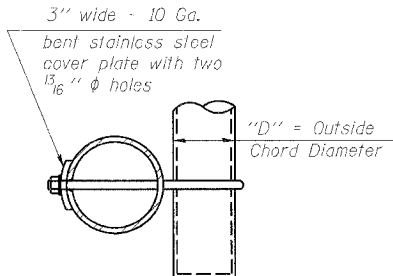


DETAIL A

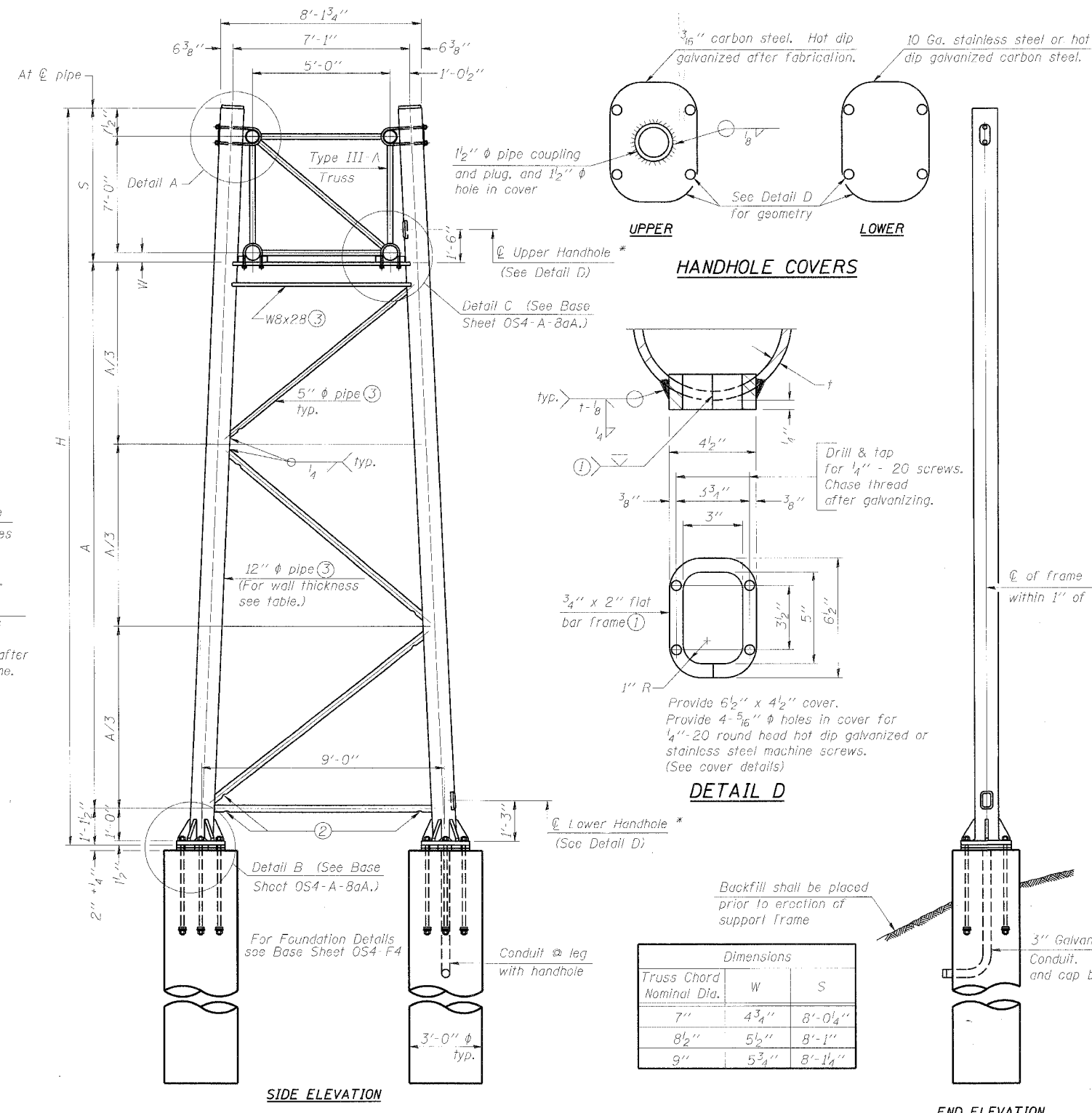


SECTION A-A

As an alternate to bolts, may use galvanized drive-fit caps installed after galvanizing frame.



SECTION B-B



SIDE ELEVATION

END ELEVATION

Dimensions		
Truss Chord Nominal Dia.	W	S
7"	4 3/4"	8'-0 1/4"
8 1/2"	5 1/2"	8'-1"
9"	5 3/4"	8'-1 1/4"

TRUSS SUPPORT DETAILS  
(12"  $\phi$  Pipe-Type III-A Truss)

Support Design Loads: See Base Sheet OS-A-1 for design and loading criteria.  
Load combinations checked include deadload plus:  
a) 100% wind normal to sign, 20% parallel to sign  
b) 60% wind normal to sign, 30% parallel to sign

- ① In lieu of fabricated handhole frame as shown, may cut from 2" plate (rolling direction vertical). All cut faces to be ground to ANSI Roughness of 500  $\mu$ in or less.
  - ② Galvanizing vent holes of adequate size shall be provided on underside of each end of bracing pipes. Alternately, holes may be provided in wall of pipe column. All vent holes shall be drilled and de-burred, typ.
  - ③ Steel pipe, plate, carbon steel handhole covers and rolled sections shall be hot dip galvanized after fabrication. Painting is not permitted. See Base Sheet OS-A-1.
  - ④ See General Notes for fasteners.
  - ⑤ Dimensions shown are based on selection criteria in the Sign Structures Manual. Nonstandard applications must have dimensions verified or amended as appropriate.
  - ⑥ "H" based on 15'-0" or actual sign height, whichever is greater.
- \* For dynamic message sign installations, provide upper and lower handholes in both legs of each support frame.

Structure Number	Station	Support		Pipe Wall Thickness	H ⑥	A
		Left	Right			
150161094L051.5	30+74.00	X		0.375"	27'-5 1/2"	18'-3 3/4"
150161094L051.5	30+74.00		X	0.375"	28'-4 1/4"	15'-2 1/8"

DESIGNED - ASP	200
CHECKED - RLP	EXAMINED
DRAWN - BEM	PASSED
CHECKED - ASP	ENGINEER OF BRIDGES AND STRUCTURES

NUMBER	REVISION	DATE

OVERHEAD SIGN STRUCTURES  
SUPPORT FRAME FOR  
TYPE III-A ALUMINUM TRUSS

I-90/94 KENNEDY EXPRESSWAY  
(HUBBARDS CAVE TO I-290)  
STATION 30+74.00 (190/94)  
COOK COUNTY  
STRUCTURE NUMBER 150161094L051.5

OS4-A-8a 6/01/2007