

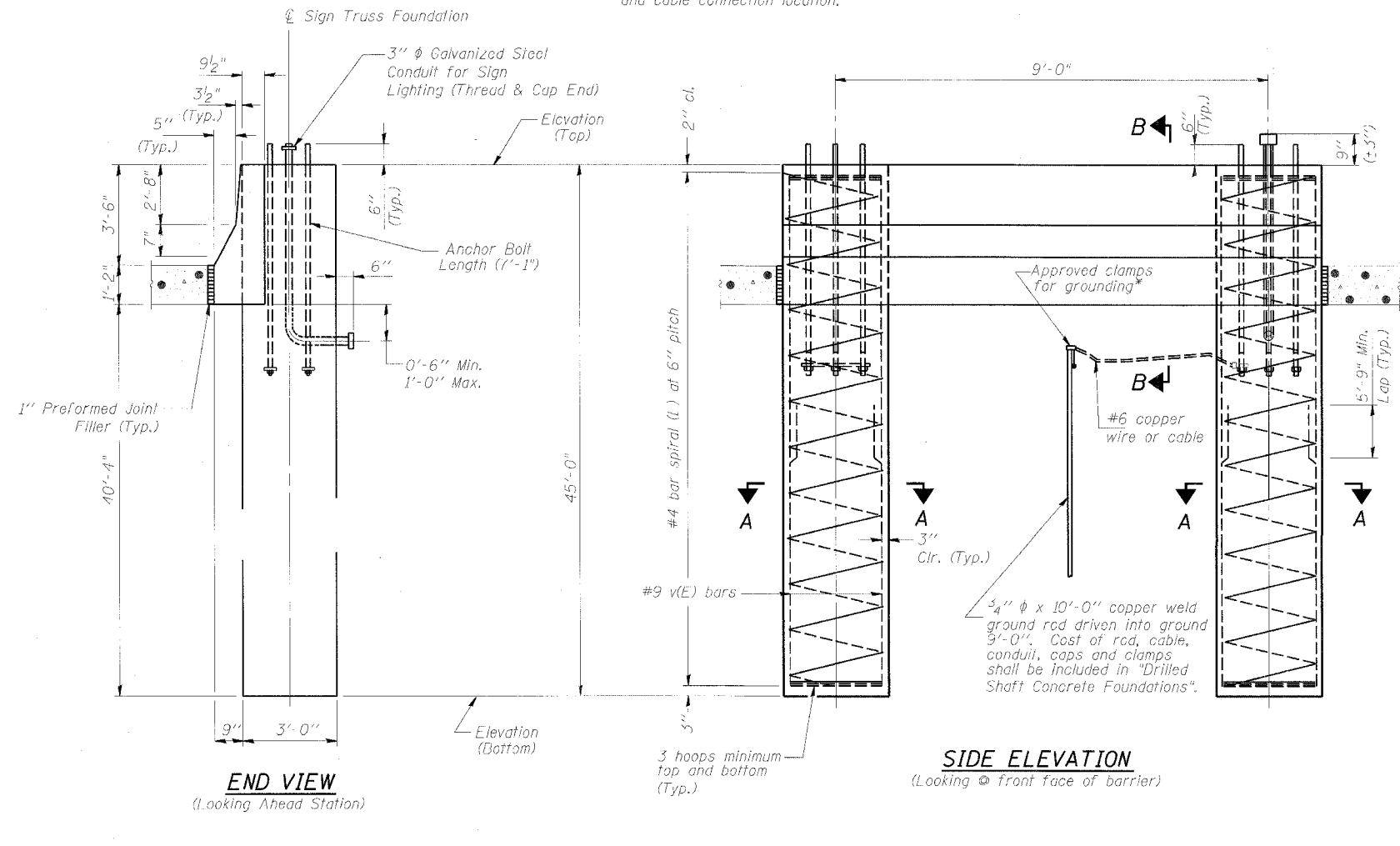
STATE OF ILLINOIS
DEPARTMENT OF TRANSPORTATION

ROUTE NO.	SECTION	COUNTY	TITLE SHEETS	SHEET NO.
FA1 50/94	2007-096 5G	COOK	30 22	10
FED. ROAD DIST. NO. 1	ILLINOIS	FED. AID PROJECT		12 SHEETS

Contract # 60D49

For anchor rod size and placement, see Support Frame Detail Sheet.

* Anchor rod shall be ground or filed to bright metal at clamp and cable connection location.



BAR LIST - EACH FOUNDATION

Bar Number	Size	Length	Shape
v(E)	#9	25'-2"	
#4 bar spiral (E) - see Side Elevation			

NOTES:

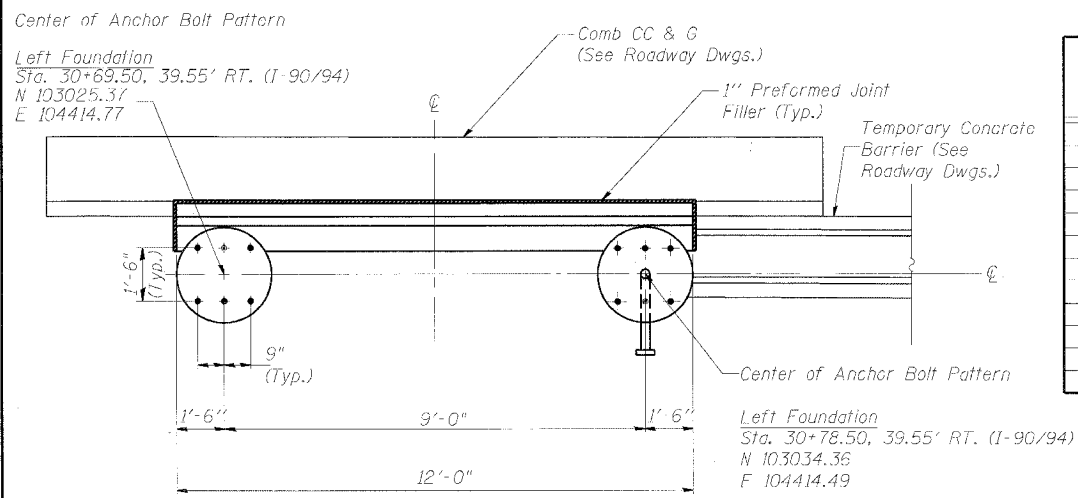
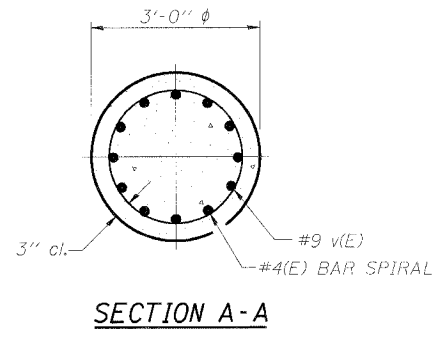
The foundation dimensions shown are based on the presence of mostly cohesive soils with an average Unconfined Compressive Strength (Q_u) of at least 1.25 tsf, which must be determined by previous soil investigations at the jobsite. When other conditions are indicated, the boring data will be included in the plans and the foundation dimensions shown will be the result of site specific designs.

If the conditions encountered are different than those indicated, the Contractor shall notify the Engineer to determine if the foundation dimensions need to be modified. If dimensions "B" or "I" are revised by more than 12" by the Contractor, "as-built" plans shall be prepared and submitted to the District Bureau of Operations for future reference.

No sonotubes or decomposable forms shall be used below the lower conduit entrance. Permanent metal forms or other shielding may not be left in place below that elevation without the Engineer's written permission.

Concrete shall be placed monolithically, without construction joints. Backfill shall be placed per Article 502 of Standard Specification and prior to erection of support column.

A normal surface finish followed by a Bridge Seal Sealer application will be required on concrete surfaces above the lowest elevation 5" below finished ground line. Cost included in Drilled Shaft Concrete Foundation.



Structure Number	Station	Left Foundation			Right Foundation			Class SI Concrete (Cu. Yds.)					
		Elevation Top	Elevation Bottom	A	B	F	Elevation Top		Elevation Bottom	A	B	F	
ISO161094L051.5	30+74.00	580.10	535.10	4'-8"	40'-4"	45'-0"							25.5

**DETAILS FOR 12" Ø SUPPORT FRAME
TYPE III-A TRUSS**

**OVERHEAD SIGN STRUCTURES
LEFT SUPPORT FOUNDATION DETAILS**

I-90/94 KENNEDY EXPRESSWAY
(HUBBARDS CAVE TO I-290)
STATION 30+74.00 (190/94)
COOK COUNTY
STRUCTURE NUMBER ISO161094L051.5

DESIGNED - ASP	200
CHECKED - RLP	EXAMINED
DRAWN - BEM	PASSED
CHECKED - ASP	ENGINEER OF BRIDGES AND STRUCTURES

NUMBER	REVISION	DATE