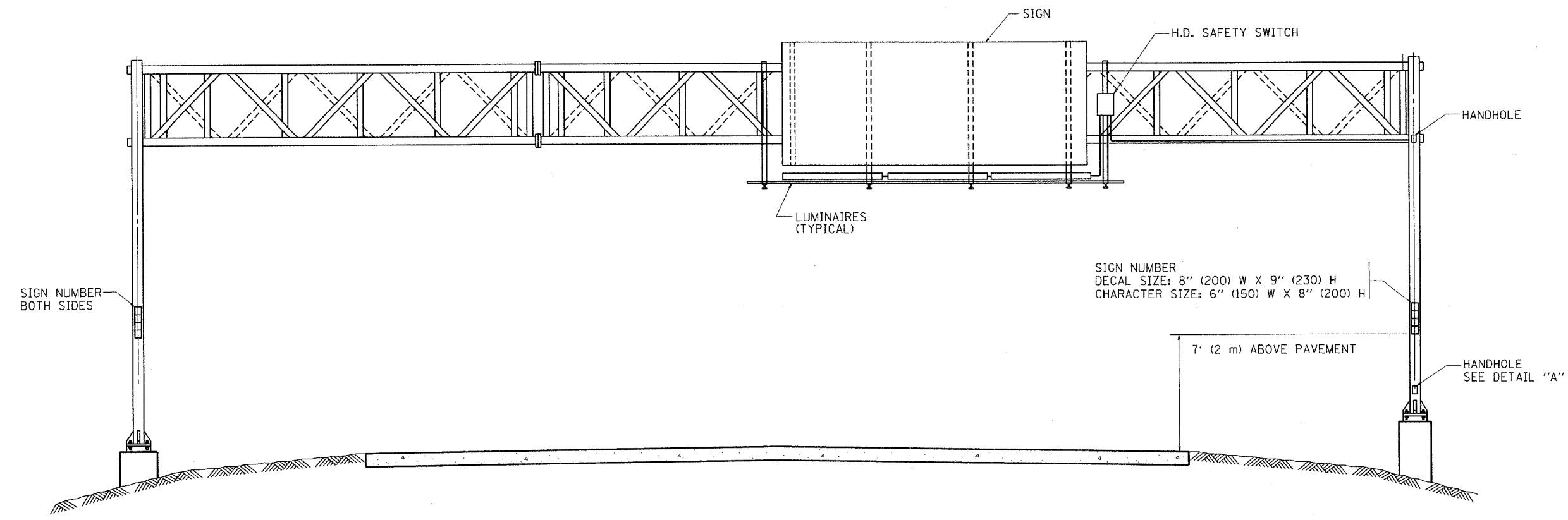
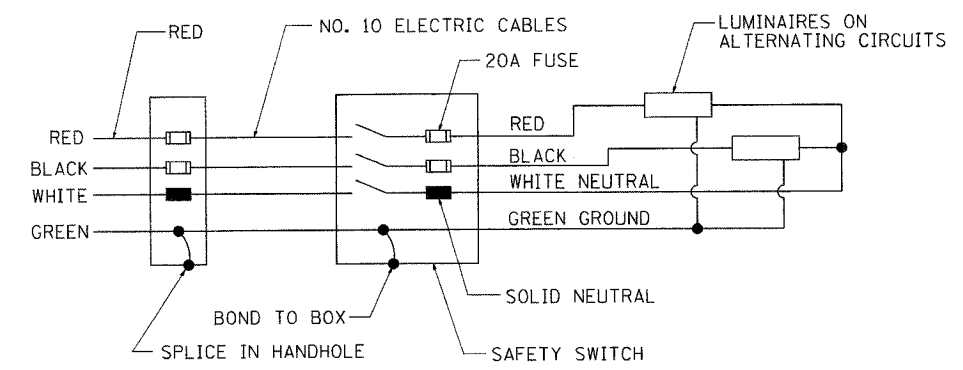


CONTRACT NO. 60D49				
F.A.I. RTE.	SECTION	COUNTY	TOTAL SHEETS	SHEET NO.
30/94	Z007-056 90	COOK	30	25
STA.		TO STA.		
FED. ROAD DIST. NO.	ILLINOIS	FED. AID PROJECT		

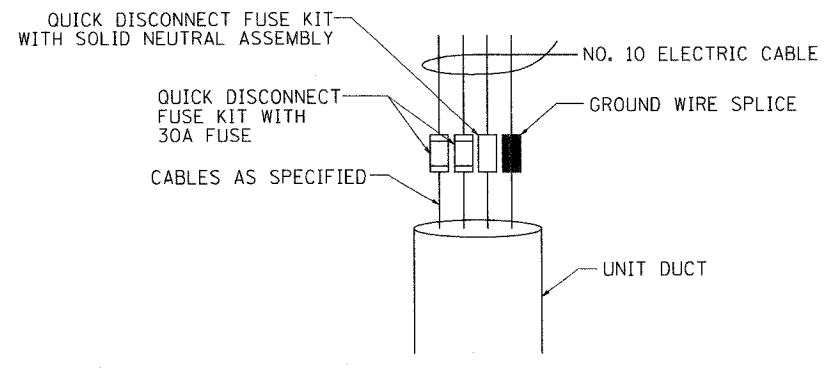


SIGN NUMBER
 DECAL SIZE: 8" (200) W X 9" (230) H
 CHARACTER SIZE: 6" (150) W X 8" (200) H

7' (2 m) ABOVE PAVEMENT



WIRING DIAGRAM



DETAIL A

NOTES:

1. ALL DIMENSIONS ARE IN INCHES (MILLIMETERS) UNLESS OTHERWISE SHOWN
2. ALL CONDUIT ATTACHED TO STRUCTURE SHALL BE GALVANIZED RIGID METALIC CONDUIT, PVC COATED (GRMC, PVC)
3. THE USE OF LIQUID TIGHT METAL CONDUIT (TYPE LFMC) SHALL BE LIMITED TO LOCATIONS WHERE MOVEMENT IS ANTICIPATED AND SHALL NOT EXCEED 5' (1.5 m) IN LENGTH
4. ALL WORK INDICATED SHALL BE INCLUDED IN THE PAY ITEM FOR ELECTRIC CONNECTION TO SIGN STRUCTURE
5. THE SAFETY SWITCH SHALL BE LOCATED ON THE SIDE OF THE SIGN STRUCTURE WHICH IS CLOSEST TO THE SHOULDER, OR EDGE OF PAVEMENT.

REVISIONS	
NAME	DATE
	08/19/04

ILLINOIS DEPARTMENT OF TRANSPORTATION
 ELECTRIC CONNECTION
 TO SIGN STRUCTURE
 SPAN TYPE
 1 OF 2
 SCALE: VERT. NONE
 HORIZ.
 DRAWN BY
 CHECKED BY
 BE-600

PLOT DATE = 4/19/2007
 PLOT SCALE = 1/8" = 1'-0"
 USER NAME = bboard