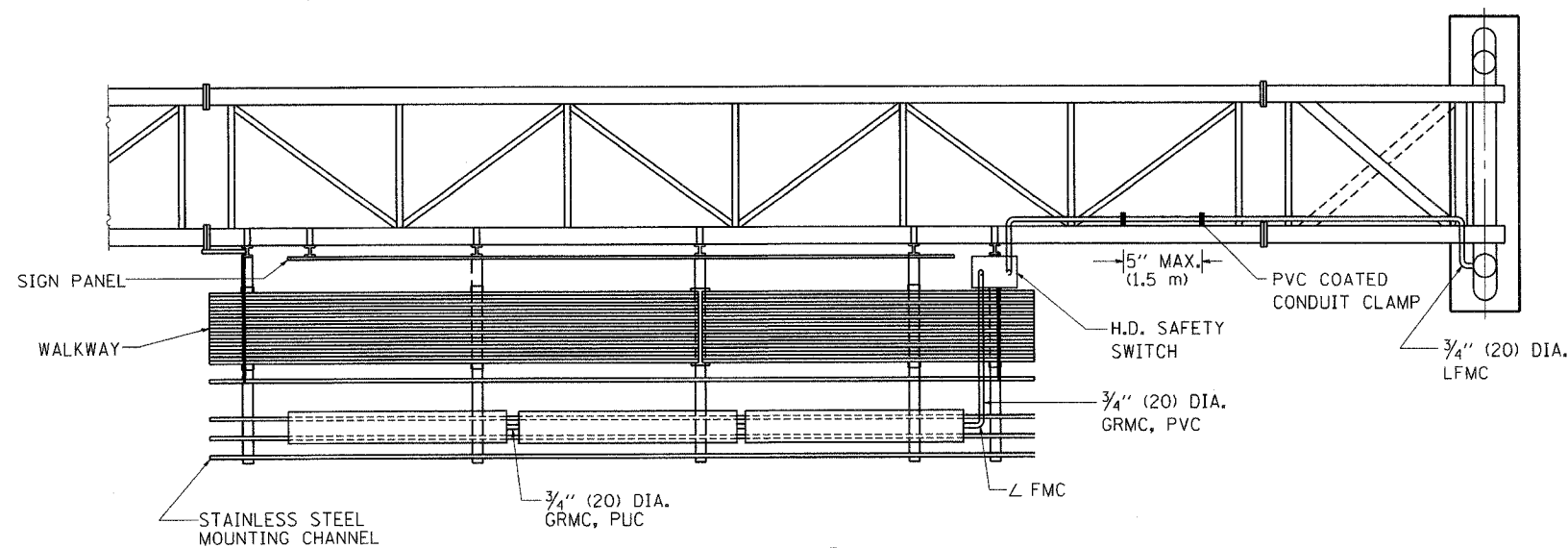
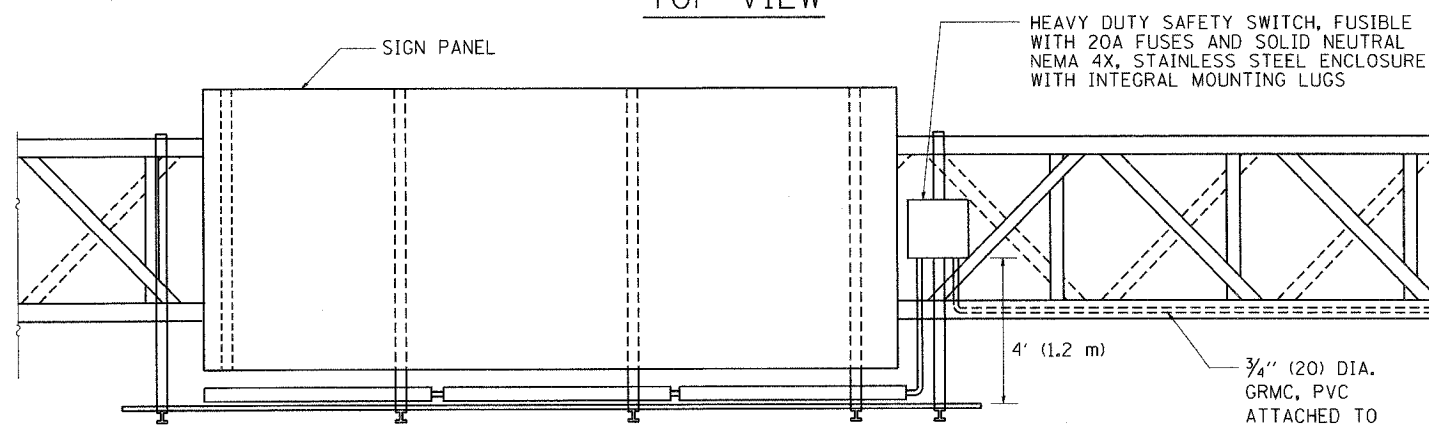


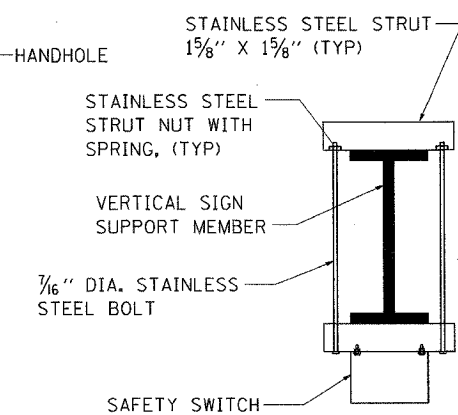
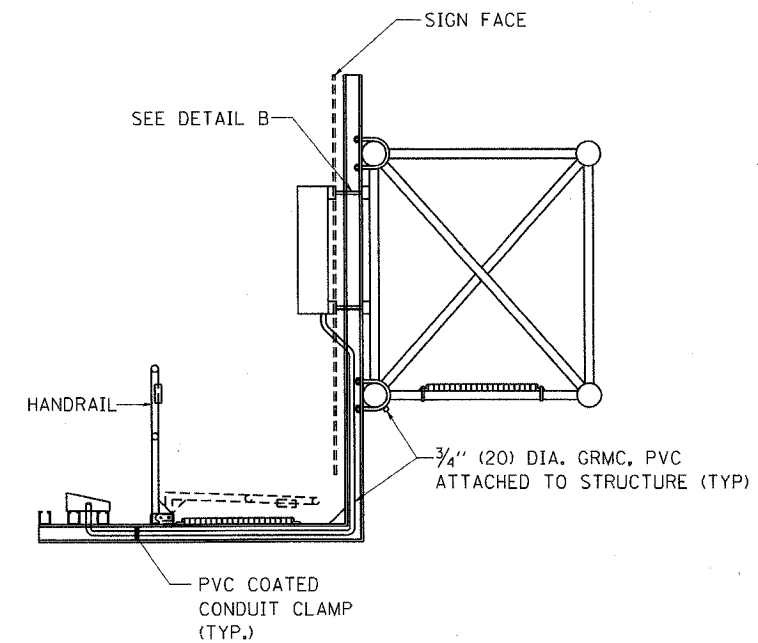
F.A. RTE.	SECTION	COUNTY	TOTAL SHEETS	SHEET NO.
90/99	2007-096 SC	COOK	30	26
STA.	TO STA.			
FED. ROAD DIST. NO.	ILLINOIS FED. AID PROJECT			



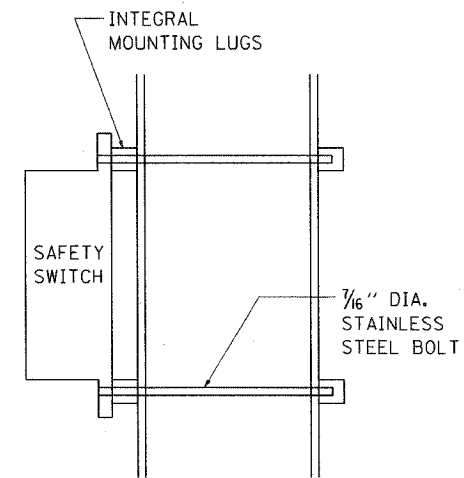
TOP VIEW



ELEVATION VIEW



TOP VIEW



SIDE VIEW

DETAIL B

PLOT DATE = 4/18/2007
 FILE NAME = E:\projects\60049.dgn
 PLOT SCALE = 1/8" = 1'-0"
 USER NAME = bauerst

REVISIONS	
NAME	DATE
	08/19/04

ILLINOIS DEPARTMENT OF TRANSPORTATION

ELECTRIC CONNECTION
 TO SIGN STRUCTURE
 SPAN TYPE
 2 OF 2

SCALE: VERT. NONE
 HORIZ.

DRAWN BY
 CHECKED BY
 BE-600