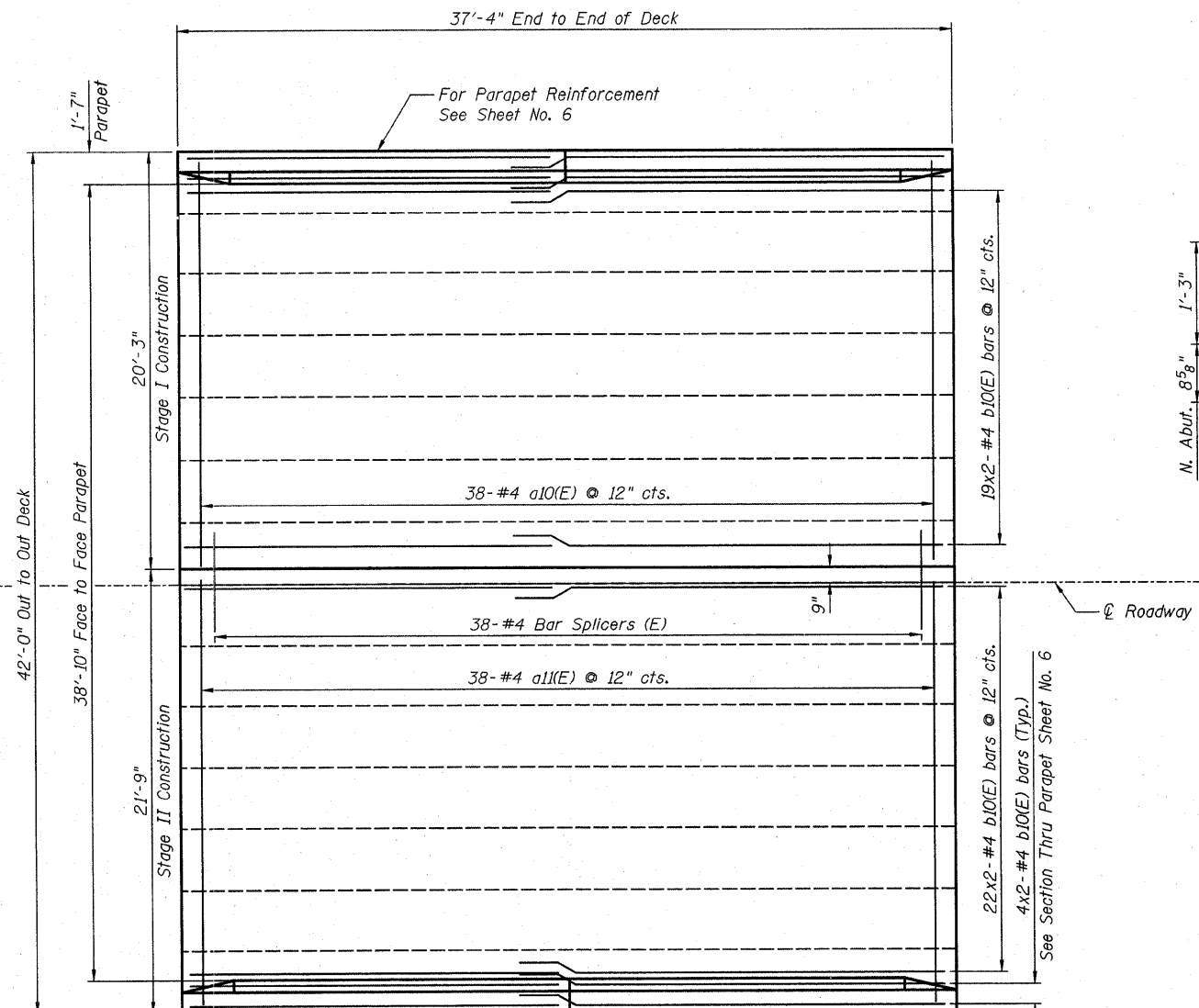


STATE OF ILLINOIS
DEPARTMENT OF TRANSPORTATION

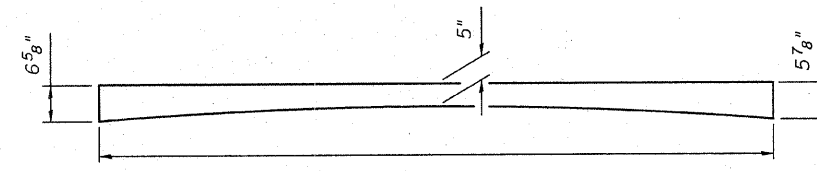
ROUTE NO.	SECTION	COUNTY	TOTAL SHEETS	SHEET NO.
FAP 330	105B-1R	WILL	33	23
FED. ROAD DIST. NO. 7	ILLINOIS	FED. AID PROJECT-		

SHEET NO. 5
9 SHEETS

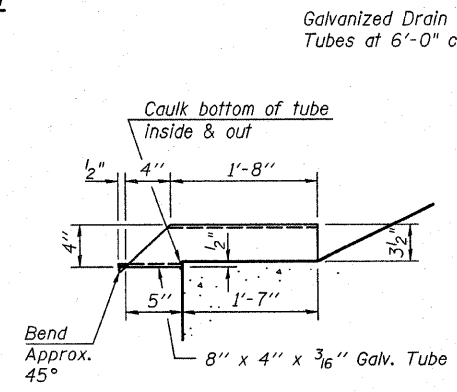
Contract # 60D50



CONCRETE WEARING SURFACE - PLAN

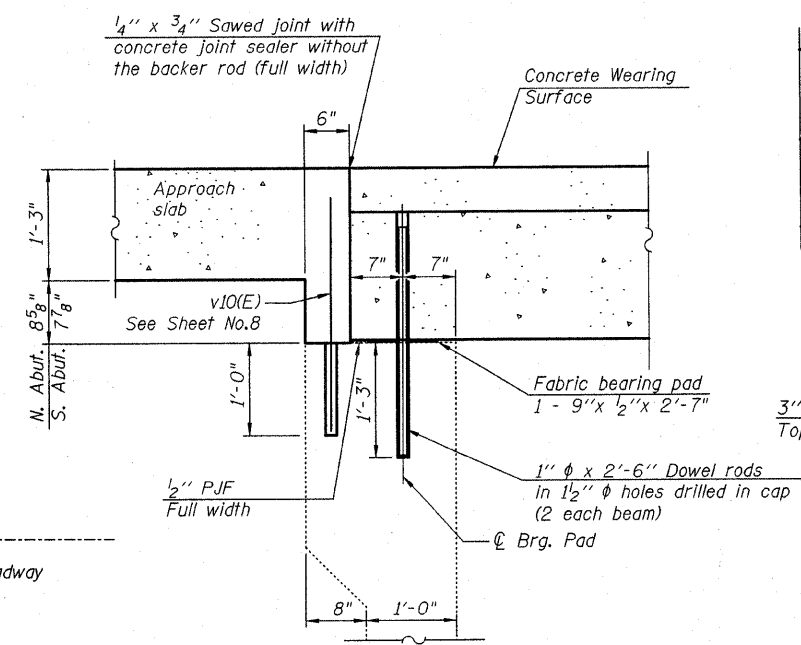


REINFORCED CONCRETE WEARING SURFACE PROFILE



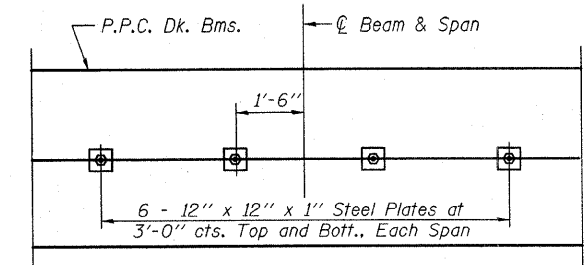
DRAIN DETAIL

Cost of drains is included with Concrete Wearing Surface

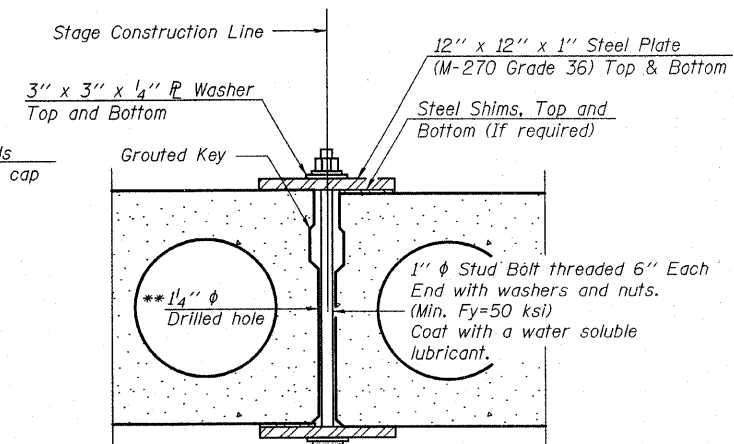


SECTION THRU ABUTMENT

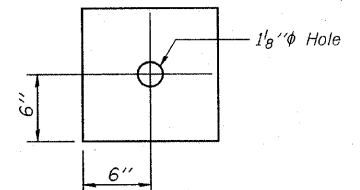
Notes:
After beams have been erected, holes shall be drilled into substructure and anchor dowels placed. Dowel holes shall be filled with non-shrink grout to top of beam and allowed to cure min. 24 hrs. prior to grouting the shear keys.
All horizontal dimensions are at right angles to beam ends. Hatched area to be poured after concrete wearing surface is in place.
See sheet No. 4 for bearing pad details.
See sheet No. 6 for Abutment reinforcement details.
See sheet No. 6 for Bill of Material



PLAN



SECTION

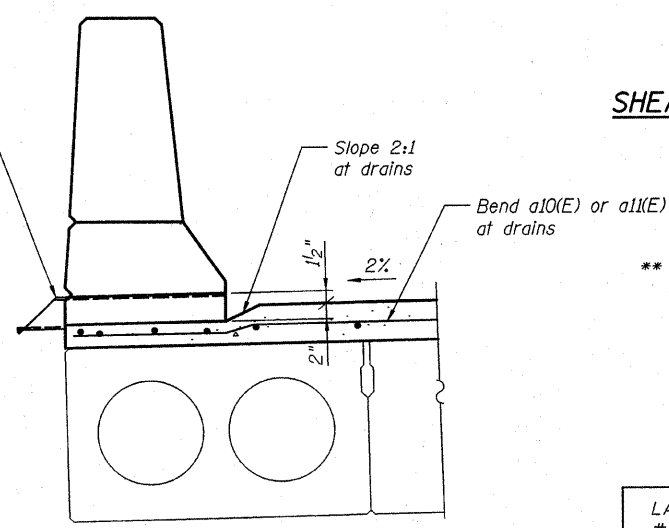


CLAMPING PLATE

SHEAR KEY CLAMPING DETAILS AT STAGE CONST. JT.

Cost included with Precast Prestressed Concrete Deck Beams.
See Stage Construction Details for traffic lanes.

** As an alternate to the drilled holes, the Contractor may request the Fabricator to cast 2" diameter semi-circular recesses in the sides of each beam adjacent to the stage construction line. These recesses should align to form a hole at the appropriate locations for the clamping device bolts. If the Contractor elects to use this alternate, the details shall be identified on the shop drawings.



SECTION THRU PARAPET
SHOWING DRAIN

LAP LENGTH
4 bars - 1'-8"

SUPERSTRUCTURE DETAILS
US RTE 45 OVER PRAIRIE CREEK
F.A.P. RT. 330
SECTION 105B-1R
WILL COUNTY
STA. 320+52.00
S.N. 099-0119

DESIGNED	B. Sauter
CHECKED	E. Mroczek
DRAWN	R. Danley
CHECKED	E. Mroczek

CG **Giorba Group, Inc.**
CONSULTING ENGINEERS
6507 North Cumberland Avenue, Suite 402 Chicago, Illinois 60656
Tel. 773.775.4009 Fax 773.775.4014 Email chicago@giorga.com

10/17/2007 r:\proj\3329\3329_105B-1R\design\structural\lead\sh1\3329_05_05_Superstructure_Details.shd