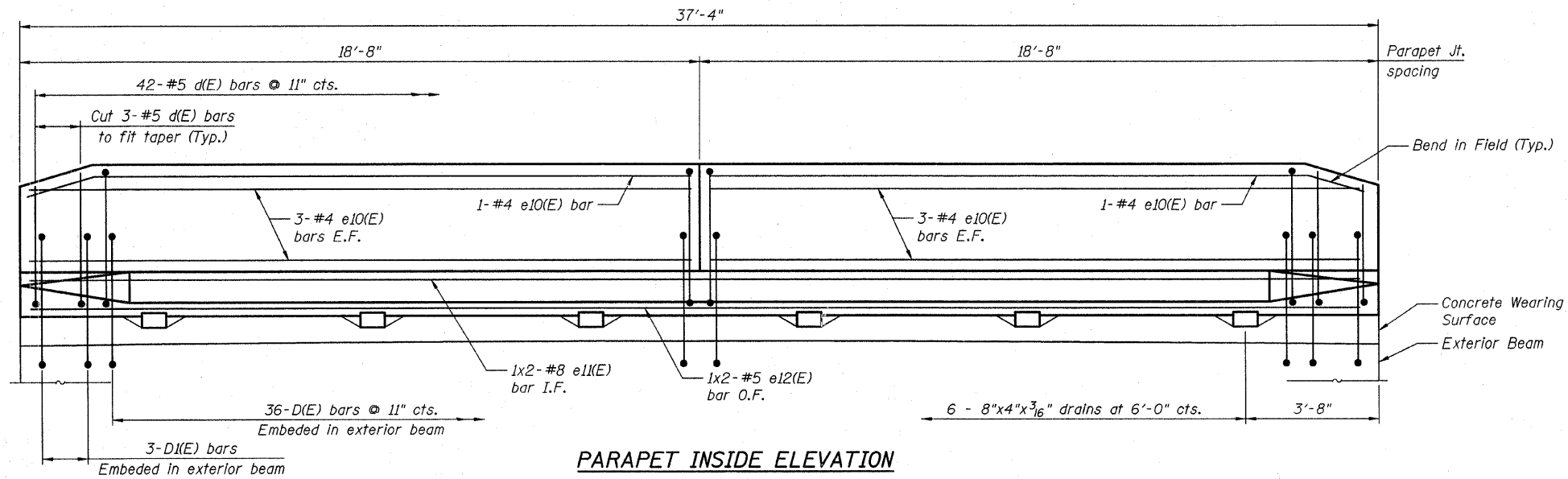


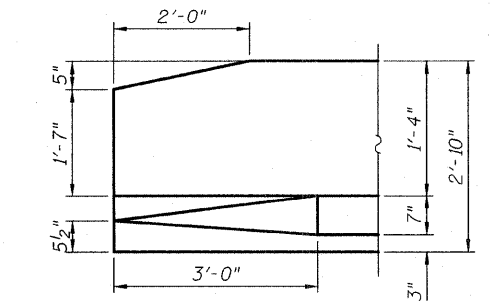
STATE OF ILLINOIS
DEPARTMENT OF TRANSPORTATION

ROUTE NO.	SECTION	COUNTY	TOTAL SHEETS	SHEET NO.	SHEET NO. 6
FAP 330	105B-1R	WILL	33	24	9 SHEETS
FED. ROAD DIST. NO. 7	ILLINOIS	FED. AID PROJECT-			

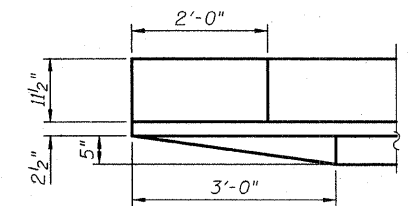
Contract # 60D50



PARAPET INSIDE ELEVATION

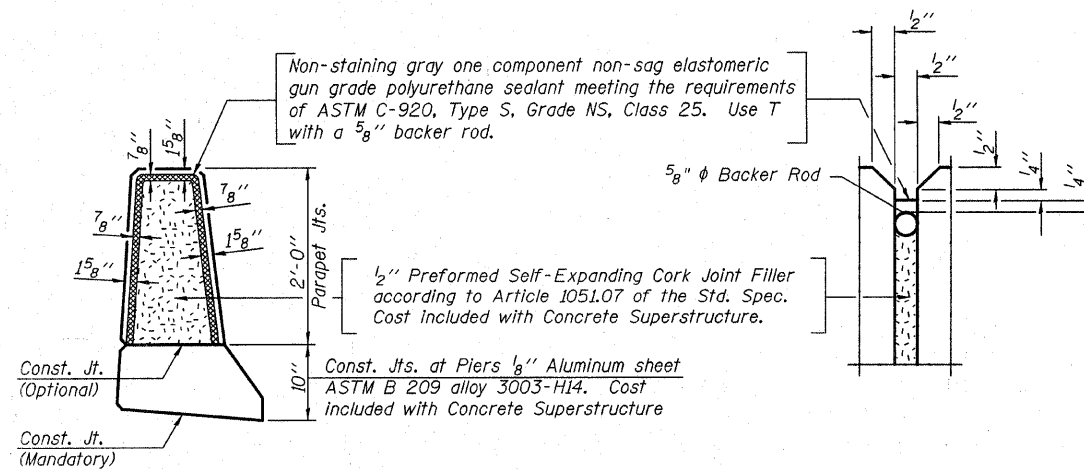


ELEVATION

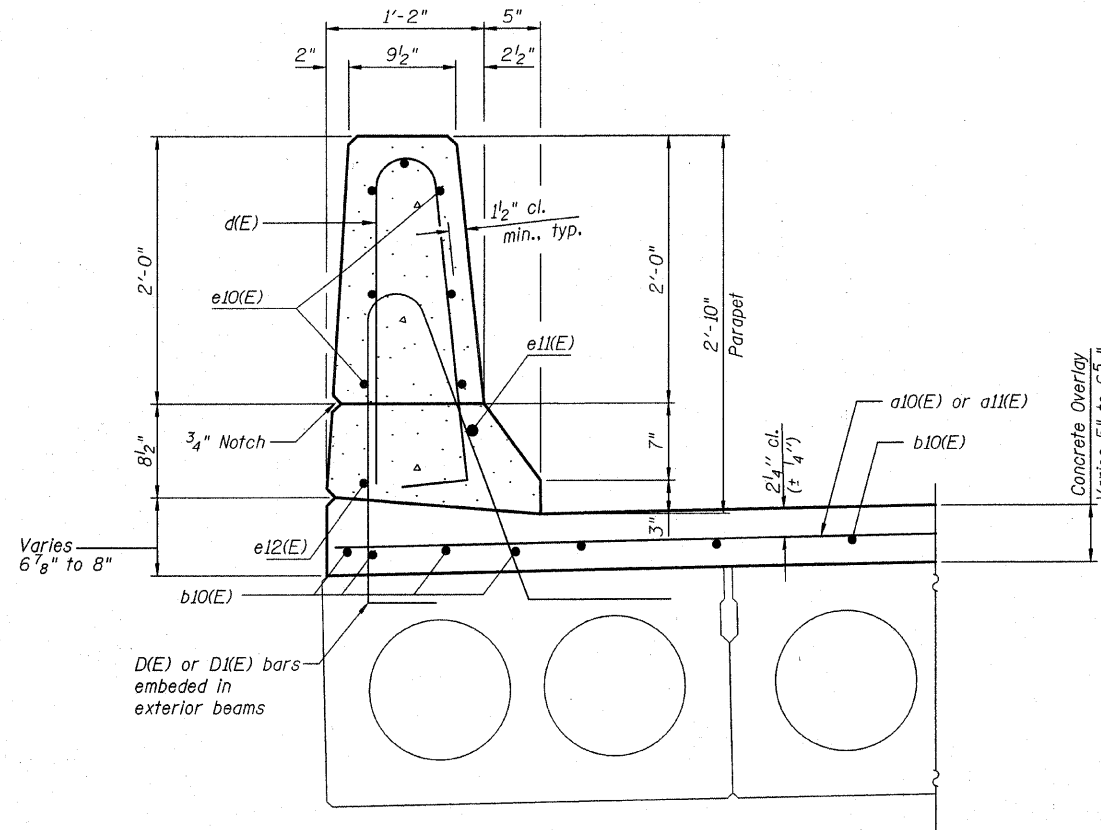


PLAN

PARAPET END DETAILS



PARAPET JOINT DETAILS



SECTION THRU PARAPET

BILL OF MATERIAL

Bar	No.	Size	Length	Shape
a10(E)	38	#4	19'-11"	
a11(E)	38	#4	21'-5"	
b10(E)	96	#4	19'-4"	
d(E)	84	#5	5'-7"	
e10(E)	28	#4	18'-4"	
e11(E)	4	#8	20'-3"	
e12(E)	4	#4	19'-4"	
Reinforcement Bars, Epoxy Coated			Pound	3,390
Concrete Superstructure			Cu. Yd.	8.3
Concrete Wearing Surface (5")			Sq. Yd.	174
Bar Splacers			Each	38
Bridge Deck Grooving			Sq. Yd.	153
Protective Coat			Sq. Yd.	191

Note:

Bars indicated thus 1x2- #5 etc. indicates 1 line of bars with 2 lengths per line.

PARAPET DETAILS
US RTE 45 OVER PRAIRIE CREEK

F.A.P. RT. 330
SECTION 105B-1R
WILL COUNTY
STA. 320+52.00
S.N. 099-0119

LAP LENGTH
#4 bars - 1'-8"
#8 bars - 4'-6"

DESIGNED	B. Sauter
CHECKED	E. Mroczek
DRAWN	R. Danley
CHECKED	E. Mroczek

CC Ciorba Group, Inc.
CONSULTING ENGINEERS
5507 North Cumberland Avenue, Suite 402 Chicago, Illinois 60656
Tel. 773.775.4009 Fax 773.775.4014 Email chicago@ciorba.com