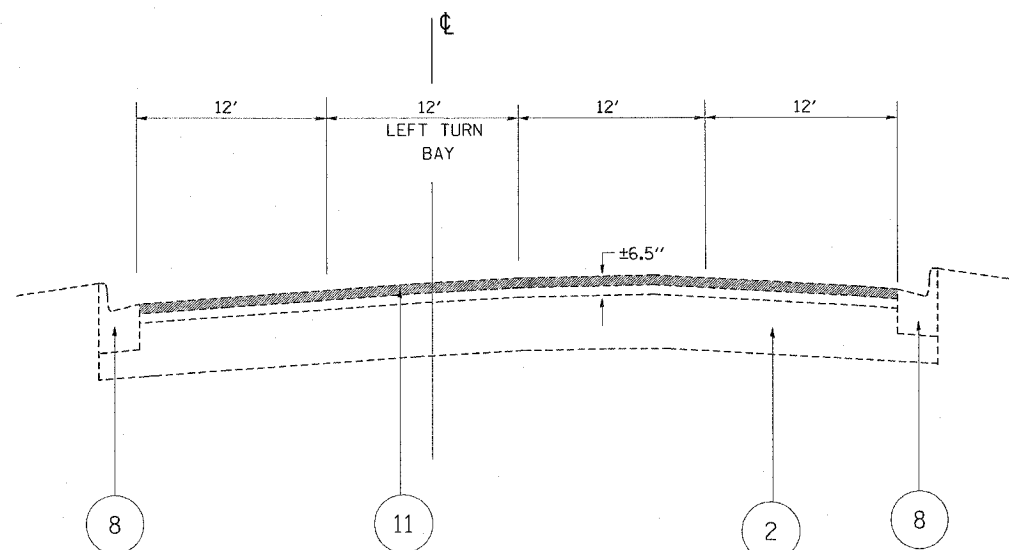
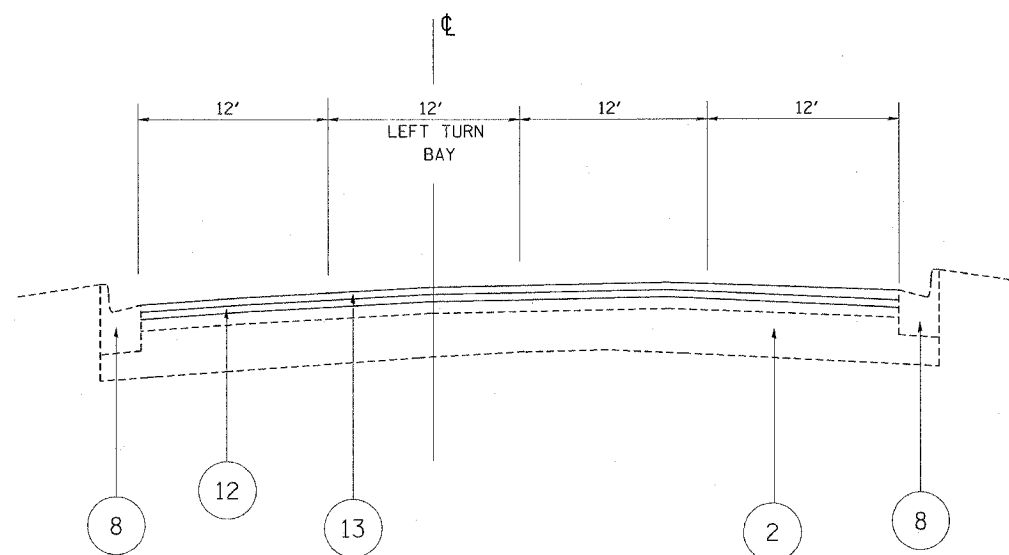


F.A.P. RTE.	SECTION	COUNTY	TOTAL SHEETS	SHEET NO.
338	112 N-2	DU PAGE	42	8
STA.		TO STA.		
FED. ROAD DIST. NO.	ILLINOIS	FED. AID PROJECT		



BATAVIA ROAD
EXISTING TYPICAL SECTION
STA. 3+59 TO STA. 7+40



BATAVIA ROAD
EXISTING TYPICAL SECTION
STA. 3+59 TO STA. 7+40

LEGEND

- ① EXISTING P.C.C. PAVEMENT (7")
- ② EXISTING HMA PAVEMENT (13")
- ③ EXISTING HMA PAVEMENT (16")
- ④ EXIST. SUB-BASE GRANULAR MATERIAL
- ⑤ EXISTING HMA WIDENING (9")
- ⑥ EXISTING HMA OVERLAY (±14")
- ⑦ EXISTING STABILIZED SHOULDER (8")
- ⑧ EXISTING COMB. CONCRETE CURB & GUTTER, TYPE B-6.24
- ⑨ PROPOSED MEDIAN REMOVAL PARTIAL DEPTH (±4 1/2")
- ⑩ EXISTING BARRIER MEDIAN
- ⑪ PROPOSED HMA SURFACE REMOVAL, 3"
- ⑫ PROPOSED LEVELING BINDER (MACHINE METHOD), N70, 1 1/4"
- ⑬ PROPOSED POLYMERIZED HMA SURFACE COURSE MIX F, N90, 1 3/4"

REVISIONS		ILLINOIS DEPARTMENT OF TRANSPORTATION
NAME	DATE	
		IL. 59 AT BATAVIA RD. TYPICAL CROSS SECTIONS
SCALE		DRAWN BY
11/28/2007		CHECKED BY