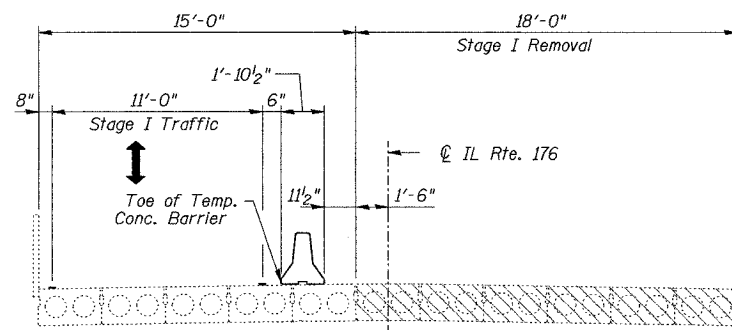


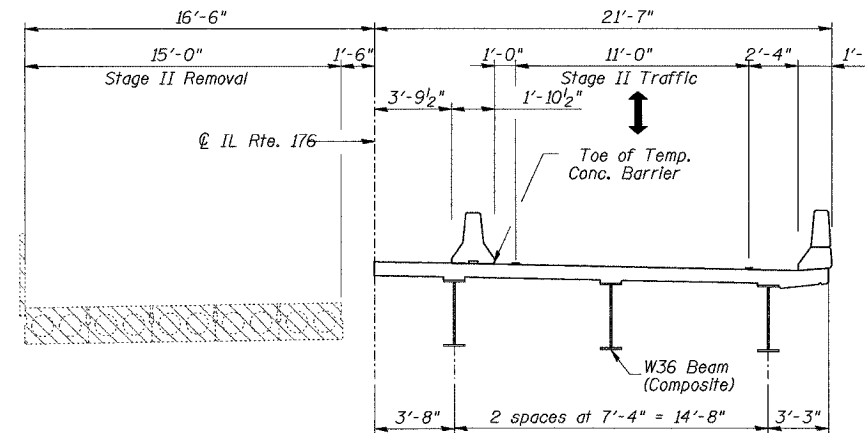
ROUTE NO.	SECTION	COUNTY	SHEET NO.	SHEET
533	119R-2B	McHenry	64	17
FED. ROAD DIST.		ILLINOIS	FED. AID PROJECT	

SHEET NO. 3 OF
21 SHEETS

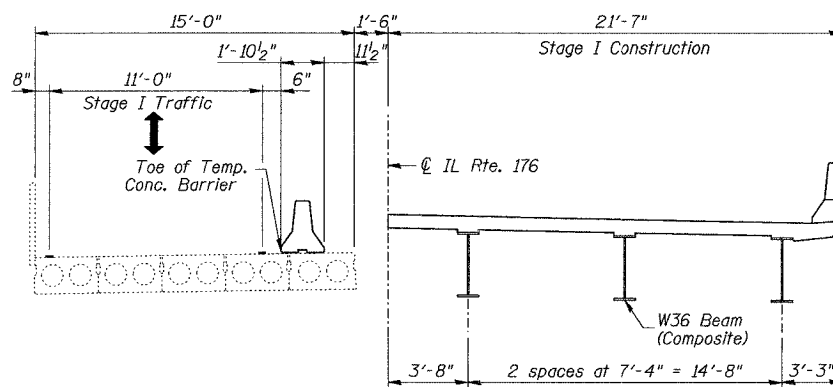
Contract #62336



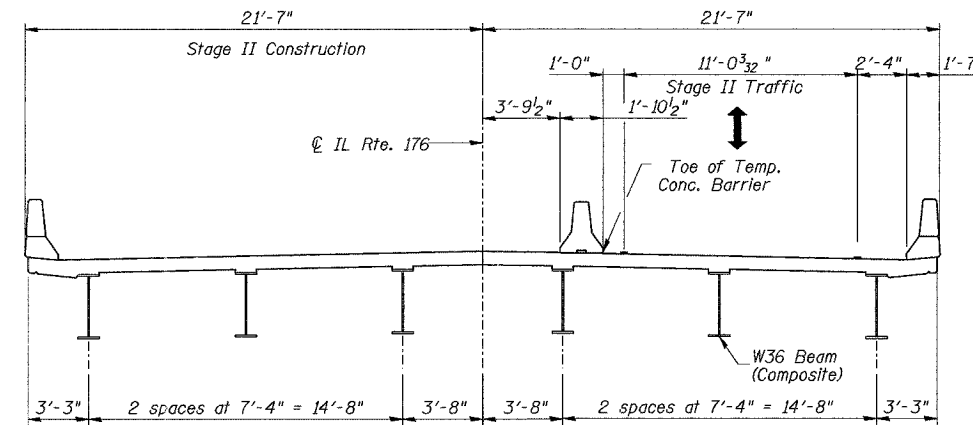
STAGE I REMOVAL
(Looking East)



STAGE II REMOVAL
(Looking East)



STAGE I CONSTRUCTION
(Looking East)



STAGE II CONSTRUCTION
(Looking East)

Note:
The Stage Construction Line at the substructure is in a different location than at the superstructure. See Sheet 15 of 21 for the Stage Construction Line at the substructure.

DESIGNED	J.Z.
CHECKED	S.D.H.
DRAWN	M.S.M.
CHECKED	S.D.H.

CONSTRUCTION STAGING
IL Route 176 over the Kishwaukee River
F.A.P. RTE 533, SECTION 119R-2B
McHENRY COUNTY
STATION 10+00.00
S.N. 056-0078
DATE: 10-05-07
GRAEF, ANHALT, SCHLOEMER & ASSOCIATES INC
CHICAGO ILLINOIS

P:\p28\2006\1017\chore work\refma\bridge\1056-005-S-03.dgn 10/7/2007 10:08:24 AM

D:\p28\2006\1017\chore work\refma\bridge\1056-005-S-03.dgn 10/7/2007 10:08:24 AM