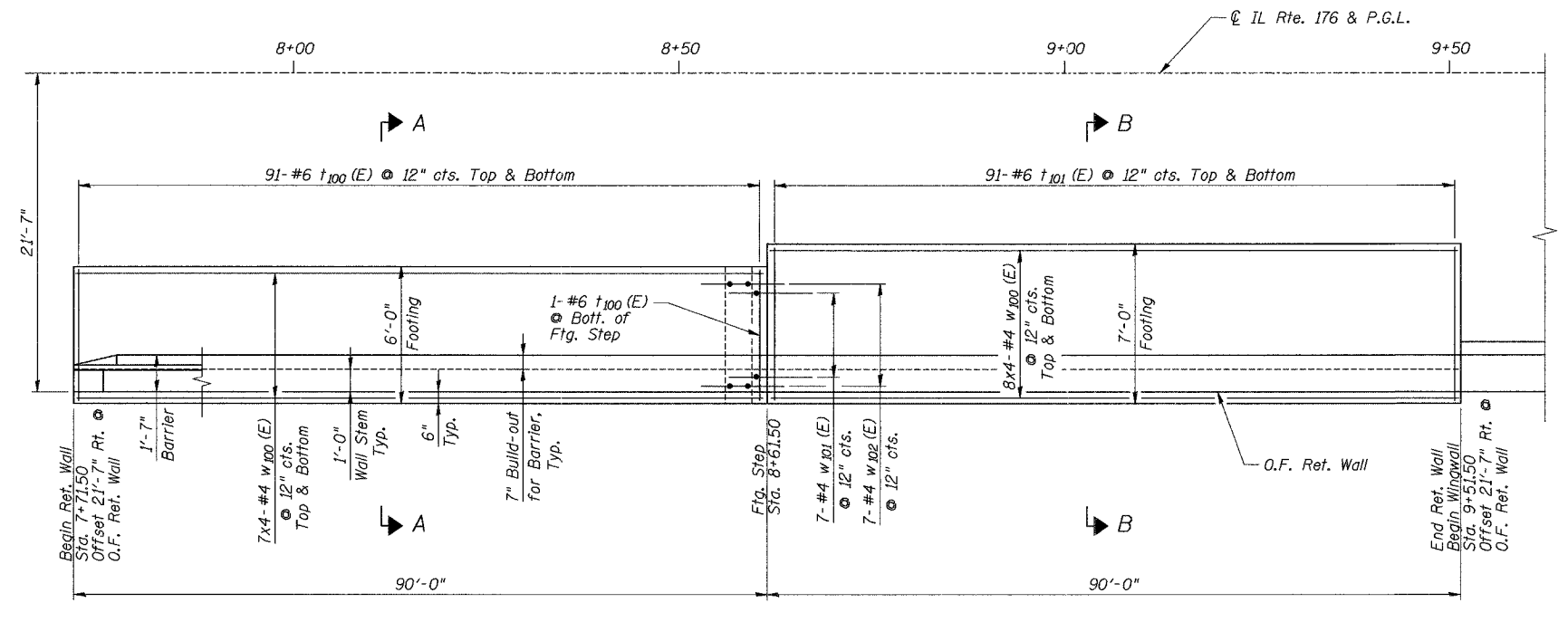
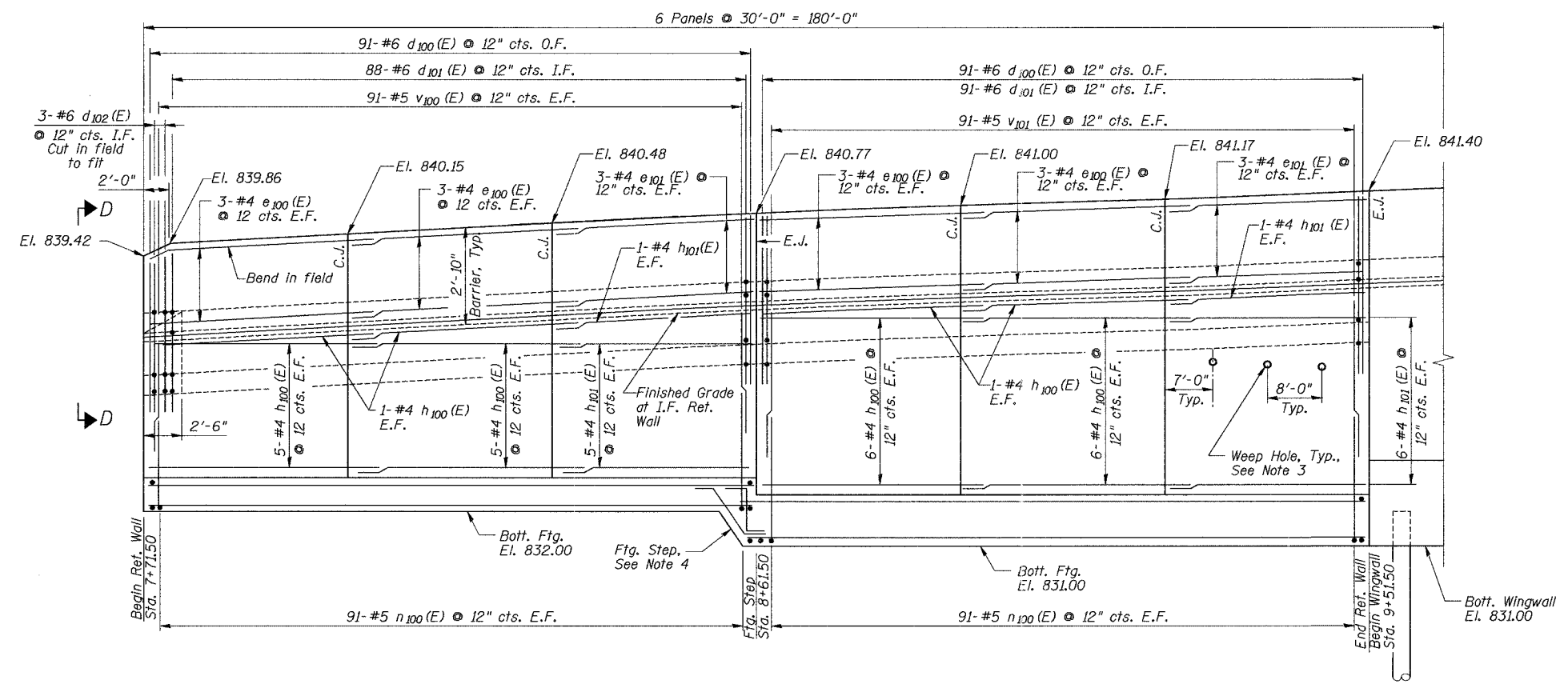


ROUTE NO.	SECTION	COUNTY	TOTAL SHEETS	SHEET NO.	SHEET NO. 5 OF 12 SHEETS
533	119R-2B	McHenry	64	48	
FED. ROAD DIST.		ILLINOIS		FED. AID PROJECT-	
Contract #62336					



- Notes:**
- E.J.= Expansion Joint
C.J.= Construction Joint
For Joint Details, see Sheet 8 of 12.
 - For Sections A-A & B-B and View D-D, see Sheet 8 of 12.
 - Place Weep Hole so that bottom of hole is 1'-0" above Finished Grade at the O.F. Ret. Wall. Place in Wall Panel adjacent to Wingwall only.
 - For Footing Step Detail, see Sheet 8 of 12.
 - Bars indicated thus 8x3-#4 etc, indicates 8 lines of bars with 3 lengths per line.
 - Minimum lap lengths:
#4 = 1'-8"
#4 = 2'-5" (top bars)
#5 = 2'-2"
#6 = 2'-7"

SOUTHWEST RETAINING WALL
S.N. 056-W012
PLAN AND ELEVATION
IL Route 176 over the Kishwaukee River
F.A.P. RTE 533, SECTION 119R-2B
McHENRY COUNTY
STA. 7+71.50 TO STA. 13+48.50
DATE: 10-05-07
GRAEF, ANHALT, SCHLOEMER & ASSOCIATES INC
CHICAGO ILLINOIS

DESIGNED	S.D.H.
CHECKED	J.A.Z.
DRAWN	M.S.M.
CHECKED	S.D.H.

n:\jbs2006\plot\chore work\pre\final\RetWall\056-0005-S-5.dgn
 10/23/07 10:42:51 AM